

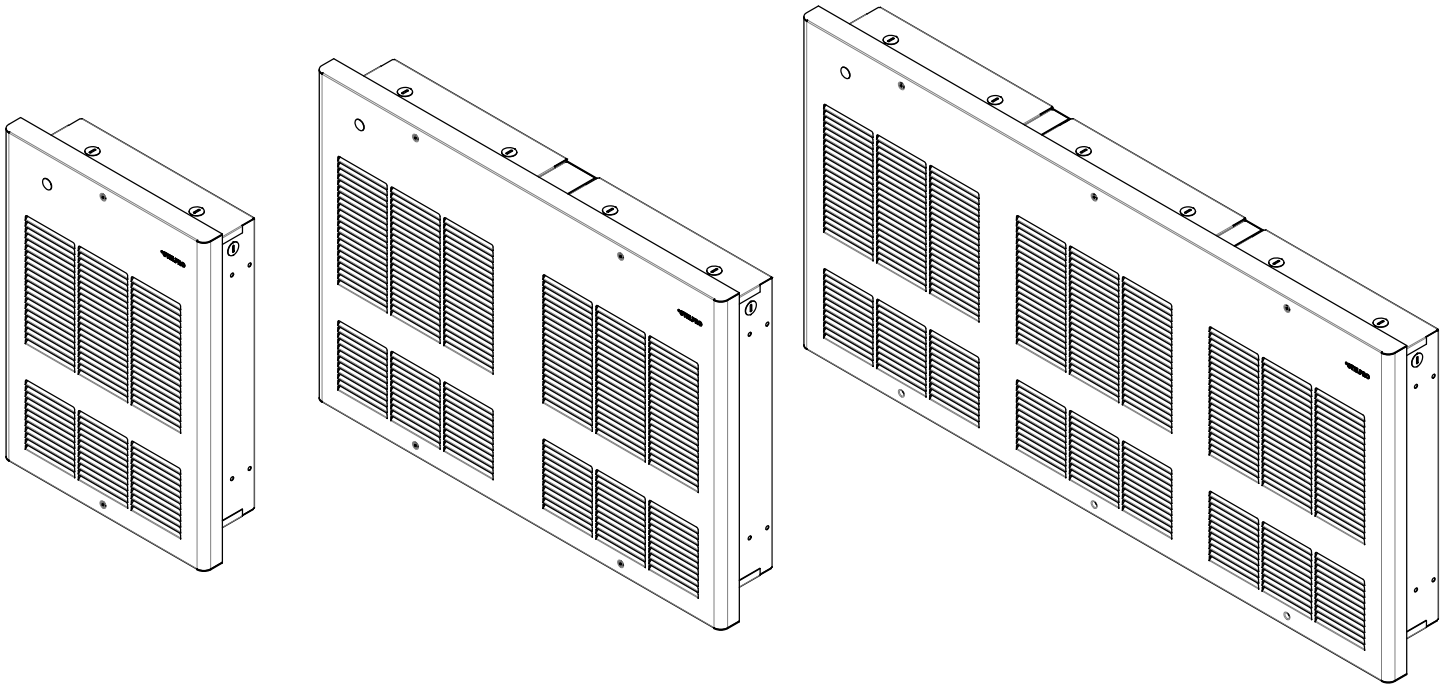


USER'S GUIDE

AWF/ACF SERIES

WALL/CEILING AEROCONVECTOR

REPLACEMENT COMPONENT LIST INCLUDED



SPECIFICATIONS

AWF SERIES – WITHOUT CONTROL					
UNIT	TYPE	WATTS	VOLTS	KG	LB
SIMPLE	AWF1501	1500	120	9	20
SIMPLE	AWF1502	1500	240	9	20
SIMPLE	AWF2002	2000	240	9	20
SIMPLE	AWF3002	3000	240	9	20
SIMPLE	AWF4002	4000/2000	240	9	20
SIMPLE	AWF4802	4800	240	9	20
SIMPLE	AWF1508	1500	208	9	20
SIMPLE	AWF2008	2000	208	9	20
SIMPLE	AWF3008	3000	208	9	20
SIMPLE	AWF4008	4000/2000	208	9	20
SIMPLE	AWF4808	4800	208	9	20
SIMPLE	AWF1507	1500	277	9	20
SIMPLE	AWF2007	2000	277	9	20
SIMPLE	AWF3007	3000	277	9	20
SIMPLE	AWF4007	4000/2000	277	9	20
SIMPLE	AWF4807	4800	277	9	20

ACF SERIES – WITHOUT CONTROL					
UNIT	TYPE	WATTS	VOLTS	KG	LB
SIMPLE	ACF1501	1500	120	9	20
SIMPLE	ACF1502	1500	240	9	20
SIMPLE	ACF2002	2000	240	9	20
SIMPLE	ACF3002	3000	240	9	20
SIMPLE	ACF4002	4000/2000	240	9	20
SIMPLE	ACF1508	1500	208	9	20
SIMPLE	ACF2008	2000	208	9	20
SIMPLE	ACF3008	3000	208	9	20
SIMPLE	ACF4008	4000/2000	208	9	20
SIMPLE	ACF1507	1500	277	9	20
SIMPLE	ACF2007	2000	277	9	20
SIMPLE	ACF3007	3000	277	9	20
SIMPLE	ACF4007	4000/2000	277	9	20

Add **W** for white, **SW** for soft white, **S** for silver or **SS** for stainless steel

Add **W** for white, **SW** for soft white, **S** for silver or **SS** for stainless steel

Several other models with control are available in higher voltages and wattages. For a complete model list, consult our online catalog at www.stelpro.com

IMPORTANT INSTRUCTIONS



WARNING

Before installing and operating this product, the user and/or installer must read, understand and follow these instructions and keep them handy for future reference. If these instructions are not followed, the warranty will be considered null and void and the manufacturer deems no further responsibility for this product.

This product must be installed by a qualified person and connected by a **certified electrician**, according to the **electrical and building codes** effective in your region.

The following instructions must be adhered to in order to avoid personal injuries or property damages, serious injuries and potentially fatal electric shocks.

Protect the heating unit with the appropriate circuit breaker or fuse, in accordance with the nameplate.

Make sure the line voltage (volt) is consistent with that indicated on the unit's nameplate.

This unit must be **grounded**.

Switch off the power at the circuit breaker/fuse before installing, repairing and cleaning the unit.

Make sure the unit is appropriate for the intended use (if needed, refer to the product catalog or a representative). Use this heater only as described in this manual. Any other use not recommended by the manufacturer may cause fire, electric shock, or injury to persons. Do not use outdoors.

RECOMMENDED HEATING CAPACITY: 1.25 W/cubic foot (0.03 m³)

It corresponds to **10 W/square foot (0.09 m²)** based on a standard ceiling height of 8 feet (2.44 m). The recommended capacity is usually sufficient for normal heating needs. Please note that the insulation quality of walls and windows are some of the factors that influence heat losses, which modify the required capacity to heat a room. If needed, refer to a specialist (industrial and commercial buildings) who will be able to calculate these heat losses and optimize the required capacity or consult the "Online heating calculation" section of the Stelpro Design Web site (residential buildings). To heat a large room and to increase your comfort, it is recommended to install several units instead of one. For example, 2 X 1000 W rather than 1 X 2000 W.

Do not install the unit where objects or pieces of furniture could be heat damaged.

If the unit capacity is insufficient for the size of the room, it will be in operation continuously, and may become defective earlier and turn yellow.

Respect distances and positions indicated in the installation section.

If the installer or the user modifies the unit, he will be held responsible for any damage resulting from this modification, and the CSA certification could be void.

This unit must not come into contact with a water source and must be protected from splashes. Do not use it if any part has been immersed.

When mounting the unit, make sure that the anchorage used can support the total weight of the unit with the mounting brackets.

When cutting or drilling into a wall or a ceiling, do not damage electrical wiring and other hidden utilities.

When starting up the unit for the first time or after a long period, it is normal that it produces some temporary odours and whitish smoke.

Because this unit is hot when in use, it may pose risks even in normal operation. Therefore, be **careful** and **responsible** when using it. To avoid burns, do not let bare skin touch hot surfaces. The unit must cool down for few minutes since it will stay warm for some time after shut-down. Extreme caution is necessary when any heater is used by or near children or invalids and whenever the heater is left operating and unattended.

This unit must be installed at least **6 inches (15.2 cm)** from surrounding walls and **6 inches (15.2 cm)** from the floor. The triple unit must be installed at least **12 inches (30.4 cm)** from surrounding walls and **8 inches (20.32 cm)** from the floor.

CAUTION – High Temperature, risk of fire, keep electrical cords, drapery, furnishings, and other combustibles at least 3 feet (0.9 m) from the front of the heater and away from the side and rear.

Do not install on a wall behind a door.

Never block air vents (with objects or other items). You risk damaging the heater and the obstruction could lead to electric shock or overheating, which could result in a fire.

Do not insert or allow foreign objects to enter any air vent as this may cause electric shocks, fires, or damages to the unit.

This unit has hot and arcing or sparking parts inside. It is not designed to be used or stored in wet areas or areas containing flammable liquids, combustible materials or corrosive, abrasive, chemical, explosive and flammable substances such as, but not limited to, gasoline, paint, chlorine, sawdust and cleaning products.

Some areas are dustier than others. Thus, it is the user's responsibility to evaluate if the unit **must be cleaned** based on the amount of dirt accumulated on and inside air vents. Accumulated dirt can lead to a component malfunction or discoloration (yellow). It may cause a fire hazard if not installed and maintained in accordance with these instructions.

The thermal protection activation indicates that the unit has been subjected to abnormal operating conditions. If the thermal protection remains activated or activates and deactivates repeatedly, it is recommended that a qualified electrician or a certified repair centre examine the unit in order to make sure it is not damaged. (Refer to the limited warranty)

Before unplugging the unit, all controls must be in the "OFF" position and the current from the main breaker panel should be cut. (The general switch may be used also, if included.) If the unit is damaged or defective, discontinue use, cut off power supply at circuit breaker and contact a certified electrician or certified repair centre. (Refer to the limited warranty)

Make sure that all the electrical connections have been secured and made properly. Pull each wire to ensure it is not loose in the connector or the terminal board as this may cause a fire.

If an option must be added, make sure it has been approved by Stelpro. This way, it will ensure that it has been tested in accordance with our safety rules and that an appropriate installation has been planned into the unit.

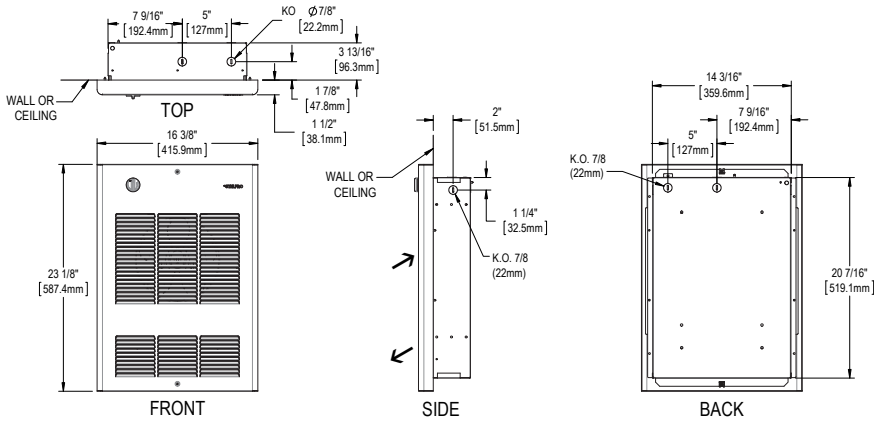
SAVE THESE INSTRUCTIONS

Note: When a part of the product specification must be changed to improve operability or other functions, priority is given to the product specification itself. In such instances, the instruction manual may not entirely match all the functions of the actual product. Therefore, the actual product and packaging, as well as the name and illustration, may differ from the manual.

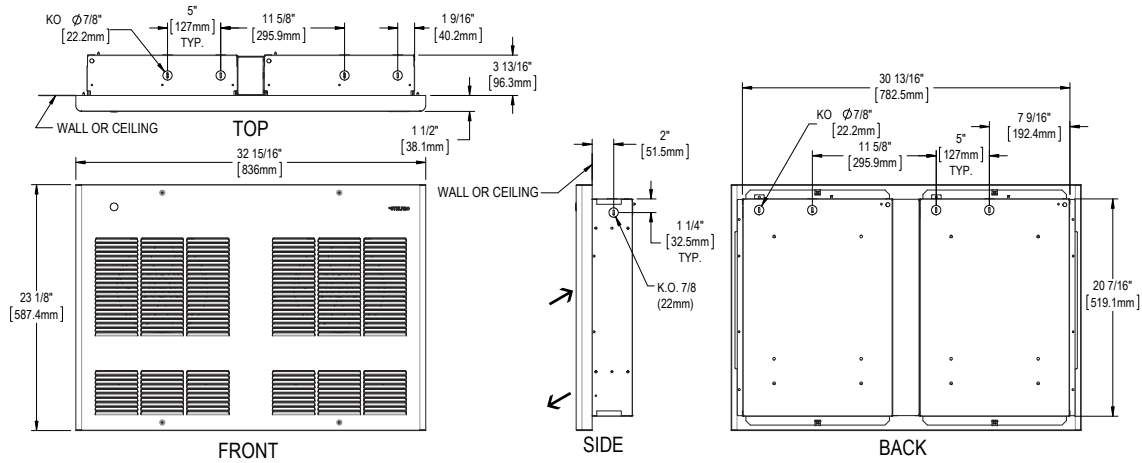
TECHNICAL DRAWINGS

TECHNICAL DRAWINGS

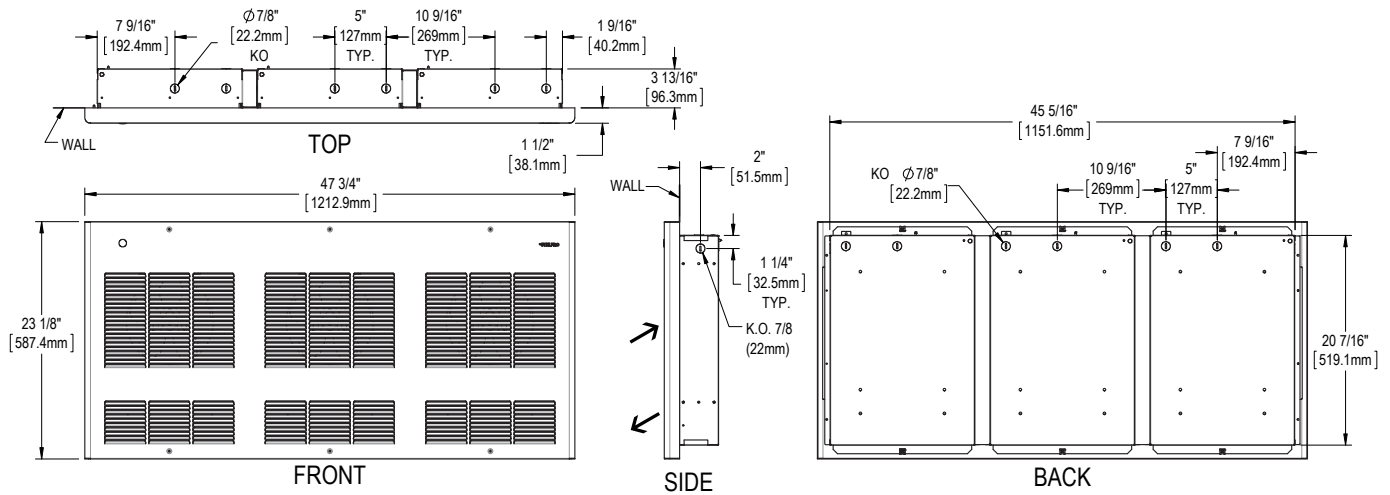
SIMPLE UNIT



DOUBLE UNIT



TRIPLE UNIT



INSTALLATION

N.B. Cut off power supply at circuit breaker/fuse before proceeding to the installation and wiring connections. This product must be connected by a certified electrician, according to the electrical and building codes effective in your region. Consult the wiring plan found on the unit.

To reduce the risk of fire, do not store or use gasoline or other flammable vapors and liquids in the vicinity of the heater. Do not mount in contact with combustible material. Do not mount in close proximity to another unit.

Keep the front and upper sides of the unit at least 3 feet (91 cm) from any adjacent surfaces. Moreover, make sure objects or pieces of furniture such as, but not limited to, blankets, towels, beds, laundry baskets, clothing, papers, electric wires and other flammable items, do not come into contact with the unit and keep them at least 3 feet (91 cm) from the unit. Failure to comply with this warning could lead to a fire. Some materials are more heat-sensitive than others, so make sure those near the unit can withstand heat.

When the unit is recessed, the flanged shoulders must rest on the finished surface of the wall or ceiling.

WARNINGS

1. Recessed and surface installation of AWF units (wall mounting) must meet the minimum distances for single and double units (see figures 1 and 2). For ACF units (ceiling mounting), must be installed at no less than 12" (305 mm) from adjacent walls and between 8' (244 cm) and 10' (305 cm) from the floor (see figure 4).
2. Triple units must meet a minimum distance of **12 inches (305 mm)** from surrounding walls and **8 inches (203 mm)** from the floor. For recessed installation opening for triple units, see figure 3.
3. Recessed structure requirement on outside walls for AWF (wall mounting) and ACF (ceiling mounting) units is the same as for a window structure (refer to the applicable building codes effective in your area).
4. For surface installation, put a wooden plate at the back of the gypsum in order to fix the unit to the wall securely. For the wooden plate dimensions, refer to the opening for the recessed application (see figures 2 and 3). Use the same dimensions for ceiling application (ACF).

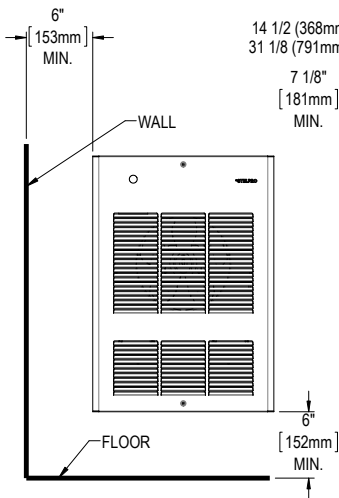


FIG. 1

FRONT
SURFACE INSTALLATION
SINGLE AND DOUBLE UNIT
SURFACE ADAPTOR REQUIRED

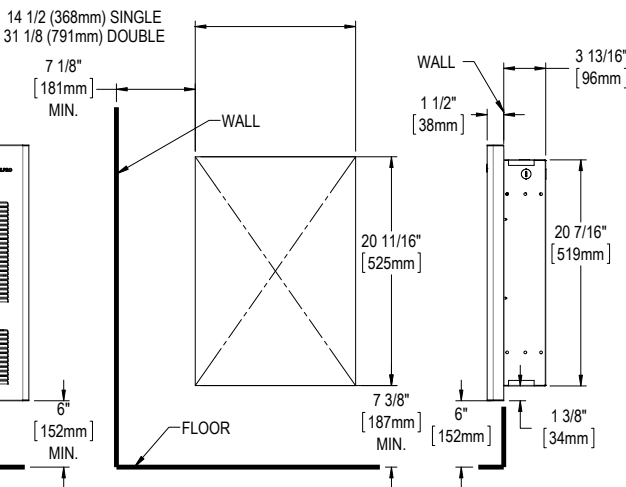


FIG. 2

OPENING
RECESSED INSTALLATION
SINGLE AND DOUBLE UNIT

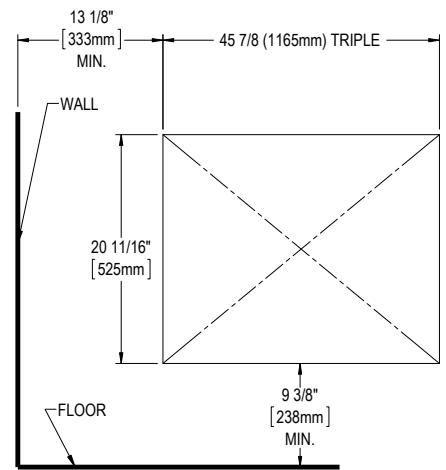


FIG. 3

OPENING
RECESSED INSTALLATION
TRIPLE UNIT

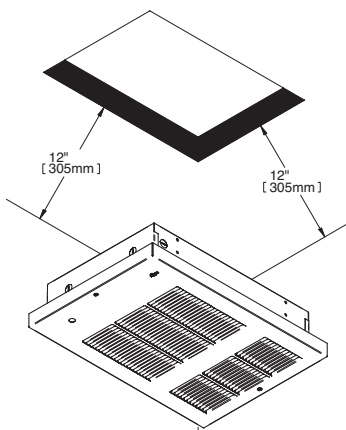


FIG. 4

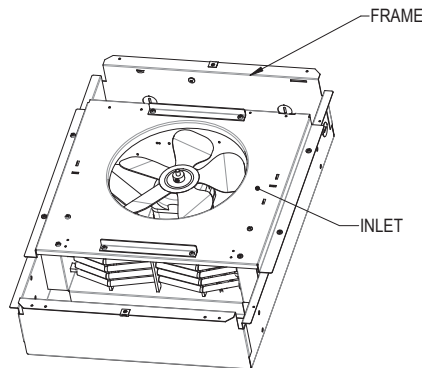


FIG. 5

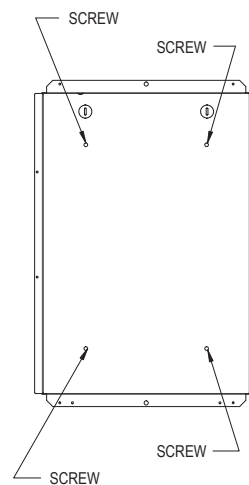


FIG. 6

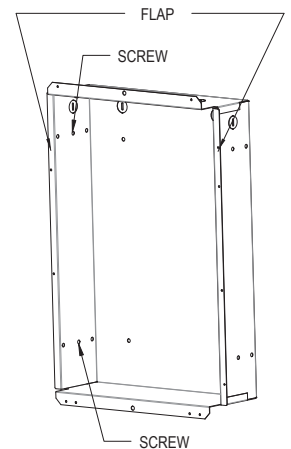


FIG. 7

INSTALLATION

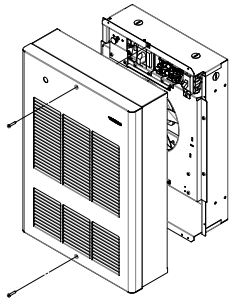
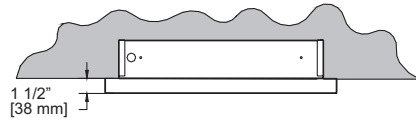
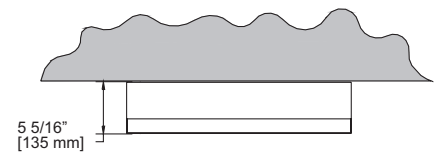


FIG. 8

SEE PREVIOUS PAGE FOR WARNINGS



RECESSED CASING



SURFACE ADAPTOR BOX
WITH FRONT COVER

SURFACE INSTALLATION

1. Make sure you use the proper sleeve surface depending on the device you are installing: WFSA1 (single units), WFSA2 (double units), WFSA3 (triple units).
2. Unscrew the two (2) screws holding the grille (see figure 8) and remove.
3. Remove the inlet of the frame (see figure 5) by unscrewing the four (4) screws.
4. Open the KO to be used and insert the wire with connector.
5. Place the frame against the wall, level and tighten with four (4) wood screws (not included) into the holes provided for this purpose (see figure 6).
6. Replace the inlet, make the required electrical connections. Insert the sleeve surface into the grille and put back (see figures 5 and 8).

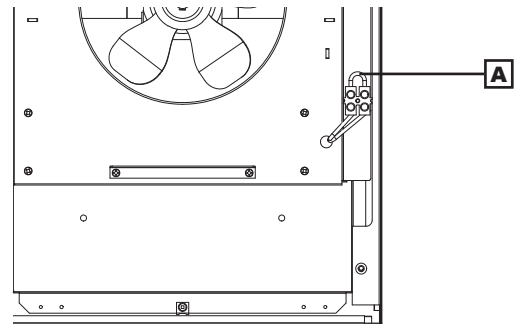
RECESSED INSTALLATION

1. The opening in the wall must be made in accordance with acceptable standards (see figures 2 and 3, and Warning).
2. Unscrew the two (2) screws holding the grille (see figure 8).
3. Remove the inlet of the frame (see figure 5) by unscrewing the four (4) screws.
4. Open the KO to be used and insert the wire with connector.
5. Insert the frame into the opening, press the flap against the wall. Screw in wood screws (not included) in the left and the right studs, through holes provided for this purpose (see figure 7).
6. Replace the inlet, make the required electrical connections and replace the grille.

SELECTING THE POWER

WARNING: risk of electric shock or fire hazard.
Modification must be done by qualified electrician.
Turn off power at the circuit breaker panel before switching the wattage.

To reduce the full factory wired wattage output by half, remove the jumper [A] to switch from 4000W to 2000W.



OPERATION, MAINTENANCE & TROUBLESHOOTING

OPERATION

WARNING : the unit must be properly installed before being used.

MAINTENANCE

All other repairs and maintenance other than those described in this guide should be performed by qualified service personnel. In order for the warranty to be valid, the unit must be cleaned regularly. Cut off power supply at circuit breaker/ fuse and wait for the unit to cool down before cleaning.

Use a soft rag for dusting. When cleaning, use only a damp rag and non-abrasive dish soap. If you use a cleaning product, always wipe the product off properly to avoid the discoloration of the unit. Do not use abrasive or chemical cleaners because they may damage the finishing. If the unit is used in a very dusty location, use a vacuum brush to remove dust and other foreign objects from the grilles. If needed, vacuum out the dust inside the unit. Note that cigarette smoke could yellow the discharge grille and that the best way to prevent it is to clean the unit on a regular basis.

Do not use cleaning products identified with these symbols:



N.B. There is electrical current linked to the unit even if the thermostat is set to "OFF". This means that there is a risk of electric shock as long as the unit is energized.

TROUBLESHOOTING

PROBLEM	DEFECTIVE PART OR PART TO CHECK
The unit does not work	<ul style="list-style-type: none"> • The circuit breaker is in the OFF position or removed fuse • Defective thermostat or wrong thermostat setting • Activated thermal protection • Faulty connections • Burned fuse link
The unit runs continuously	<ul style="list-style-type: none"> • Defective thermostat or wrong thermostat setting • Heat losses higher than the unit capacity
The enclosure is extremely hot	<ul style="list-style-type: none"> • Defective thermal protection • Blocked air vents
The desired ambient temperature can never be reached	<ul style="list-style-type: none"> • One or more elements are defective • Defective thermostat or wrong thermostat setting • Voltage lower than that written on the nameplate • Heat losses higher than the unit capacity
Overheating	<ul style="list-style-type: none"> • Defective thermostat or wrong thermostat setting
The unit cycles under control of the thermal protection (overheat indicator)	<ul style="list-style-type: none"> • Blocked air vents • Defective motor
The breaker trips when the heater is turned on	<ul style="list-style-type: none"> • Faulty connections • Voltage higher than that written on the nameplate

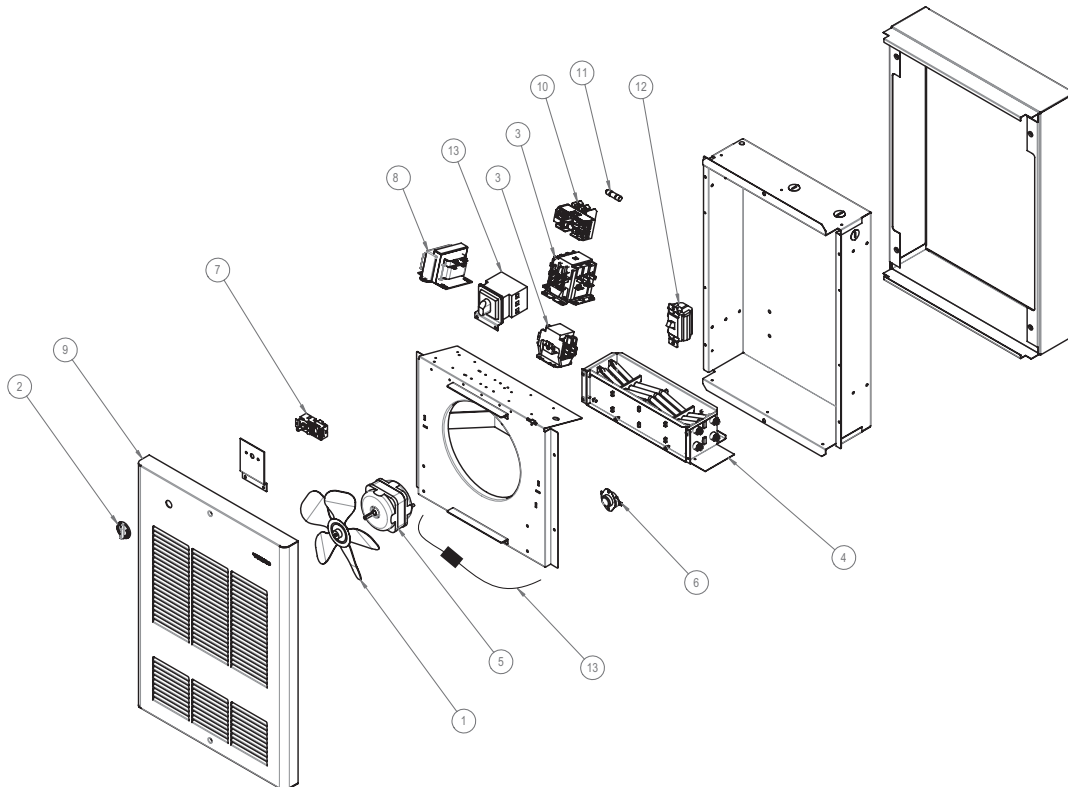
N.B. If you do not solve the problem after checking these points, cut off the power supply at the main electrical panel and contact our customer service (see the "Limited warranty" section to obtain the phone numbers).

REPLACEMENT COMPONENT LIST

REF #	PART #	DESCRIPTION
1	AWF/ACF	BLA-003 FAN BLADE 8"
2	AWF/ACF	BOUT-019 THERMOSTAT BUTTON, WHITE
2	AWF/ACF	BOUT-020 THERMOSTAT BUTTON, BLACK
2	AWF/ACF	BOUT-021 THERMOSTAT BUTTON, ALMOND
3	AWF/ACF	CONT-3002 CONTACTOR 2P/24V/30A RESISTIVE
3	AWF/ACF	CONT-3022 CONTACTOR 2P/240-208V/30A RESISTIVE
3	AWF/ACF	CONT-3503 CONTACTOR 3P/24V/35A RESISTIVE
3	AWF/ACF	CONT-4023 CONTACTOR 3P/240-208V/40A RESISTIVE
3	AWF/ACF	CONT-5002 CONTACTOR 2P/24V/50A RESISTIVE
3	AWF/ACF	CONT-5023 CONTACTOR 2P/240-208V/50A RESISTIVE
4	AWF/ACF	ELF-WF1502 ELEMENT ASSEMBLY WF1502
4	AWF/ACF	ELF-WF1503 ELEMENT ASSEMBLY WF1503
4	AWF/ACF	ELF-WF1506 ELEMENT ASSEMBLY WF1506
4	AWF/ACF	ELF-WF1507 ELEMENT ASSEMBLY WF1507
4	AWF/ACF	ELF-WF2002 ELEMENT ASSEMBLY WF2002
4	AWF/ACF	ELF-WF2003 ELEMENT ASSEMBLY WF2003
4	AWF/ACF	ELF-WF2006 ELEMENT ASSEMBLY WF2006
4	AWF/ACF	ELF-WF2007 ELEMENT ASSEMBLY WF2007
4	AWF/ACF	ELF-WF2008 ELEMENT ASSEMBLY WF2008
4	AWF/ACF	ELF-WF3002 ELEMENT ASSEMBLY WF3002
4	AWF/ACF	ELF-WF3003 ELEMENT ASSEMBLY WF3003
4	AWF/ACF	ELF-WF3006 ELEMENT ASSEMBLY WF3006
4	AWF/ACF	ELF-WF3007 ELEMENT ASSEMBLY WF3007
4	AWF/ACF	ELF-WF4002 ELEMENT ASSEMBLY WF4002
4	AWF/ACF	ELF-WF4003 ELEMENT ASSEMBLY WF4003
4	AWF/ACF	ELF-WF4006 ELEMENT ASSEMBLY WF4006
4	AWF/ACF	ELF-WF4007 ELEMENT ASSEMBLY WF4007
4	AWF/ACF	ELF-WF4008 ELEMENT ASSEMBLY WF4008
4	AWF/ACF	ELF-WF4802 ELEMENT ASSEMBLY WF4802
4	AWF/ACF	ELF-WF4803 ELEMENT ASSEMBLY WF4803
4	AWF/ACF	ELF-WF4805 ELEMENT ASSEMBLY WF4805
4	AWF/ACF	ELF-WF4806 ELEMENT ASSEMBLY WF4806
4	AWF/ACF	ELF-WF4807 ELEMENT ASSEMBLY WF4807
4	AWF/ACF	ELF-WF4808 ELEMENT ASSEMBLY WF4808
5	AWF/ACF	MO-016 MOTOR 208/240V 50/60HZ 0.4A
6	AWF/ACF	PROT-006 THERMAL PROTECTION L150-40F
6	AWF/ACF	PROT-007 THERMAL PROTECTION L200-40F

REF #	PART #	DESCRIPTION
7	AWF/ACF	ST-007 THERMOSTAT SP 125-250-277V/25A, 600V/10A
7	AWF/ACF	ST-013 THERMOSTAT DP 125-250-277V/25A, 600V/10A
7	AWF/ACF	ST-017 THERMOSTAT SP 240/347/600V 22/11/10A
8	AWF/ACF	TRF200040D TRANSFORMER 208-240/24/40VA CL2
8	AWF/ACF	TRF300040 TRANSFORMER 347/24/40VA CL2
8	AWF/ACF	TRF320025 TRANSFORMER 347/240/25VA
8	AWF/ACF	TRF500025D TRANSFORMER 240-480/12-24/25VA
8	AWF/ACF	TRF520025 TRANSFORMER 480/240/25VA
8	AWF/ACF	TRF520100 TRANSFORMER 480/240/100VA
8	AWF/ACF	TRF600040 TRANSFORMER 600/24/40VA CL2
8	AWF/ACF	TRF620025 TRANSFORMER 600/240/25VA
8	AWF/ACF	TRF620100 TRANSFORMER 600/240/100VA
8	AWF/ACF	TRF700025 TRANSFORMER 277/240/25VA
8	AWF/ACF	TRF720025 TRANSFORMER 277/240/25VA
8	AWF/ACF	TRF720100 TRANSFORMER 277/240/100VA
9	AWF*	M-WF112Z WF-1 COVER
9	AWF*	M-WF212Z WF-2 COVER
9	AWF*	M-WF312Z WF-3 COVER
9	ACF*	M-CF112Z CF-1 COVER
9	ACF*	M-CF212Z CF-2 COVER
9	ACF*	M-CF312Z CF-3 COVER
10	AWF/ACF	HOLD-005 FUSE HOLDER 2 POLES 30A 600V TYPE CC
11	AWF/ACF	FS-005 FUSE 15A CLASS CC 600V T.D.
11	AWF/ACF	FS-024 FUSE, 25A, 600V AC CLASS CC, TIME DELAY
12	AWF/ACF	SWI-027 MOTOR SWITCH 600V/30A, 2 POLES
12	AWF/ACF	SWI-028 DISCONNECT SWITCH 600V/40A 2POLES/3POLES
12	AWF/ACF	SWI-029 DISCONNECT SWITCH 600V/60A 2POLES/3POLES
13	ACF	FLK-AWF01 FUSE LINK - 117C (KIT) AWF01
13	AWF	FLK-AWF02 FUSE LINK - 84C (KIT) AWF02
13	AWF/ACF	FLK-AWF03 FUSE LINK - 104C (KIT) AWF03

*Add **W** for white, **SW** for soft white, **S** for silver or **SS** for stainless steel



LIMITED WARRANTY

This limited warranty is offered by Stelpro Design inc. ("Stelpro") and applies to the following products made by Stelpro: models AWF and ACF. **Please read this limited warranty carefully. Subject to the terms of this warranty**, Stelpro warrants its products and their components against defects in workmanship and/or materials for the following periods from the date of purchase: **3 years**. This warranty applies only to the original purchaser; it is non-transferable and cannot be extended.

CLAIM PROCEDURE

If at any time during the warranty period the unit becomes defective, you must cut off the power supply at the main electrical panel and contact 1) your installer or distributor, 2) your service center or 3) Stelpro's customer service department. In all cases, you must have a **copy of the invoice** and provide the **information written on the product nameplate**. Stelpro reserves the right to examine or to ask one of its representatives to examine the product itself or any part of it before honoring the warranty. Stelpro reserves the right to **replace** the entire unit, **refund** its purchase price or **repair** a defective part. Please note that repairs made within the warranty period must be authorized in advance in writing by Stelpro and carried out by persons authorized by Stelpro.

Before returning a product to Stelpro, you must have a Stelpro authorization number (RMA). To obtain it, call the customer service department at: **1-800-363-3414** (electricians and distributors - French), **1-800-343-1022** (electricians and distributors - English), or **1-866-766-6020** (consumers). The authorization number must be clearly written on the parcel or it will be refused.

CONDITIONS, EXCLUSIONS AND DISCLAIMER OF LIABILITY

This warranty is exclusive and in lieu of all other representations and warranties (except of title), expressed or implied, and Stelpro expressly disclaims and excludes any implied warranty of merchantability or implied warranty of fitness for a particular purpose.

Stelpro's liability with respect to products is limited as provided above. Stelpro shall not be subject to any other obligations or liabilities whatsoever, whether based on contract, tort or other theories of law, with respect to goods or services furnished by it, or any undertakings, acts or omissions relating thereto. Without limiting the generality of the foregoing, Stelpro expressly disclaims any liability for property or personal injury damages, penalties, special or punitive damages, damages for lost profits, loss of use of equipment, cost of capital, cost of substitute products, facilities or services, shutdowns, slowdowns, or for other types of economic loss or for claims of a dealer's customers or any third party for such damages. Stelpro specifically disclaims all consequential, incidental and contingent damages whatsoever.

This warranty does not cover any damages or failures resulting from: 1) a faulty installation or improper storage; 2) an abusive or abnormal use, lack of maintenance, improper maintenance (other than that prescribed by Stelpro) or a use other than that for which the unit was designed; 3) a natural disaster or an event out of Stelpro's control, including, but not limited to, hurricanes, tornadoes, earthquakes, terrorist attacks, wars, overvoltage, flooding, water damages, etc. This warranty does not cover any accidental or intentional losses or damages nor does it cover damages caused by negligence of the user or owner of the product. Moreover, it does not cover the cost of disconnection, transport, and installation.

The warranty is limited to the repair or the replacement of the unit or the refund of its purchase price, **at the discretion of Stelpro**. Any parts replaced or repaired within the warranty period with the written authorization of Stelpro will be warranted for the remainder of the original warranty period. This warranty will be considered null and void and Stelpro will have the right to refuse any claims if **products have been altered** without the written authorization of Stelpro and if the nameplate numbers have been removed or modified. This warranty does not cover scratches, dents, corrosion or discoloration caused by excessive heat, chemical cleaning products and abrasive agents. It does not cover any damage that occurred during the shipping.

Some states and provinces do not allow the exclusion or limitation of incidental or consequential damages and some of them do not allow limitations on how long an implied warranty lasts, so these exclusions or limitations may not apply to you. This warranty gives you specific legal rights and you may have other rights which vary from state to state or from province to province.