

ASSOS⁺ | SONOMA™ STYLE

WALL FAN HEATER

TEMPORARILY UNAVAILABLE



SONOMA[™] STYLE

Compatible avec
Compatible with

Allia



ADD STYLE TO YOUR COMFORT

The Sonoma Style wall fan heater will add a touch of style to your heating with its sleek design, minimalist front cover and state-of-the-art, integrated, smart home-ready thermostat. This quiet but fast heating solution is perfect for any room. With the same footprint as most popular models, the Sonoma Style offers easy one-screw cover installation. Its impact-resistant facade makes it a safe and sustainable choice. Designed with the user experience in mind, the Sonoma Style fan heater provides optimal comfort to any room.

INNOVATIVE AND UNIQUE DESIGN

ADDS STYLE TO ANY DECOR
HIGHLY SECURE FACADE

INTEGRATED, SMART HOME-READY THERMOSTAT AVAILABLE

VERY QUIET FAN HEATER

CAN BE INSTALLED IN A CHILD'S
BEDROOM

QUICK AND EASY INSTALLATION

EASILY RETROFITS MOST POPULAR
MODELS

COLOR

- white

FINISH

- epoxy-polyester powdercoat

MANUFACTURING

- 22-gauge steel cabinet and 20-gauge steel facade
- thermal protection with manual reset
- additional thermal protection with a thermal fuse (must be replaced if triggered)

ELEMENT

- nichrome element produces instant heat

CONTROL

- built-in electronic thermostat (optional)
- built-in MAESTRO smart thermostat (optional)
- wall thermostat (not included) – the use of an electronic thermostat is strongly recommended

INSTALLATION

- recessed
- wall mounted with surface adapter (optional)

WARRANTY

- five years, *three years on electronic components

IDEAL FOR:

bedroom, living room, kitchen, hallway, bathroom

ACCESSORIES

PRODUCT	DESCRIPTION
ASSOBB6	back box (6)
ASSOSAW	surface adapter (white)

°STELPRO

Stelpro reserves the right to modify descriptions, manufacturing specifications or prices without prior notice. No returns accepted on optional-color products. For all the latest models and prices, please refer to our website at www.stelpro.com. * Patent pending



FC_ASSOS_US_050722

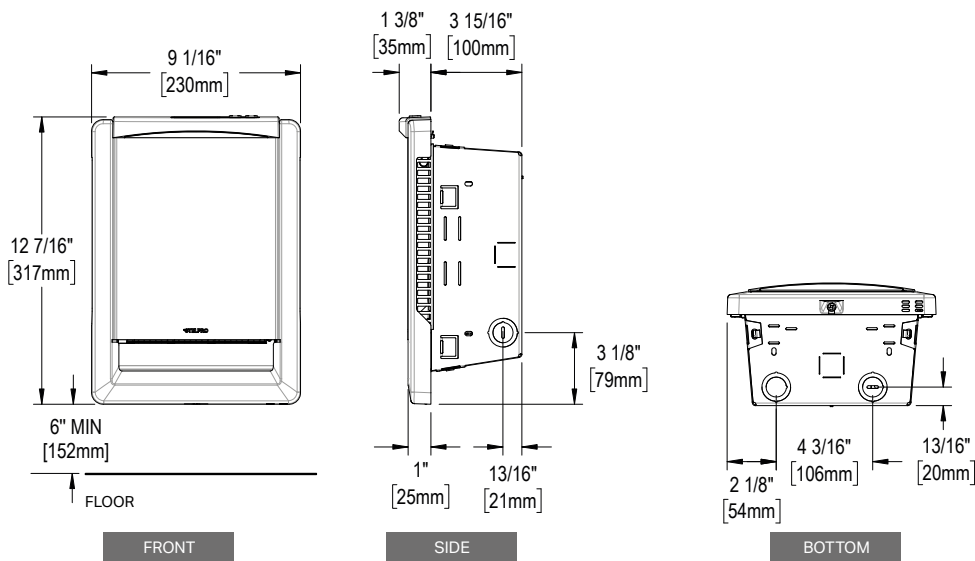


TECHNICAL SPECIFICATIONS

WITHOUT CONTROL			BUILT-IN ELECTRONIC THERMOSTAT			BUILT-IN ALLIA THERMOSTAT			VOLTAGE	HEIGHT	LENGTH	WEIGHT
CODE	WATTS*	BTU/H	CODE	WATTS	BTU/H	CODE	WATTS	BTU/H	VOLTS	IN.	IN.	LB
ASSOS1001WCW	1000 or 500	3413 or 1706	ASSOS1001W	1000	3413	ASSOS1001MW	1000	3413	120	12 7/16	9 1/16	7.2
ASSOS1008WCW	1000 or 500	3413 or 1706	ASSOS1008W	1000	3413	ASSOS1008MW	1000	3413	208	12 7/16	9 1/16	7.2
ASSOS1002WCW	1000/500 or 750/375	3413/1706 or 2560/1280	ASSOS1002W	1000/750	3413/2560	ASSOS1002MW	1000/750	3413/2560	240/208	12 7/16	9 1/16	7.2

Add WBB for unit without back box (available for U.S. market only).
 *Choice of power at installation for models without control only

TECHNICAL DRAWINGS



BUILT-IN THERMOSTAT

CONTROL THE TEMPERATURE OF YOUR HOME FROM YOUR



zigbee
 compatible controller required

Compatible avec
 Compatible with **Allia**
WORKS WITH SmartThings

For home automated system compatibilities and instructions on connecting to your thermostat. Refer to www.stelpro.com.