

ASSOH | SONOMA™ HORIZON

WALL FAN HEATER

TEMPORARILY UNAVAILABLE



SONOMA™ HORIZON



THE CLASSIC FAN-HEATER OPTION

The Sonoma Horizon fan heater sets the bar high for optimal comfort. This quiet but fast heating solution is perfect for any room. Its impact-resistant facade makes it a safe and sustainable choice. Easy to install, the Sonoma Horizon fan heater retrofits most popular models and gives your room a classic touch.

QUICK AND EASY INSTALLATION

RETROFITS MOST POPULAR
RECESSED MODELS

VERY QUIET FAN HEATER

CAN BE INSTALLED IN A CHILD'S
BEDROOM

DESIGNED WITH THE USER EXPERIENCE IN MIND

CONTROLS LOCATED AT
THE TOP OF THE UNIT

OPTIMAL SAFETY

INTEGRATED THERMAL CUTOFF
IMPACT-RESISTANT FACADE

FAST COMFORT

RAPID TEMPERATURE RISE

COLOR

- white

FINISH

- epoxy-polyester powdercoat

MANUFACTURING

- 22-gauge steel cabinet and 20-gauge steel grille
- thermal protection with manual reset
- additional thermal protection with a thermal fuse (must be replaced if triggered)

ELEMENT

- nichrome element produces instant heat

CONTROL

- built-in thermostat (optional)
- wall thermostat (not included) – the use of an electronic thermostat is strongly recommended

INSTALLATION

- recessed

WARRANTY

- five years

IDEAL FOR:

hallway, lobby, bedroom, living room, kitchen, office

ACCESSORY

PRODUCT	DESCRIPTION
ASSOBB6	back box (6)

°STELPRO

Stelpro reserves the right to modify descriptions, manufacturing specifications or prices without prior notice. No returns accepted on optional-color products. For all the latest models and prices, please refer to our website at www.stelpro.com.



FC_ASSOH_US_050722

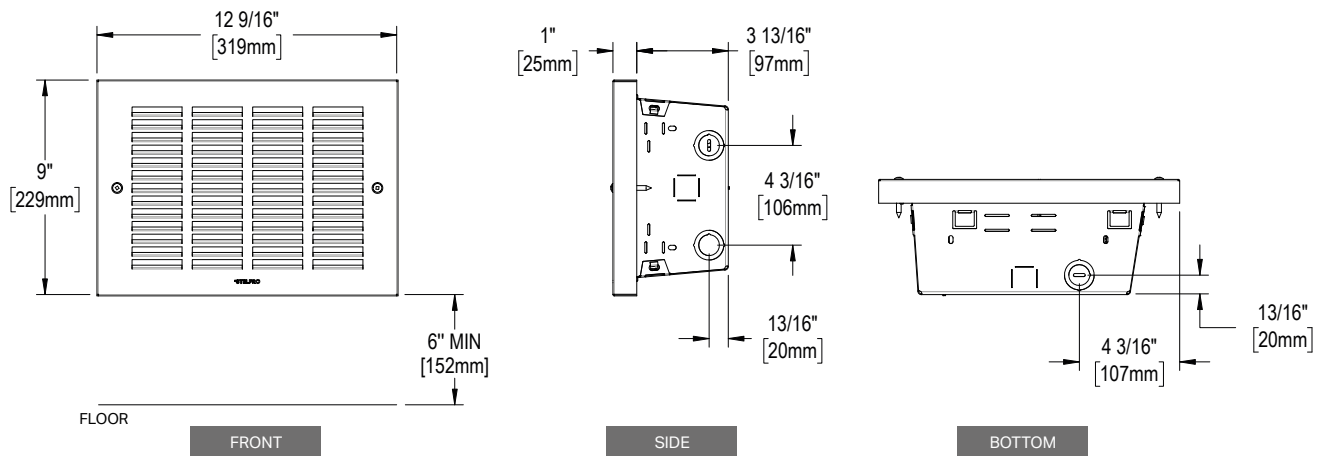


TECHNICAL SPECIFICATIONS

WITHOUT CONTROL	BUILT-IN THERMOSTAT	VOLTAGE	POWER*		HEIGHT	LENGTH	WEIGHT
CODE	CODE	VOLTS	WATTS	BTU/H	IN.	IN.	LB
ASSOH1001WCW	ASSOH1001T2W	120	1000 or 500	3413 or 1706	9	12 9/16	7.3
ASSOH1008WCW	ASSOH1008T2W	208	1000 or 500	3413 or 1706	9	12 9/16	7.3
ASSOH1002WCW	ASSOH1002T2W	240/208	1000/750 or 500/375	3413/2560 or 1706/1280	9	12 9/16	7.3
ASSOH1501WCW	ASSOH1501T2W	120	1500 or 750	5119 or 2560	9	12 9/16	7.3
ASSOH1502WCW	ASSOH1502T2W	240/208	1500/1125 or 750/560	5119/3839 or 2560/1911	9	12 9/16	7.3
ASSOH2008WCW	ASSOH2008T2W	208	2000 or 1000	6825 or 3413	9	12 9/16	7.3
ASSOH2002WCW	ASSOH2002T2W	240/208	2000/1500 or 1000/750	6825/5119 or 3413/2560	9	12 9/16	7.3

Add WBB for unit without back box (available for U.S. market only).
 *Choice of power at installation

TECHNICAL DRAWINGS



Stelpro reserves the right to modify descriptions, manufacturing specifications or prices without prior notice. No returns accepted on optional-color products.
 For all the latest models and prices, please refer to our website at www.stelpro.com.