

ASK

CEILING FAN HEATER



HEAT FROM ABOVE

The ASK ceiling fan heater silently beams down heat from above. This unique model is ideal for rooms where wall space is limited. In bathrooms, the ASK can be installed just outside the shower or bathtub. With its ceiling-recessed casing, the ASK is an excellent way to provide discreet air circulation. The result: uniform heating and air movement, and reduction in mirror and window fog. By adding a wall timer, you can use it on demand.

CEILING MOUNTED

IDEAL FOR ROOMS WITH LIMITED WALL SPACE

HEATING ON DEMAND

OPTIONAL WALL TIMER

COMPACT AND QUIET

COLORS

- **standard:** white, soft white
- **Orora (optional):** refer to www.stelpro.com/en-US/Orora

FINISH

- epoxy-polyester powdercoat

MANUFACTURING

- 22-gauge steel cabinet and 1/4 in. (6.4 mm) deep 20-gauge steel front grille
- easy access for maintenance (no screws)

THERMAL PROTECTION

- thermal protection with automatic reset

ELEMENT

- nichrome element produces instant heat

CONTROL

- built-in thermostat (optional)
- wall thermostat (not included) – the use of an electronic thermostat is strongly recommended
- 60 minute timer (optional)

INSTALLATION

- ceiling mounted (recommended height 8 ft., maximum 9 ft.)
- surface mounted with surface adapter (optional)
- recessed or surface mounted with adapter for suspended ceiling (optional)
- unit can be mounted parallel or perpendicular to ceiling beams
- approved to be recessed in mineral wool; for all other materials please check with insulating product manufacturer

WARRANTY

- five years

IDEAL FOR:

bathroom, entryway, daycare centre, room with limited wall space

°STELPRO

Stelpro reserves the right to modify descriptions, manufacturing specifications or prices without prior notice. No returns accepted on optional-color products. For all the latest models and prices, please refer to our website at www.stelpro.com.



FC_SK_US_051222

TECHNICAL SPECIFICATIONS

PRODUCT	POWER		VOLTAGE	PHASE	FLOW	THROW DISTANCE	HEAT RISE	WEIGHT
	CODE	WATTS	BTU/H	VOLTS	NB	CFM	FT.	°F
ASK0501	500	1706	120	1	60	8	26	11
ASK0508	500	1706	208	1	60	8	26	11
ASK0502	500/375	1706/1280	240/208	1	60	8	26	11
ASK0751	750	2560	120	1	60	8	39	11
ASK0758	750	2560	208	1	60	8	39	11
ASK0752	750/560	2560/1911	240/208	1	60	8	39	11
ASK1001	1000	3413	120	1	60	8	53	11
ASK1008	1000	3413	208	1	60	8	53	11
ASK1002	1000/750	3413/2560	240/208	1	60	8	53	11
ASK1251	1250	4266	120	1	60	8	66	11
ASK1258	1250	4266	208	1	60	8	66	11
ASK1252	1250/940	4266/3208	240/208	1	60	8	66	11
ASK1501	1500	5119	120	1	60	8	79	11
ASK1508	1500	5119	208	1	60	8	79	11
ASK1502	1500/1125	5119/3839	240/208	1	60	8	79	11
---	2000	6825	120	1	90	10'6"	70	11
---	2000	6825	208	1	90	10'6"	70	11
ASK2002	2000/1500	6825/5119	240/208	1	90	10'6"	70	11

Add W for white or SW for soft white (consult the optional colors chart or contact your Stelpro representative for all other colors).
 --- not available

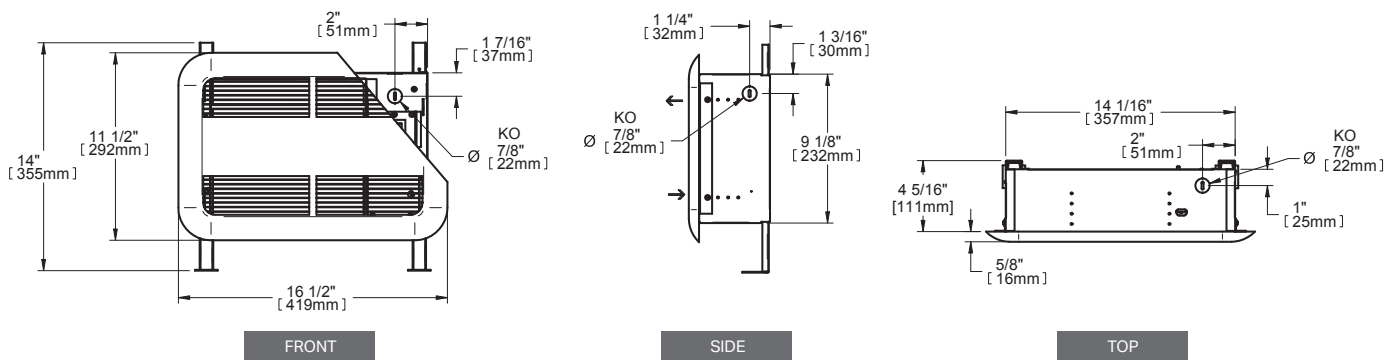
ACCESSORIES

PRODUCT	DESCRIPTION
SKT1*	tamper-proof built-in thermostat [120 V-347 V] (grille must be removed to access this type of thermostat)
SKTBA*	adapter for suspended ceiling (2 ft. x 2 ft.) – recessed or surface mounted with surface adapter (not included)
SKSA*	surface adapter (ASK model)
SKDIS250*	disconnect switch [120 V-250 V] [17 A @ 120 V-12 A @ 250 V]
SKDIS600*	disconnect switch [277 V-600 V]
FD60MCW70	60-minute wall timer [120 V-277 V]
SKRE153T*	built-in electronic low voltage relay c/w transformer 24 V [15 A @ 208 V-347 V]

* Add W for white or SW for soft white
 * Factory installed



TECHNICAL DRAWINGS



Stelpro reserves the right to modify descriptions, manufacturing specifications or prices without prior notice. No returns accepted on optional-color products.
 For all the latest models and prices, please refer to our website at www.stelpro.com.