

ASHU | OXFORD™

COMMERCIAL AND INDUSTRIAL UNIT HEATER



OXFORD™
SERIES | SÉRIE



THE POWER OF DISPERSION

Stelpro designs heaters for all circumstances. Take the ASHU, the large volume heater that is distinguished by its appealing appearance, its manufacturing and its sturdy composition. It is usually installed in large garages, but it is not uncommon for it to be seen in warehouses or any other kind of commercial construction site requiring a generous volume of heat. The ASHU works with great ease and has an incredible power scale from 2 kW to 60 kW. What could be better!

INSTANT HEAT

PERMANENTLY LUBRICATED MOTOR

WIDE RANGE OF POWER: 2 KW TO 60 KW

WALL OR CEILING INSTALLATION BRACKET INCLUDED

COLOR

- charcoal

FINISH

- epoxy-polyester powdercoat

MANUFACTURING

- heavy-duty, 18-gauge steel cabinet
- adjustable louvers and protective screen
- thermal protection with automatic reset

MOTOR

- permanently enclosed lubricated ball bearing motor for long-lasting operation

ELEMENT

- nichrome element produces instant heat

CONTROL

- connection of multiple units to the same thermostat is possible with a relay kit without transformer (optional) and an external transformer (not provided)

INSTALLATION

- wall or ceiling mounted with universal mounting bracket (included)
- minimum distance from adjacent walls: 6 in. (2 kW to 30 kW units), 12 in. (40 kW to 60 kW units)
- maximum mounting heights: 8 ft. (2 kW to 10 kW units), 10 ft. (15 kW to 30 kW units), 15 ft. (40 kW to 60 kW units)

WARRANTY

- three years

IDEAL FOR:

warehouse, factory, indoor parking garage, large industrial and commercial spaces

°**STELPRO**

Stelpro reserves the right to modify descriptions, manufacturing specifications or prices without prior notice. No returns accepted on optional-color products. For all the latest models and prices, please refer to our website at www.stelpro.com.



FC_SHU_US_240822

TECHNICAL SPECIFICATIONS

WITHOUT CONTROL	BUILT-IN THERMOSTAT	240 V CONTROL	24 V CONTROL	VOLTAGE	POWER	FLOW	
CODE	CODE	CODE	CODE	VOLTS	KW	BTU/H	CFM
ASHU0281CHAR	ASHU0281TCHAR	ASHU0281CCHAR	ASHU0281C24CHAR	208	2	6825	250
---	ASHU0283CTCHAR*	ASHU0283CCHAR*	ASHU0283C24CHAR*	208	2	6825	250
ASHU0221CHAR	ASHU0221TCHAR	ASHU0221CCHAR	ASHU0221C24CHAR	240/208	2/1.5	6825/5119	250
---	ASHU0223CTCHAR*	ASHU0223CCHAR*	ASHU0223C24CHAR*	240/208	2/1.5	6825/5119	250
ASHU0271CHAR	ASHU0271TCHAR	ASHU0271CCHAR	ASHU0271C24CHAR	277	2	6825	250
---	ASHU0251CTCHAR	ASHU0251CCHAR	ASHU0251C24CHAR	480	2	6825	250
---	ASHU0253CTCHAR*	ASHU0253CCHAR*	ASHU0253C24CHAR*	480	2	6825	250
---	ASHU0261CTCHAR	ASHU0261CCHAR	ASHU0261C24CHAR	600	2	6825	250
---	ASHU0263CTCHAR*	ASHU0263CCHAR*	ASHU0263C24CHAR*	600	2	6825	250
ASHU0381CHAR	ASHU0381TCHAR	ASHU0381CCHAR	ASHU0381C24CHAR	208	3	10 238	250
---	ASHU0383CTCHAR*	ASHU0383CCHAR*	ASHU0383C24CHAR*	208	3	10 238	250
ASHU0321CHAR	ASHU0321TCHAR	ASHU0321CCHAR	ASHU0321C24CHAR	240/208	3/2.3	10 238/7679	250
---	ASHU0323CTCHAR*	ASHU0323CCHAR*	ASHU0323C24CHAR*	240/208	3/2.3	10 238/7679	250
ASHU0371CHAR	ASHU0371TCHAR	ASHU0371CCHAR	ASHU0371C24CHAR	277	3	10 238	250
---	ASHU0351CTCHAR	ASHU0351CCHAR	ASHU0351C24CHAR	480	3	10 238	250
---	ASHU0353CTCHAR*	ASHU0353CCHAR*	ASHU0353C24CHAR*	480	3	10 238	250
---	ASHU0361CTCHAR	ASHU0361CCHAR	ASHU0361C24CHAR	600	3	10 238	250
---	ASHU0363CTCHAR*	ASHU0363CCHAR*	ASHU0363C24CHAR*	600	3	10 238	250
ASHU0481CHAR	ASHU0481TCHAR	ASHU0481CCHAR	ASHU0481C24CHAR	208	4	13 651	250
---	ASHU0483CTCHAR*	ASHU0483CCHAR*	ASHU0483C24CHAR*	208	4	13 651	250
ASHU0421CHAR	ASHU0421TCHAR	ASHU0421CCHAR	ASHU0421C24CHAR	240/208	4/3	13 651/10 238	250
---	ASHU0423CTCHAR*	ASHU0423CCHAR*	ASHU0423C24CHAR*	240/208	4/3	13 651/10 238	250
ASHU0471CHAR	ASHU0471TCHAR	ASHU0471CCHAR	ASHU0471C24CHAR	277	4	13 651	250
---	ASHU0451CTCHAR	ASHU0451CCHAR	ASHU0451C24CHAR	480	4	13 651	250
---	ASHU0453CTCHAR*	ASHU0453CCHAR*	ASHU0453C24CHAR*	480	4	13 651	250
---	ASHU0461CTCHAR	ASHU0461CCHAR	ASHU0461C24CHAR	600	4	13 651	250
---	ASHU0463CTCHAR*	ASHU0463CCHAR*	ASHU0463C24CHAR*	600	4	13 651	250
---	ASHU0581TCHAR	ASHU0581CCHAR	ASHU0581C24CHAR	208	5	17 064	450
---	ASHU0583CTCHAR*	ASHU0583CCHAR*	ASHU0583C24CHAR*	208	5	17 064	450
ASHU0521CHAR	ASHU0521TCHAR	ASHU0521CCHAR	ASHU0521C24CHAR	240/208	5/3.8	17 064/12 798	450
---	ASHU0523CTCHAR*	ASHU0523CCHAR*	ASHU0523C24CHAR*	240/208	5/3.8	17 064/12 798	450
ASHU0571CHAR	ASHU0571TCHAR	ASHU0571CCHAR	ASHU0571C24CHAR	277	5	17 064	450
---	ASHU0551CTCHAR	ASHU0551CCHAR	ASHU0551C24CHAR	480	5	17 064	450
---	ASHU0553CTCHAR*	ASHU0553CCHAR*	ASHU0553C24CHAR*	480	5	17 064	450
---	ASHU0561CTCHAR	ASHU0561CCHAR	ASHU0561C24CHAR	600	5	17 064	450
---	ASHU0563CTCHAR*	ASHU0563CCHAR*	ASHU0563C24CHAR*	600	5	17 064	450
---	ASHU0781CTCHAR	ASHU0781CCHAR	ASHU0781C24CHAR	208	7.5	25 595	700
---	ASHU0783CTCHAR*	ASHU0783CCHAR*	ASHU0783C24CHAR*	208	7.5	25 595	700
---	ASHU0721CTCHAR	ASHU0721CCHAR	ASHU0721C24CHAR	240/208	7.5/5.6	25 595/19 196	700
---	ASHU0723CTCHAR*	ASHU0723CCHAR*	ASHU0723C24CHAR*	240/208	7.5/5.6	25 595/19 196	700
---	ASHU0771CTCHAR	ASHU0771CCHAR	ASHU0771C24CHAR	277	7.5	25 595	700
---	ASHU0751CTCHAR	ASHU0751CCHAR	ASHU0751C24CHAR	480	7.5	25 595	700
---	ASHU0753CTCHAR*	ASHU0753CCHAR*	ASHU0753C24CHAR*	480	7.5	25 595	700
---	ASHU0761CTCHAR	ASHU0761CCHAR	ASHU0761C24CHAR	600	7.5	25 595	700
---	ASHU0763CTCHAR*	ASHU0763CCHAR*	ASHU0763C24CHAR*	600	7.5	25 595	700
---	ASHU1081CTCHAR	ASHU1081CCHAR	ASHU1081C24CHAR	208	10	34 127	700
---	ASHU1083CTCHAR*	ASHU1083CCHAR*	ASHU1083C24CHAR*	208	10	34 127	700
---	ASHU1021CTCHAR	ASHU1021CCHAR	ASHU1021C24CHAR	240/208	10/7.5	34 127/25 595	700
---	ASHU1023CTCHAR*	ASHU1023CCHAR*	ASHU1023C24CHAR*	240/208	10/7.5	34 127/25 595	700
---	ASHU1071CTCHAR	ASHU1071CCHAR	ASHU1071C24CHAR	277	10	34 127	700
---	ASHU1051CTCHAR	ASHU1051CCHAR	ASHU1051C24CHAR	480	10	34 127	700
---	ASHU1053CTCHAR*	ASHU1053CCHAR*	ASHU1053C24CHAR*	480	10	34 127	700
---	ASHU1061CTCHAR	ASHU1061CCHAR	ASHU1061C24CHAR	600	10	34 127	700
---	ASHU1063CTCHAR*	ASHU1063CCHAR*	ASHU1063C24CHAR*	600	10	34 127	700

* Three-phase unit that can be field-converted to a single phase unit
 * Three-phase unit
 --- not available

TECHNICAL SPECIFICATIONS

BUILT-IN THERMOSTAT	240 V CONTROL	24 V CONTROL	VOLTAGE	POWER		FLOW
CODE	CODE	CODE	VOLTS	KW	BTU/H	CFM
ASHU1581CTCHAR	ASHU1581CCHAR	ASHU1581C24CHAR	208	15	51 191	1300
ASHU1583CTCHAR*	ASHU1583CCHAR*	ASHU1583C24CHAR*	208	15	51 191	1300
ASHU1521CTCHAR	ASHU1521CCHAR	ASHU1521C24CHAR	240/208	15/11.3	51 191/38 393	1300
ASHU1571CTCHAR	ASHU1571CCHAR	ASHU1571C24CHAR	277	15	51 191	1300
ASHU1551CTCHAR	ASHU1551CCHAR	ASHU1551C24CHAR	480	15	51 191	1300
ASHU1553CTCHAR*	ASHU1553CCHAR*	ASHU1553C24CHAR*	480	15	51 191	1300
ASHU1561CTCHAR	ASHU1561CCHAR	ASHU1561C24CHAR	600	15	51 191	1300
ASHU1563CTCHAR*	ASHU1563CCHAR*	ASHU1563C24CHAR*	600	15	51 191	1300
ASHU2081CTCHAR	ASHU2081CCHAR	ASHU2081C24CHAR	208	20	68 254	1300
ASHU2083CTCHAR*	ASHU2083CCHAR*	ASHU2083C24CHAR*	208	20	68 254	1300
ASHU2021CTCHAR	ASHU2021CCHAR	ASHU2021C24CHAR	240/208	20/15	68 254/51 191	1300
ASHU2071CTCHAR	ASHU2071CCHAR	ASHU2071C24CHAR	277	20	68 254	1300
ASHU2051CTCHAR	ASHU2051CCHAR	ASHU2051C24CHAR	480	20	68 254	1300
ASHU2053CTCHAR*	ASHU2053CCHAR*	ASHU2053C24CHAR*	480	20	68 254	1300
ASHU2063CTCHAR*	ASHU2063CCHAR*	ASHU2063C24CHAR*	600	20	68 254	1300
ASHU2583CTCHAR*	ASHU2583CCHAR*	ASHU2583C24CHAR*	208	25	85 318	1300
ASHU2553CTCHAR*	ASHU2553CCHAR*	ASHU2553C24CHAR*	480	25	85 318	1300
ASHU2563CTCHAR*	ASHU2563CCHAR*	ASHU2563C24CHAR*	600	25	85 318	1300
ASHU3083CTCHAR*	ASHU3083CCHAR*	ASHU3083C24CHAR*	208	30	102 381	1400
ASHU3053CTCHAR*	ASHU3053CCHAR*	ASHU3053C24CHAR*	480	30	102 381	1400
ASHU3063CTCHAR*	ASHU3063CCHAR*	ASHU3063C24CHAR*	600	30	102 381	1400
ASHU4053CTCHAR*	ASHU4053CCHAR*	ASHU4053C24CHAR*	480	40	136 508	2100
ASHU4063CTCHAR*	ASHU4063CCHAR*	ASHU4063C24CHAR*	600	40	136 508	2100
ASHU5053CTCHAR*	ASHU5053CCHAR*	ASHU5053C24CHAR*	480	50	170 635	2100
ASHU5063CTCHAR*	ASHU5063CCHAR*	ASHU5063C24CHAR*	600	50	170 635	2100
ASHU6053CTCHAR*	ASHU6053CCHAR*	ASHU6053C24CHAR*	480	60	204 762	2100
ASHU6063CTCHAR*	ASHU6063CCHAR*	ASHU6063C24CHAR*	600	60	204 762	2100

* Three-phase unit that can be field-converted to a single phase unit
 * Three-phase unit
 Models also available in 347 V.
 --- not available

ACCESSORIES

PRODUCT	DESCRIPTION
SHUT1	built-in single pole thermostat (capillary)
SHUT2	built-in double pole thermostat (capillary)
SHUFS*	fan switch
SHUDIS*	disconnect switch [80 A]
SHUC24RX*	relay kit without transfo. 24 V (208-240 V except SHU0521/SHU0581)
SHUC24RX-5*	relay kit without transfo. 24 V (277-600 V SHU0521/SHU0581 included)
SHUFS-RCV*	remote control circuit for ventilation mode 240 V

* Factory installed

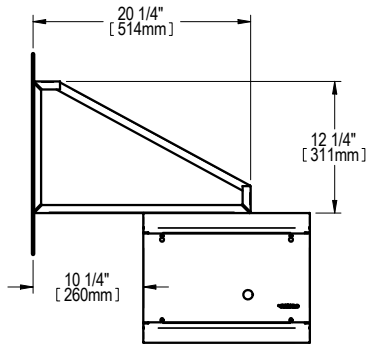
THROW DISTANCE AND HEAT RISE

UNITS	THROW DISTANCE	HEAT RISE
KW	FT	°F
2	28	25
3	28	38
4	28	50
5	31	35
7.5	31	34
10	31	45
15	35	37
20	37	49
25	33'6"	61
30	35	68
40	35	60
50	35	75
60	35	90

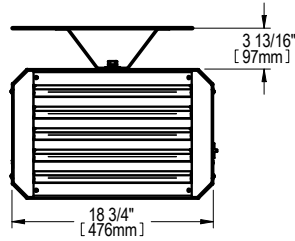
TECHNICAL DRAWINGS

2 KW TO 10 KW UNITS

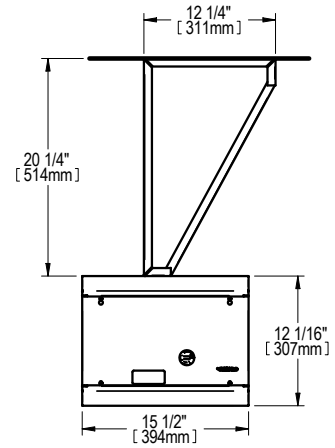
weight: approx. 40 lb



LEFT SIDE



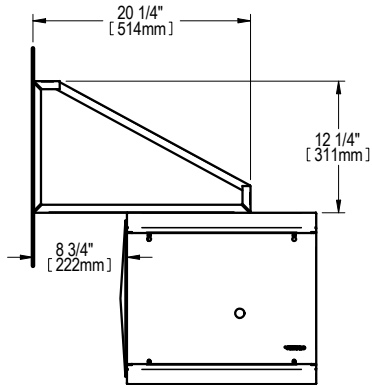
FRONT



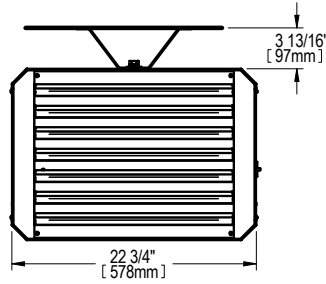
RIGHT SIDE

15 KW TO 30 KW UNITS

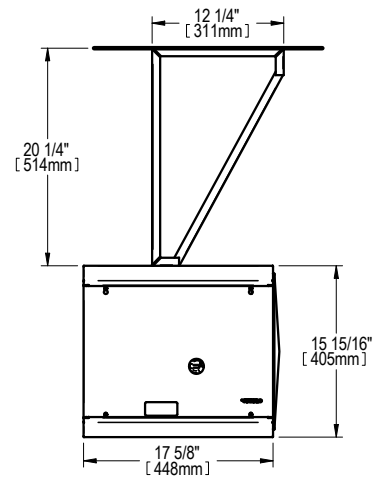
weight: approx. 67 lb



LEFT SIDE



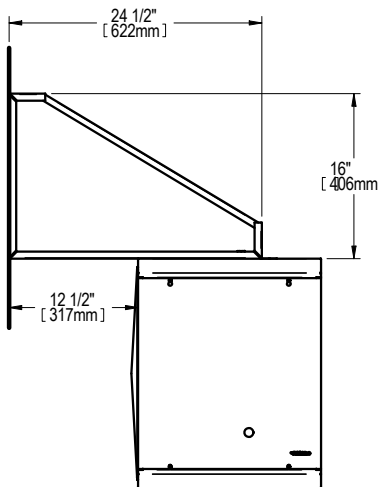
FRONT



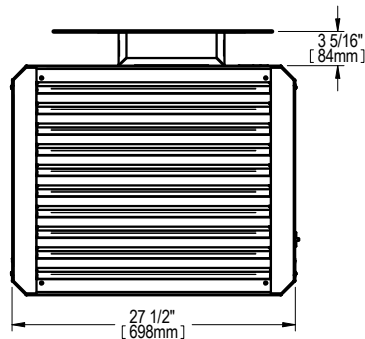
RIGHT SIDE

40 KW TO 60 KW UNITS

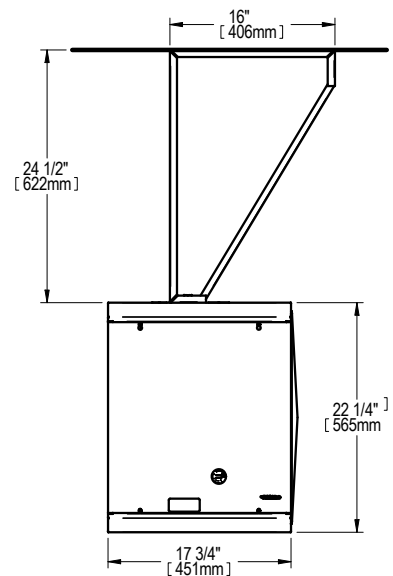
weight: approx. 100 lb



LEFT SIDE



FRONT



RIGHT SIDE