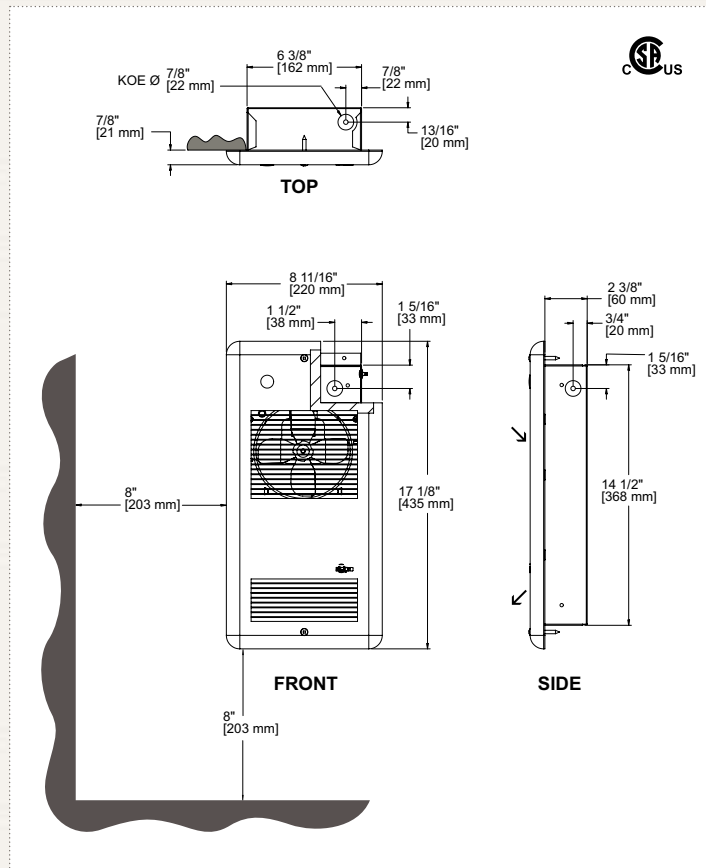


{selection table}

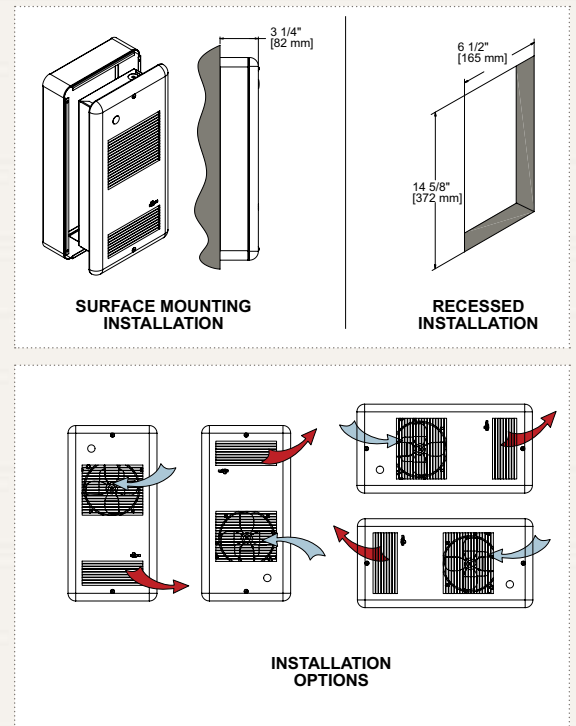
without control	built-in thermostat	24 V control	power	voltage	flow	weight	
code	code	code	watts	volts	cfm	kg	lb
ARWF0501	---	---	500	120	40	2.7	6
ARWF0508	---	---	500	208	40	2.7	6
ARWF0502	---	---	500	240	40	2.7	6
ARWF0507	---	---	500	277	40	2.7	6
---	ARWF0503T	ARWF0503C24	500	347	40	2.7	6
ARWF0751	---	---	750	120	40	2.7	6
ARWF0758	---	---	750	208	40	2.7	6
ARWF0752	---	---	750	240	40	2.7	6
ARWF0757	---	---	750	277	40	2.7	6
---	ARWF0753T	ARWF0753C24	750	347	40	2.7	6
ARWF1001	---	---	500/1000	120	40	2.7	6
ARWF1008	---	---	500/1000	208	40	2.7	6
ARWF1002	---	---	500/1000	240	40	2.7	6
ARWF1007	---	---	1000	277	40	2.7	6
---	ARWF1003T	ARWF1003C24	1000	347	40	2.7	6
ARWF1251	---	---	1250	120	75	2.7	6
ARWF1258	---	---	1250	208	75	2.7	6
ARWF1252	---	---	1250	240	75	2.7	6
ARWF1257	---	---	1250	277	75	2.7	6
---	ARWF1253T	ARWF1253C24	1250	347	75	2.7	6
ARWF1501	---	---	750/1500	120	75	2.7	6
ARWF1508	---	---	750/1500	208	75	2.7	6
ARWF1502	---	---	750/1500	240	75	2.7	6
ARWF1507	---	---	1500	277	75	2.7	6
---	ARWF1503T	ARWF1503C24	1500	347	75	2.7	6
ARWF2002	ARWF2002T2	---	1000/2000	240	75	2.7	6
ARWF2008	---	---	1000/2000	208	75	2.7	6
ARWF2007	---	---	2000	277	75	2.7	6
---	ARWF2003T	ARWF2003C24	2000	347	75	2.7	6

add **W** for white, **A** for almond or **S** for silver
 add **WBB** for units without back box
 --- not available

{technical drawing}



{installation}



ARWF



Let its heat circulate to the heart of your home

Renowned for its shockingly quiet performance, the Pulsair forced-air heater goes virtually unnoticed! Unique in that its only 2 3/8 in. deep, this little heater is the ideal solution for hard-to-heat locations, fitting in just about anywhere you need it to. Whether you are looking to heat your entrance, kitchen, or garage, this heater will no doubt do the job. Available in white, almond and silver finishes, the RWF will blend in anywhere.



{features}

color	white (W), almond (A) or silver (S)
finish	epoxy-polyester powdercoat
manufacturing	<ul style="list-style-type: none"> - 20-gauge steel cabinet - 18-gauge steel grille - quiet fan - 40 cfm (500 to 1000 W models) - 75 cfm (1250 to 2000 W models) - thermal protection with automatic reset
wattage & voltage	see the selection table
element	nichrome element producing instant heat
control	<ul style="list-style-type: none"> - built-in thermostat (not included) - wall thermostat (not included)
installation	<ul style="list-style-type: none"> - wall mounted - recessed (wall thickness 2 to 3 inches) - surface-mounting with surface adapter - optional (not included) - four installation positions (see the installation section)
warranty	<ul style="list-style-type: none"> - 10 years (element) - 1 year (unit)

{accessories}

code	description
RWFT1W	built-in single pole thermostat (white model)
RWFT1A*	built-in single pole thermostat (almond or silver model)
RWFT2*	built-in double pole thermostat
RWFT1347*	built-in single pole thermostat (347 V units)
RWFSAW	surface adapter (white)
RWFSAA	surface adapter (almond)
RWFSAS	surface adapter (silver)

* supplied with an almond knob (with an almond grille) and a black knob (with a silver grille)
 * supplied with a white knob (with a white grille), an almond knob (with an almond grille) and a black knob (with a silver grille)



wall mounting
 can be recessed into a wall thickness 2 to 3 inches!



pages 82 to 87
 wall thermostats & accessories

