

ARWF | PULSAIR™

WALL FAN HEATER



THE CLASSIC FAN HEATER

You won't find anything better than this efficient, durable and low noise fan heater. The Pulsair is extremely popular for many reasons. First, it can be recessed or surface mounted with a surface adapter (optional). It can also be mounted vertically or horizontally so that air can flow either up and down or right and left. Finally, the slim-line Pulsair can be recessed into a wall thickness of 2 in. to 3 in. While it's a winning heating solution for hallways or bathrooms, it can also be installed anywhere in the house, such as the office, or in commercial spaces. Its nichrome element provides instant heat. Available from 500 W to 2000 W, and from 120 V to 277 V, the Pulsair is recognized and recommended by those in the know.

VERY QUIET FAN HEATER

THE MOST RESISTANT GRILLE ON THE MARKET

INSTANT HEAT NICHROME ELEMENT

MULTIPLE INSTALLATION OPTIONS RECESSED, SURFACE MOUNTED, HORIZONTAL OR VERTICAL

OPTIONAL DISCONNECT SWITCH AVAILABLE

ADAPTS TO MULTIPLE MARKETS AVAILABLE IN: 120 V, 208 V, 240 V AND 277 V

COLORS

- **standard:** white, soft white
- **Orora (optional):** refer to www.stelpro.com/en-US/Orora

FINISH

- epoxy-polyester powdercoat

MANUFACTURING

- 20-gauge steel cabinet and 18-gauge steel grille
- quiet fan – 40 CFM (500 W to 1000 W models) – 75 CFM (1250 W to 2000 W models)
- thermal protection with automatic reset
- dual wattage (DW) in some models (see DW in technical specifications table)
- additional thermal protection with a thermal fuse (must be replaced if triggered)
- pilot light indicates when thermal protection has been activated

ELEMENT

- nichrome element produces instant heat

CONTROL

- built-in thermostat (optional), 3 control knobs included (white, soft white and black)
- wall thermostat (not included) – the use of an electronic thermostat is strongly recommended

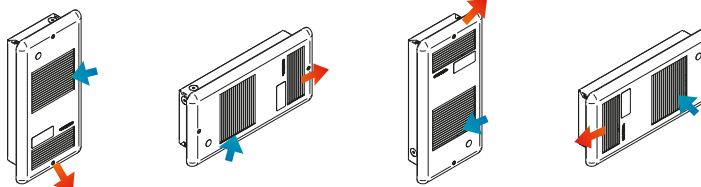
INSTALLATION

- wall mounted
- recessed (wall must have a depth of 2 3/8 in. minimum)
- surface mounted with surface adapter (optional)
- four installation positions

WARRANTY

- five years

FOUR INSTALLATION OPTIONS



IDEAL FOR:

hallway, bathroom, locker room, office



Stelpro reserves the right to modify descriptions, manufacturing specifications or prices without prior notice. No returns accepted on optional-color products. For all the latest models and prices, please refer to our website at www.stelpro.com.



FC_RWF_US_190822

TECHNICAL SPECIFICATIONS

| WITHOUT CONTROL | BUILT-IN SINGLE POLE THERMOSTAT | BUILT-IN DOUBLE POLE THERMOSTAT | POWER | | VOLTAGE | FLOW | HEAT RISE | WEIGHT |
|-----------------|---------------------------------|---------------------------------|-----------------------|------------------------|---------|------|-----------|--------|
| | | | WATTS | BTU/H | | | | |
| CODE | CODE | CODE | | | VOLTS | CFM | °F | LB |
| ARWF1001* | ARWF1001T* | ARWF1001T2* | 1000 or 500 | 3413 or 1706 | 120 | 40 | 79 | 6 |
| ARWF1008* | ARWF1008T* | ARWF1008T2* | 1000 or 500 | 3413 or 1706 | 208 | 40 | 79 | 6 |
| ARWF1002* | ARWF1002T* | ARWF1002T2* | 1000/750 or 500/375 | 3413/2560 or 1707/1280 | 240/208 | 40 | 79 | 6 |
| ARWF1007 | ARWF1007T | ARWF1007T2 | 1000 | 3413 | 277 | 40 | 79 | 6 |
| ARWF1501* | ARWF1501T* | ARWF1501T2* | 1500 or 750 | 5119 or 2560 | 120 | 75 | 63 | 6 |
| ARWF1508* | ARWF1508T* | ARWF1508T2* | 1500 or 750 | 5119 or 2560 | 208 | 75 | 63 | 6 |
| ARWF1502* | ARWF1502T* | ARWF1502T2* | 1500/1125 or 750/563 | 5119/3840 or 2560/1922 | 240/208 | 75 | 63 | 6 |
| ARWF1507 | ARWF1507T | ARWF1507T2 | 1500 | 5119 | 277 | 75 | 63 | 6 |
| --- | --- | --- | 2000 or 1000 | 6825 or 3413 | 120 | 75 | 84 | 6 |
| ARWF2008* | ARWF2008T* | ARWF2008T2* | 2000 or 1000 | 6825 or 3413 | 208 | 75 | 84 | 6 |
| ARWF2002* | ARWF2002T* | ARWF2002T2* | 2000/1500 or 1000/750 | 6825/5119 or 3413/2560 | 240/208 | 75 | 84 | 6 |
| ARWF2007 | ARWF2007T | ARWF2007T2 | 2000 | 6825 | 277 | 75 | 84 | 6 |

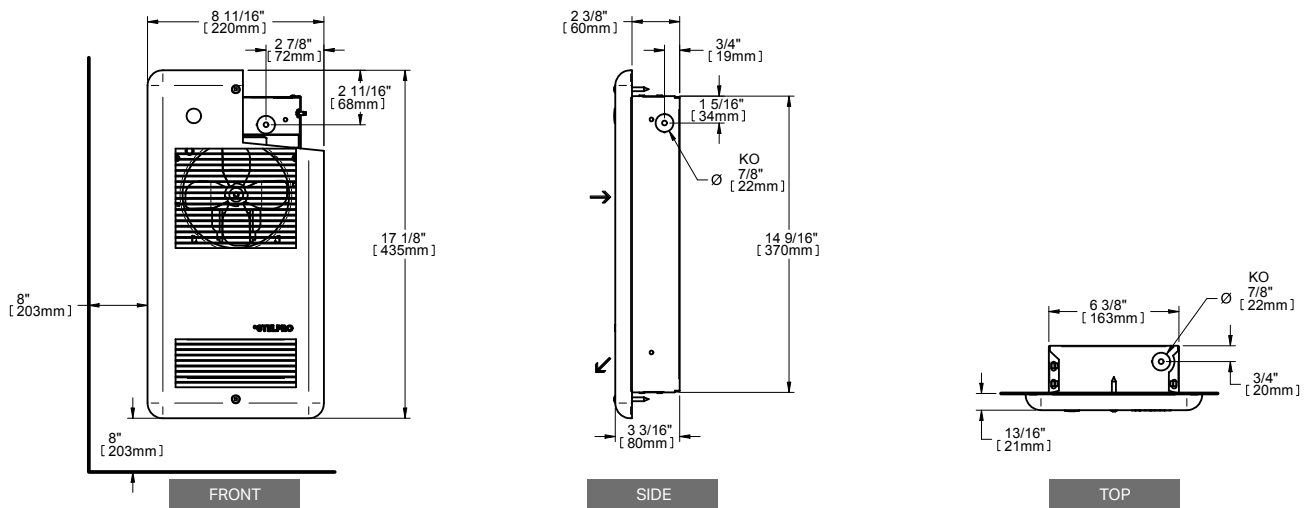
Add W for white or SW for soft white (consult the optional colors chart or contact your Stelpro representative for all other colors).
 --- not available * Dual wattage

ACCESSORIES

| PRODUCT | DESCRIPTION |
|-------------|---|
| RWFT1* | built-in single pole thermostat [120 V-347 V] |
| RWFT2 | built-in double pole thermostat [120 V-347 V] |
| RWFSA* | surface adapter (white) |
| RWFDIS277* | disconnect switch [120 V-277 V] [17 A @ 120 V-12 A @ 277 V] [Unit without thermostat] |
| RWFDIS277T* | disconnect switch [120 V-277 V] [17 A @ 120 V-12 A @ 277 V] [Unit with thermostat] |

* Add W for white or SW for soft white
 * Factory installed

TECHNICAL DRAWINGS



Stelpro reserves the right to modify descriptions, manufacturing specifications or prices without prior notice. No returns accepted on optional-color products. For all the latest models and prices, please refer to our website at www.stelpro.com.