

ACWS750

SLOPED ARCHITECTURAL CABINET



A PERFECT SLOPED TOP CABINET FOR LARGE SPACES

With an incredible 750 W per linear foot power capacity, the ACWS750 architectural cabinet is the perfect unit for public institutions or any other commercial application that requires a high heat output. Its high performance and durability (extruded aluminum grille) have earned it an outstanding reputation. Its sloped top makes it less likely it will be sat on, stepped on or used as a shelf.

SLOPED TOP

MAKING IT LESS LIKELY TO BE SAT ON OR USED AS A SHELF

INCREDIBLE HEAT DENSITY

UP TO 750 W PER LINEAR FOOT

ATTRACTIVE EXTRUDED ALUMINUM GRILLE

PERFECT FOR PUBLIC PLACES
CORRIDORS, HOSPITALS, ETC.

BLANK SECTIONS AVAILABLE
FOR A CONTINUOUS LOOK

COLORS

- **standard:** white, soft white
- **Orora (optional):** refer to www.stelpro.com/en-US/Orora

FINISH

- epoxy-polyester powdercoat

MANUFACTURING

- 18-gauge steel cabinet, 16-gauge steel front panel and extruded aluminum grilles with a thickness equivalent to 13 gauge
- front air intake and top air discharge
- thermal protection with automatic reset
- full-length wireway

ELEMENTS

- three tubular elements, stainless steel sheathed with boxed aluminum fins for improved heat dissipation; the elements are securely fastened at their centres, floating in nylon sleeves at each end, eliminating expansion and contraction noises

CONTROL

- wall thermostat (not included) – the use of an electronic thermostat is strongly recommended
- built-in tamper-proof thermostat accessible without removing front grille, installed in the left or right junction box (optional)
- low voltage relay kit installed in the left or right junction box (optional)

INSTALLATION

- surface mounted
- wall or floor mounted with or without pedestal kit (optional)
- wiring compartments at both ends of unit
- blank sections (custom lengths) and accessories are available for a continuous look (optional)

WARRANTY

- three years



This unit is intended for commercial use. Models with a density greater than 450 W/ft. can become very hot.

IDEAL FOR:

shopping mall, hospital, lobby, corridor

°STELPRO

Stelpro reserves the right to modify descriptions, manufacturing specifications or prices without prior notice. No returns accepted on optional-color products. For all the latest models and prices, please refer to our website at www.stelpro.com.



TECHNICAL SPECIFICATIONS

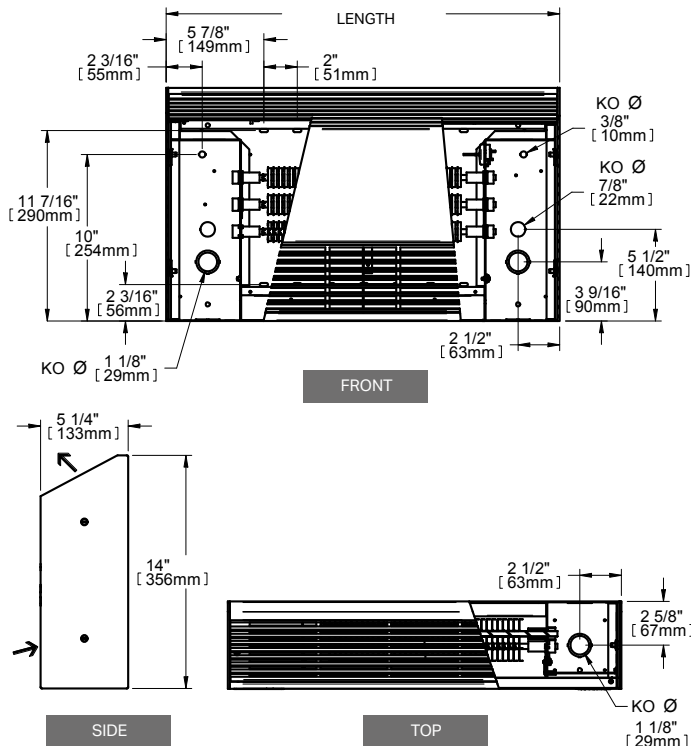
DENSITY OF 750 W PER LINEAR FOOT			DENSITY OF 600 W PER LINEAR FOOT			DENSITY OF 450 W PER LINEAR FOOT			VOLTAGE	LENGTH	WEIGHT
CODE	WATTS	BTU/H	CODE	WATTS	BTU/H	CODE	WATTS	BTU/H	VOLTS	IN.	LB
---	1500	5119	ACWS7506128*	1200	4095	ACWS7506098*	900	3071	208	23 5/8	28
---	1500	5119	ACWS7506122	1200	4095	ACWS7506092	900	3071	240	23 5/8	28
---	1500	5119	ACWS7506127	1200	4095	ACWS7506097	900	3071	277	23 5/8	28
---	1500	5119	ACWS7506125	1200	4095	ACWS7506095	900	3071	480	23 5/8	28
---	2250	7679	ACWS7509188*	1800	6143	ACWS7509138*	1350	4607	208	35 7/16	39
---	2250	7679	ACWS7509182	1800	6143	ACWS7509132	1350	4607	240	35 7/16	39
---	2250	7679	ACWS7509187	1800	6143	ACWS7509137	1350	4607	277	35 7/16	39
---	2250	7679	ACWS7509185	1800	6143	ACWS7509135	1350	4607	480	35 7/16	39
---	3000	10238	ACWS75012248*	2400	8190	ACWS75012188*	1800	6143	208	47 1/4	53
---	3000	10238	ACWS75012242	2400	8190	ACWS75012182	1800	6143	240	47 1/4	53
---	3000	10238	ACWS75012247	2400	8190	ACWS75012187	1800	6143	277	47 1/4	53
---	3000	10238	ACWS75012245*	2400	8190	ACWS75012185	1800	6143	480	47 1/4	53
ACWS75015378*	3750	12798	ACWS75015308*	3000	10238	ACWS75015228*	2250	7679	208	59 1/16	64
ACWS75015372	3750	12798	ACWS75015302	3000	10238	ACWS75015222	2250	7679	240	59 1/16	64
ACWS75015377	3750	12798	ACWS75015307	3000	10238	ACWS75015227	2250	7679	277	59 1/16	64
ACWS75015375*	3750	12798	ACWS75015305*	3000	10238	ACWS75015225*	2250	7679	480	59 1/16	64
ACWS75018458*	4500	15357	ACWS75018368*	3600	12286	ACWS75018278*	2700	9214	208	70 7/8	74
ACWS75018452	4500	15357	ACWS75018362	3600	12286	ACWS75018272	2700	9214	240	70 7/8	74
ACWS75018457	4500	15357	ACWS75018367	3600	12286	ACWS75018277	2700	9214	277	70 7/8	74
ACWS75018455*	4500	15357	ACWS75018365*	3600	12286	ACWS75018275*	2700	9214	480	70 7/8	74
ACWS75021528*	5250	17917	ACWS75021428*	4200	14333	ACWS75021318*	3150	10750	208	82 11/16	85
ACWS75021522	5250	17917	ACWS75021422	4200	14333	ACWS75021312	3150	10750	240	82 11/16	85
ACWS75021527	5250	17917	ACWS75021427	4200	14333	ACWS75021317	3150	10750	277	82 11/16	85
ACWS75021525*	5250	17917	ACWS75021425*	4200	14333	ACWS75021315*	3150	10750	480	82 11/16	85
ACWS75024608*	6000	20476	ACWS75024488*	4800	16381	ACWS75024368*	3600	12286	208	94 1/2	96
ACWS75024602	6000	20476	ACWS75024482	4800	16381	ACWS75024362	3600	12286	240	94 1/2	96
ACWS75024607	6000	20476	ACWS75024487	4800	16381	ACWS75024367	3600	12286	277	94 1/2	96
ACWS75024605*	6000	20476	ACWS75024485*	4800	16381	ACWS75024365*	3600	12286	480	94 1/2	96

Add W for white or SW for soft white (consult the optional colors chart or contact your Stelpro representative for all other colors).

* Add 3 (before the color code) for three-phase model (available upon request).

--- not available

TECHNICAL DRAWINGS



ACCESSORIES

PRODUCT	DESCRIPTION
CWS750T12*	built-in tamper-proof single pole thermostat
CWS750T22*	built-in tamper-proof double pole thermostat
CWS750T33*	built-in tamper-proof triple pole thermostat (3 ph)
CWS750RE153*	built-in electronic low voltage relay [15 A @ 120 V-347 V]
CWS750RE156*	built-in electronic low voltage relay [6 A @ 600 V]
CWS750RE153T*	built-in electronic relay c/w transformer 24 V [15 A @ 208 V-347 V]
CWS750RM240T*	built-in electromechanical relay c/w transformer 24 V [5000 W @ 208 V / 6000 W @ 240 V]
CWS750RM347T*	built-in electromechanical relay c/w transformer 24 V [6000 W @ 347 V]
CWS750RM347C*	built-in electromechanical relay w/o transformer 24 V [6000 W @ 120 V-347 V]
CWS750R841C1151*	built-in electromechanical relay c/w transformer 24 V [6000 W @ 600 V]
CWS750R841D1036*	built-in electromechanical low voltage relay w/o transformer 24 V [6000 W @ 600 V]
CWS750DIS6001P*	disconnect switch [30 A @ 600 V] 2 poles
CWS750DIS6003P*	disconnect switch [32 A @ 690 V] 3 poles
PK3*	pedestal kit (kit of two)
CWS750JS*	joiner strip (2 in.)
CWS750CB**	clean back (fully finished, no mounting holes or knockouts)

Electronic relays can receive a PWM (pulsed width modulation) or digital (on/off) signal.

* Add W for white or SW for soft white.

* Factory installed ** Factory installation is strongly recommended.

ACWS1000

SLOPED ARCHITECTURAL CABINET



A POWERFUL SLOPED-TOP CABINET CONVECTOR

The ACWS1000 is a great option for heating large areas requiring a higher than normal heat-loss recovery. It has a high power density of 1000 W per linear foot. Its sloped top adds dimension to an already dynamic design and makes it less likely it will be sat on, stepped on or used as a shelf. A powerful performer, the ACWS1000 heats by natural convection, so you don't have to worry about noise.

INCREDIBLE HEAT DENSITY

UP TO 1000 W PER LINEAR FOOT

ATTRACTIVE EXTRUDED ALUMINUM GRILLE

SLOPED TOP

MAKING IT LESS LIKELY TO BE SAT ON OR USED AS A SHELF

PERFECT FOR PUBLIC PLACES

MUNICIPAL BUILDINGS, LOBBIES, ETC.

BLANK SECTIONS AVAILABLE

FOR A CONTINUOUS LOOK

COLORS

- **standard:** white, soft white
- **Orora (optional):** refer to www.stelpro.com/en-US/Orora

FINISH

- epoxy-polyester powdercoat

MANUFACTURING

- 18-gauge steel cabinet, 16-gauge steel front panel and extruded aluminum grilles with a thickness equivalent to 13 gauge
- front air intake and top air discharge
- thermal protection with automatic reset
- full-length wireway

ELEMENTS

- four tubular elements, stainless steel sheathed with boxed aluminum fins for improved heat dissipation; the elements are securely fastened at their centres, floating in nylon sleeves at each end, eliminating expansion and contraction noises

CONTROL

- wall thermostat (not included) – the use of an electronic thermostat is strongly recommended
- built-in tamper-proof thermostat accessible without removing front grille, installed in the left or right junction box (optional)
- low voltage relay kit installed in the left or right junction box (optional)

INSTALLATION

- surface mounted
- wall or floor mounted with or without pedestal kit (optional)
- wiring compartment at both ends of unit
- blank sections (custom lengths) and accessories are available for a continuous look (optional)

WARRANTY

- three years



This unit is intended for commercial use. Models with a density greater than 600 W/ft. can become very hot.

IDEAL FOR:

shopping mall, hospital, lobby, corridor

°STELPRO

Stelpro reserves the right to modify descriptions, manufacturing specifications or prices without prior notice. **No returns accepted on optional-color products.** For all the latest models and prices, please refer to our website at www.stelpro.com.



FC_CWS1000_US_110722

TECHNICAL SPECIFICATIONS

DENSITY OF 1000 W PER LINEAR FOOT			DENSITY OF 800 W PER LINEAR FOOT			DENSITY OF 600 W PER LINEAR FOOT			VOLTAGE	LENGTH	WEIGHT
CODE	WATTS	BTU/H	CODE	WATTS	BTU/H	CODE	WATTS	BTU/H	VOLTS	IN.	LB
---	2000	6825	---	1600	5460	ACWS10006128	1200	4095	208	23 5/8	35
---	2000	6825	---	1600	5460	ACWS10006122	1200	4095	240	23 5/8	35
---	2000	6825	---	1600	5460	ACWS10006127	1200	4095	277	23 5/8	35
---	2000	6825	---	1600	5460	ACWS10006125	1200	4095	480	23 5/8	35
ACWS10009308	3000	10238	ACWS10009248	2400	8190	ACWS10009188	1800	6143	208	35 7/16	53
ACWS10009302	3000	10238	ACWS10009242	2400	8190	ACWS10009182	1800	6143	240	35 7/16	53
ACWS10009307	3000	10238	ACWS10009247	2400	8190	ACWS10009187	1800	6143	277	35 7/16	53
ACWS10009305	3000	10238	ACWS10009245	2400	8190	ACWS10009185	1800	6143	480	35 7/16	53
ACWS100012408	4000	13 651	ACWS100012328	3200	10 921	ACWS100012248	2400	8190	208	47 1/4	69
ACWS100012402	4000	13 651	ACWS100012322	3200	10 921	ACWS100012242	2400	8190	240	47 1/4	69
ACWS100012407	4000	13 651	ACWS100012327	3200	10 921	ACWS100012247	2400	8190	277	47 1/4	69
ACWS100012405	4000	13 651	ACWS100012325	3200	10 921	ACWS100012245	2400	8190	480	47 1/4	69
ACWS100015508	5000	17 064	ACWS100015408	4000	13 651	ACWS100015308	3000	10238	208	59 1/16	84
ACWS100015502	5000	17 064	ACWS100015402	4000	13 651	ACWS100015302	3000	10238	240	59 1/16	84
ACWS100015507	5000	17 064	ACWS100015407	4000	13 651	ACWS100015307	3000	10238	277	59 1/16	84
ACWS100015505	5000	17 064	ACWS100015405	4000	13 651	ACWS100015305	3000	10238	480	59 1/16	84
ACWS100018608	6000	20 476	ACWS100018488	4800	16 381	ACWS100018368	3600	12 286	208	70 7/8	98
ACWS100018602	6000	20 476	ACWS100018482	4800	16 381	ACWS100018362	3600	12 286	240	70 7/8	98
ACWS100018607	6000	20 476	ACWS100018487	4800	16 381	ACWS100018367	3600	12 286	277	70 7/8	98
ACWS100018605	6000	20 476	ACWS100018485	4800	16 381	ACWS100018365	3600	12 286	480	70 7/8	98

Add W for white or SW for soft white (consult the optional colors chart or contact your Stelpro representative for all other colors).
 --- not available

ACCESSORIES

PRODUCT	DESCRIPTION
CWS1000T12*	built-in tamper-proof single pole thermostat
CWS1000T22*	built-in tamper-proof double pole thermostat
CWS1000RE153*	built-in electronic low voltage relay [15 A @ 120 V-347 V]
CWS1000RE156*	built-in electronic low voltage relay [6 A @ 600 V]
CWS1000RE153T*	built-in electronic relay c/w transformer 24 V [15 A @ 208 V-347 V]
CWS1000RM240T*	built-in electromechanical relay c/w transformer 24 V [6000 W @ 240 V and 5200 W @ 208 V]
CWS1000RM347T*	built-in electromechanical relay c/w transformer 24 V [6000 W @ 347 V]
CWS1000RM347C*	built-in electromechanical relay w/o transformer 24 V [6000 W @ 120 V-347 V]
CWS1000R841C1151*	built-in electromechanical relay c/w transformer 24 V [6000 W @ 600 V]
CWS1000R841D1036*	built-in electromechanical relay w/o transformer 24 V [6000 W @ 600 V]
CWS1000DIS6001P*	disconnect switch [30 A @ 600 V] 2 poles
CWS1000DIS6003P*	disconnect switch [32 A @ 690 V] 3 poles
PK3*	pedestal kit (kit of two)
CWS1000JS*	joiner strip (2 in.)
CWS1000CB**	clean back (fully finished, no mounting holes or knockouts)

Electronic relays can receive a PWM (pulsed width modulation) or digital (on/off) signal.
 * Add W for white or SW for soft white.
 * Factory installed ** Factory installation is strongly recommended.

TECHNICAL DRAWINGS

