

ABA | BELLA™

HIGH-END BASEBOARD



LA DOLCE VITA WITH BELLA

The high-end Bella baseboard is undoubtedly the most beautiful offered on the market. Its breathtaking design and sturdy aluminum-extruded facade make it the ideal choice for residential and commercial locations. The Bella is available in two densities: 150 W or 250 W per linear foot.

CLEAN AND HIGH-END FINISH

**EXTREMELY SOLID,
IMPACT AND RUST RESISTANT**
MADE OF EXTRUDED ALUMINUM

**FIT FOR RESIDENTIAL AND
COMMERCIAL ENVIRONMENTS**

TOTALLY QUIET

COLORS

- **standard:** white
- **Orora (optional):** refer to www.stelpro.com/en-US/Orora

FINISH

- epoxy-polyester powdercoat

MANUFACTURING

- 22-gauge steel cabinet
- 11-gauge equivalent extruded aluminum with molded and curved end-caps
- discreet air inlet: air enters through the front of the unit and exits from the top
- thermal protection with automatic reset
- full-length wireway

ELEMENT

- single tubular, stainless steel sheathed element with boxed aluminum fins for improved heat dissipation; the element is securely fastened at its centre, floating in nylon sleeves at each end, eliminating expansion and contraction noises

CONTROL

- wall thermostat (not included) – the use of an electronic thermostat is strongly recommended
- built-in mechanical single pole or double pole thermostat, installed in the left or right junction box (optional)
- low voltage relay kit installed in the left or right junction box (optional)
- disconnect switch (optional)

INSTALLATION

- surface mounted
- wiring compartment at both ends of unit

WARRANTY

- five years, *lifetime warranty on the heating element (for original owner)

IDEAL FOR:

kitchen, living room, bedroom, basement,
commercial space, office

°STELPRO

Stelpro reserves the right to modify descriptions, manufacturing specifications or prices without prior notice. **No returns accepted on optional-color products.** For all the latest models and prices, please refer to our website at www.stelpro.com.



TECHNICAL SPECIFICATIONS

DENSITY OF 250 W PER LINEAR FOOT			DENSITY OF 150 W PER LINEAR FOOT			VOLTAGE	TOTAL LENGTH	WALL LENGTH	WEIGHT
FOR COMMERCIAL USE ONLY			FOR RESIDENTIAL AND COMMERCIAL USE						
CODE	WATTS	BTU/H	CODE	WATTS	BTU/H	VOLTS	IN.	IN.	LB
ABA0301	300	1024	---	---	---	120	20 13/16	20 5/16	5.1
ABA0308	300	1024	---	---	---	208	20 13/16	20 5/16	5.1
ABA0302	300/225	1024/768	---	---	---	240/208	20 13/16	20 5/16	5.1
ABA0501	500	1706	ABAL0301	300	1024	120	28 13/16	28 5/16	6.5
ABA0508	500	1706	ABAL0308	300	1024	208	28 13/16	28 5/16	6.5
ABA0502	500/375	1706/1280	ABAL0302	300/225	1024/768	240/208	28 13/16	28 5/16	6.5
ABA0507	500	1706	---	300	1024	277	28 13/16	28 5/16	6.5
ABA0751	750	2560	ABAL0451	450	1536	120	38 1/2	38	8.0
ABA0758	750	2560	ABAL0458	450	1536	208	38 1/2	38	8.0
ABA0752	750/560	2560/1911	ABAL0452	450/340	1536/1160	240/208	38 1/2	38	8.0
ABA0757	750	2560	ABAL0457	450	1536	277	38 1/2	38	8.0
ABA0755	750	2560	---	450	1536	480	38 1/2	38	8.0
ABA1001	1000	3413	ABAL0601	600	2048	120	48 3/8	47 7/8	9.7
ABA1008	1000	3413	ABAL0608	600	2048	208	48 3/8	47 7/8	9.7
ABA1002	1000/750	3413/2560	ABAL0602	600/450	2048/1536	240/208	48 3/8	47 7/8	9.7
ABA1007	1000	3413	ABAL0607	600	2048	277	48 3/8	47 7/8	9.7
ABA1005	1000	3413	---	600	2048	480	48 3/8	47 7/8	9.7
ABA1251	1250	4266	ABAL0751	750	2560	120	58 3/16	57 11/16	11.4
ABA1258	1250	4266	ABAL0758	750	2560	208	58 3/16	57 11/16	11.4
ABA1252	1250/940	4266/3208	ABAL0752	750/560	2560/1911	240/208	58 3/16	57 11/16	11.4
ABA1257	1250	4266	ABAL0757	750	2560	277	58 3/16	57 11/16	11.4
ABA1255	1250	4266	ABAL0755	750	2560	480	58 3/16	57 11/16	11.4
ABA1501	1500	5119	ABAL0901	900	3071	120	67 3/16	66 11/16	13.2
ABA1508	1500	5119	ABAL0908	900	3071	208	67 3/16	66 11/16	13.2
ABA1502	1500/1125	5119/3839	ABAL0902	900/675	3071/2304	240/208	67 3/16	66 11/16	13.2
ABA1507	1500	5119	ABAL0907	900	3071	277	67 3/16	66 11/16	13.2
ABA1505	1500	5119	ABAL0905	900	3071	480	67 3/16	66 11/16	13.2
---	1750	5972	ABAL1051	1050	3583	120	76 7/8	76 3/8	15.0
ABA1758	1750	5972	ABAL1058	1050	3583	208	76 7/8	76 3/8	15.0
ABA1752	1750/1310	5972/4488	ABAL1052	1050/790	3583/2696	240/208	76 7/8	76 3/8	15.0
ABA1757	1750	5972	ABAL1057	1050	3583	277	76 7/8	76 3/8	15.0
ABA1755	1750	5972	ABAL1055	1050	3583	480	76 7/8	76 3/8	15.0
---	2000	6825	ABAL1201	1200	4095	120	84 13/16	84 5/16	16.9
ABA2008	2000	6825	ABAL1208	1200	4095	208	84 13/16	84 5/16	16.9
ABA2002	2000/1500	6825/5119	ABAL1202	1200/900	4095/3071	240/208	84 13/16	84 5/16	16.9
ABA2007	2000	6825	ABAL1207	1200	4095	277	84 13/16	84 5/16	16.9
ABA2005	2000	6825	ABAL1205	1200	4095	480	84 13/16	84 5/16	16.9
ABA2258	2250	7679	ABAL1358	1350	4607	208	94 11/16	94 3/16	18.8
ABA2252	2250/1690	7679/5767	ABAL1352	1350/1010	4607/3447	240/208	94 11/16	94 3/16	18.8
ABA2257	2250	7679	ABAL1357	1350	4607	277	94 11/16	94 3/16	18.8
ABA2255	2250	7679	ABAL1355	1350	4607	480	94 11/16	94 3/16	18.8
ABA2508	2500	8532	ABAL1508	1500	5119	208	103 1/2	103	20.7
ABA2502	2500/1875	8532/6399	ABAL1502	1500/1125	5119/3839	240/208	103 1/2	103	20.7
ABA2507	2500	8532	ABAL1507	1500	5119	277	103 1/2	103	20.7
ABA2505	2500	8532	ABAL1505	1500	5119	480	103 1/2	103	20.7

Add W for white (consult the optional colors chart or contact your Stelpro representative for all other colors).
 --- not available

ACCESSORIES

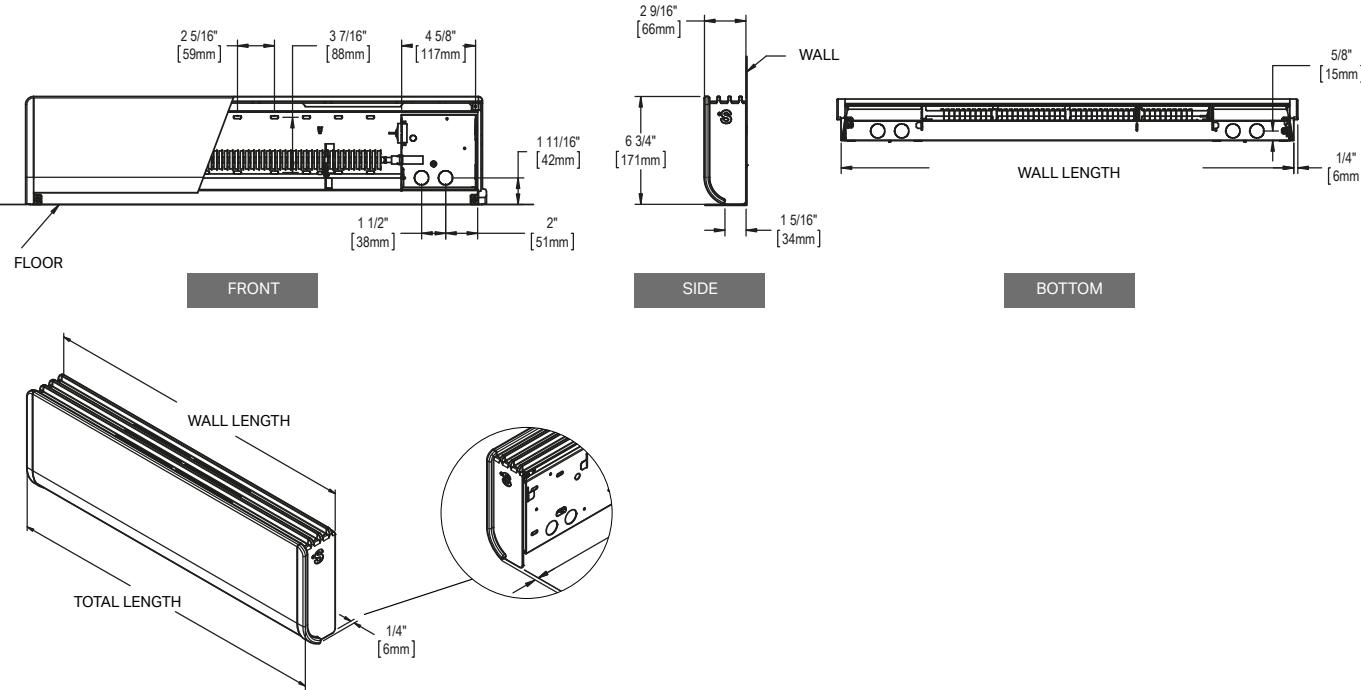
PRODUCT	DESCRIPTION
BA1T1W*	built-in single pole thermostat [120 V-600 V]
BA2T1W*	built-in double pole thermostat [120 V-600 V]
BARE153*	built-in electronic low voltage relay [15 A @ 120 V-347 V]
BARE156*	built-in electronic low voltage relay [6 A @ 600 V]
BARE153T*	built-in electronic low voltage relay c/w transformer 24 V [15 A @ 208 V-347 V]
BARM120T*	built-in electromechanical relay c/w transformer 24 V [3000 W @ 120 V]
BARM240T*	built-in electromechanical relay c/w transformer 24 V [6000 W @ 240 V and 5200 W @ 208 V]
BARM347T*	built-in electromechanical relay c/w transformer 24 V [6000 W @ 347 V]
BARM347C*	built-in electromechanical relay w/o transformer 24 V [6000 W @ 120-347 V]
BAR841D1036*	built-in electromechanical low voltage relay with transformer 24 V [6000 W @ 600 V]
BADIS*	disconnect switch [up to 277 V max 15 A]
BADIS6*	disconnect switch [600 V]

Electronic relays can receive a PWM (pulsed width modulation) or digital (on/off) signal.

* Factory installed

* Factory installation is strongly recommended

TECHNICAL DRAWINGS





Stelpro reserves the right to modify descriptions, manufacturing specifications or prices without prior notice. No returns accepted on optional-color products. For all the latest models and prices, please refer to our website at www.stelpro.com.