

AB | BRAVA™

ELECTRIC BASEBOARD



BRAVA



THE REFERENCE ON THE MARKET

The AB baseboard's reputation is well established. It's simply the most recognized and sought-after baseboard on the market. Now known as the Brava, this strong and durable baseboard stands out thanks to its rounded corners and unique, no-end-cap, one-piece design.

ROUNDED CORNERS

QUICK AND EASY INSTALLATION

STRONG CABINET ONE-PIECE CONSTRUCTION

MAY BE CONTROLLED BY A BUILT-IN OR WALL THERMOSTAT

COLORS

- **standard:** white, soft white
- **Orora (optional):** refer to www.stelpro.com/en-US/orora

FINISH

- epoxy-polyester powdercoat

MANUFACTURING

- 22-gauge steel casing able to support 75 kg (165 lb) at its centre
- full-length thermal protection with automatic reset
- cabinet designed to ensure optimal hot air distribution
- full-length wireway

ELEMENT

- single tubular, stainless steel sheathed element with boxed aluminum fins for improved heat dissipation; the element is securely fastened at its centre, floating in nylon sleeves at each end, eliminating expansion and contraction noises

CONTROL

- built-in thermostat installed in the left or right junction box (optional)
- single pole electronic thermostat installed in the left or right junction box (optional)
- wall thermostat (not included) – the use of an electronic thermostat is strongly recommended
- low voltage relay kit installed in the left junction box only (optional)

INSTALLATION

- surface mounted
- knockouts for the BX and clamps for the NMD cables located at each end
- mounting holes spaced at 1-inch intervals along the top and the bottom of the unit

WARRANTY

- five years, *three years on electronic components and lifetime warranty on heating element (for original owner)

IDEAL FOR:

kitchen, living room, bedroom, office, basement, commercial space

°STELPRO

Stelpro reserves the right to modify descriptions, manufacturing specifications or prices without prior notice. No returns accepted on optional-color products. For all the latest models and prices, please refer to our website at www.stelpro.com.



FC_B_US_170822

TECHNICAL SPECIFICATIONS

DENSITY OF 250 W PER LINEAR FOOT	POWER		VOLTAGE	LENGTH	WEIGHT	
	CODE	WATTS	BTU/H	VOLTS	IN.	LB
	AB0301	300	1024	120	19 7/8	5
	AB0308	300	1024	208	19 7/8	5
	AB0302	300/225	1024/768	240/208	19 7/8	5
	AB0501	500	1706	120	27 7/8	7
	AB0508	500	1706	208	27 7/8	7
	AB0502	500/375	1706/1280	240/208	27 7/8	7
	AB0507	500/375/280	1706/1280/956	277/240/208	27 7/8	7
	AB0751	750	2560	120	37 5/8	9
	AB0758	750	2560	208	37 5/8	9
	AB0752	750/560	2560/1911	240/208	37 5/8	9
	AB0757	750/560/425	2560/1911/1450	277/240/208	37 5/8	9
	AB41001	1000	3413	120	48	11
	AB41008	1000	3413	208	48	11
	AB41002	1000/750	3413/2560	240/208	48	11
	AB41007	1000/750/565	3413/2560/1928	277/240/208	48	11
	AB51251	1250	4266	120	60	14
	AB51258	1250	4266	208	60	14
	AB51252	1250/940	4266/3208	240/208	60	14
	AB51257	1250/940/705	4266/3208/2406	277/240/208	60	14
	AB61501	1500	5119	120	72	16
	AB61508	1500	5119	208	72	16
	AB61502	1500/1125	5119/3839	240/208	72	16
	AB61507	1500/1125/845	5119/3839/2884	277/240/208	72	16
	AB1758	1750	5972	208	76	18
	AB1752	1750/1315	5972/4488	240/208	76	18
	AB1757	1750/1300/985	5972/4437/3361	277/240/208	76	18
	AB82008	2000	6825	208	96	20
	AB82002	2000/1500	6825/5119	240/208	96	20
	AB82007	2000/1500/1125	6825/5119/3839	277/240/208	96	20
	AB82258	2250	7679	208	96	22
	AB82252	2250/1690	7679/5767	240/208	96	22
	AB82257	2250/1690/1265	7679/5767/4317	277/240/208	96	22
	AB2508	2500	8532	208	102 5/8	24
	AB2502	2500/1875	8532/6399	240/208	102 5/8	24
	AB2507	2500/1875/1405	8532/6399/4795	277/240/208	102 5/8	24

Add W for white or SW for soft white (consult the optional colors chart or contact your Stelpro representative for all other colors).

Add HA for the high altitude version

Please note that the width of the units may vary by more or less 1/16 in.

480 V available upon request



ACCESSORIES

PRODUCT	DESCRIPTION
SIBTE12F	built-in electronic thermostat – Fahrenheit [120 V-240 V]
SIBTE13F	built-in electronic thermostat – Fahrenheit [277 V-347 V]
SIBT1*	built-in single pole thermostat [120 V-600 V]
SIBT2*	built-in double pole thermostat [120 V-600 V]
SIBT2TP*	built-in tamper-proof double pole thermostat [120 V-600 V]
BRE153*	built-in electronic low voltage relay [15 A @ 120 V-347 V]
BRE156*	built-in electronic low voltage relay [6 A @ 600 V]
BRE153T*	built-in electronic low voltage relay c/w transformer 24 V [15 A @ 208 V-347 V]
BDIS277**	disconnect switch [20 A @ 120 V-277 V]
BEXT**	extension (4 3/4 in.) to use with three integrated controls
BP*	spray paint white or soft white

Electronic relays can receive a PWM (pulsed width modulation) or digital (on/off) signal.

* Add W for white or SW for soft white

** Factory installation

BUILT-IN THERMOSTATS

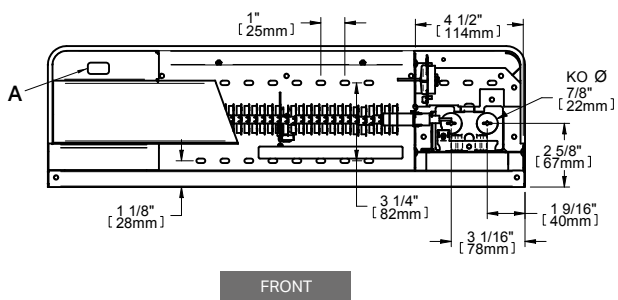


SIBTE - ELECTRONIC

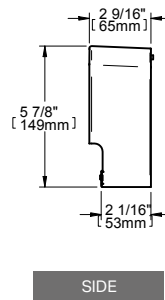


SIBTx - MECHANICAL

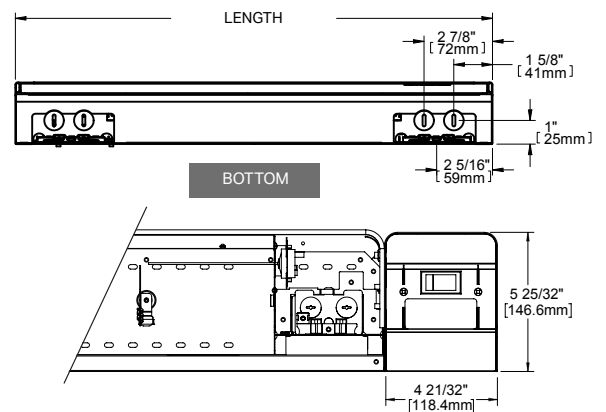
TECHNICAL DRAWINGS



FRONT



SIDE



BOTTOM

BEXT OPTION

A = LOCATION OF BUILT-IN THERMOSTAT (OPTIONAL)

