

AALUX2 | ALUX™

MINI ARCHITECTURAL ALUMINUM BASEBOARD



STYLE AND DURABILITY AT YOUR FEET

Here is a mini architectural baseboard you won't soon forget. The AALUX2 from the ALUX series, designed to be installed below large windows, patio doors or bay windows. In addition to not cluttering a room, it controls cold air infiltration and condensation since it acts as a hot air curtain. Its unique style and aluminum extrusion not only make it durable but also ensure it complements any room.

EXTRUDED ALUMINUM FRONT AND TOP COVER
WITH A UNIQUE, LUXURY DESIGN

EXTREMELY SOLID, IMPACT AND RUST RESISTANT

NO CONDENSATION BUILD-UP

BLANK SECTIONS AVAILABLE FOR A CONTINUOUS LOOK

COLORS

- **standard:** white, soft white
- **luxury finish:** anodized aluminum (see price list)
- **Orora (optional):** refer to www.stelpro.com/en-US/Orora

FINISH

- epoxy-polyester powdercoat or anodized aluminum finish

MANUFACTURING

- 3 in. x 3 in. compact profile
- solid 20-gauge steel cabinet
- extremely resistant extruded aluminum front cover with a thickness equivalent to 10 gauge
- thermal protection with automatic reset
- full-length wireway
- pencil-proof openings of less than 1/4 in. prevent foreign objects from entering the unit

ELEMENT

- single tubular, stainless steel sheathed element with boxed aluminum fins for improved heat dissipation; the element is securely fastened at its centre, floating in nylon sleeves at each end, eliminating expansion and contraction noises

CONTROL

- wall thermostat (not included) – the use of an electronic thermostat is strongly recommended
- built-in thermostat accessible without removing front grille, installed in the left junction box only (optional)
- low voltage relay kit installed in the left junction box only (optional)
- multiple integrated controls can be installed in the same baseboard inside an extension

INSTALLATION

- surface mounted
- wall or floor mounted with or without pedestal kit (optional)
- wiring compartment at both ends of unit
- for a continuous look, custom blank sections with a simple attachment system are available (optional)

WARRANTY

- three years

IDEAL FOR:

below large window, patio door or bay window, solarium



Stelpro reserves the right to modify descriptions, manufacturing specifications or prices without prior notice. No returns accepted on optional-color products. For all the latest models and prices, please refer to our website at www.stelpro.com.

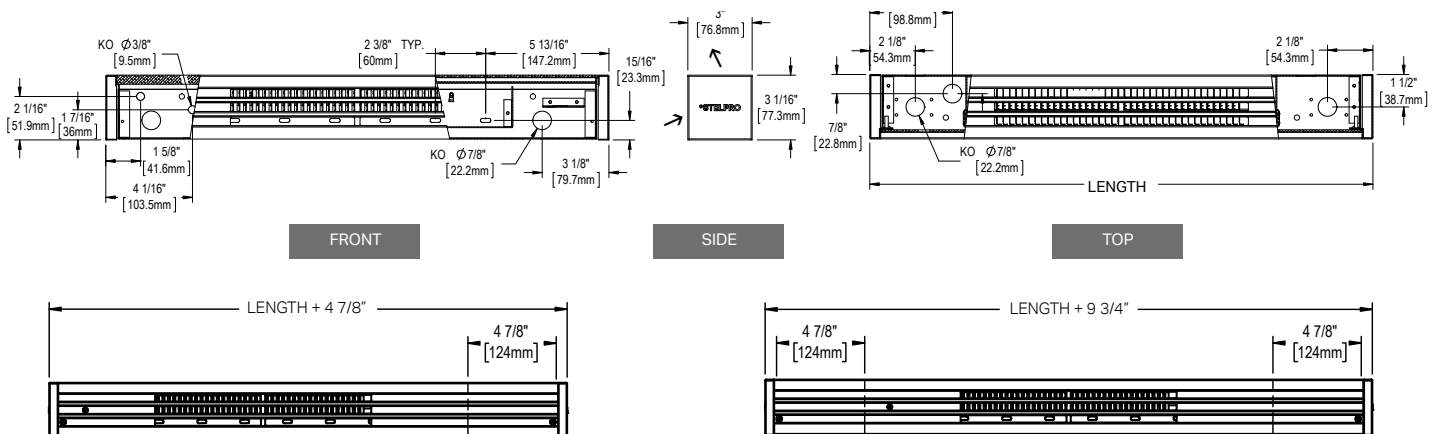


TECHNICAL SPECIFICATIONS

COMMERCIAL USE 150 W PER LINEAR FOOT			RESIDENTIAL USE DENSITY OF 100 W PER LINEAR FOOT			VOLTAGE	LENGTH	WEIGHT
CODE	WATTS	BTU/H	CODE	WATTS	BTU/H	VOLTS	IN.	LB
AALUX206031	300	1024	---	---	---	120	23 5/8	5.2
AALUX206038	300	1024	---	---	---	208	23 5/8	5.2
AALUX206032	300/225	1024/768	---	---	---	240/208	23 5/8	5.2
AALUX209041	450	1536	AALUX209031	300	1024	120	35 7/16	7.8
AALUX209048	450	1536	AALUX209038	300	1024	208	35 7/16	7.8
AALUX209042	450/340	1536/1160	AALUX209032	300/225	1024/768	240/208	35 7/16	7.8
AALUX209047	450	1536	AALUX209037	300	1024	277	35 7/16	7.8
AALUX212061	600	2048	AALUX212041	400	1365	120	47 1/4	10.4
AALUX212068	600	2048	AALUX212048	400	1365	208	47 1/4	10.4
AALUX212062	600/450	2048/1536	AALUX212042	400/300	1365/1024	240/208	47 1/4	10.4
AALUX212067	600	2048	AALUX212047	400	1365	277	47 1/4	10.4
AALUX215071	750	2560	AALUX215051	500	1706	120	59 1/16	13
AALUX215078	750	2560	AALUX215058	500	1706	208	59 1/16	13
AALUX215072	750/560	2560/1911	AALUX215052	500/375	1706/1280	240/208	59 1/16	13
AALUX215077	750	2560	AALUX215057	500	1706	277	59 1/16	13
AALUX215075	750	2560	AALUX215055	500	1706	480	59 1/16	13
AALUX218091	900	3071	AALUX218061	600	2048	120	70 7/8	15.5
AALUX218098	900	3071	AALUX218068	600	2048	208	70 7/8	15.5
AALUX218092	900/675	3071/2304	AALUX218062	600/450	2048/1536	240/208	70 7/8	15.5
AALUX218097	900	3071	AALUX218067	600	2048	277	70 7/8	15.5
AALUX218095	900	3071	AALUX218065	600	2048	480	70 7/8	15.5
AALUX221101	1050	3583	AALUX221071	700	2388	120	82 11/16	18.1
AALUX221108	1050	3583	AALUX221078	700	2388	208	82 11/16	18.1
AALUX221102	1050/790	3583/2696	AALUX221072	700/525	2388/1792	240/208	82 11/16	18.1
AALUX221107	1050	3583	AALUX221077	700	2388	277	82 11/16	18.1
AALUX221105	1050	3583	AALUX221075	700	2388	480	82 11/16	18.1
AALUX224121	1200	4095	AALUX224081	800	2730	120	94 1/2	20.7
AALUX224128	1200	4095	AALUX224088	800	2730	208	94 1/2	20.7
AALUX224122	1200/900	4095/3071	AALUX224082	800/600	2730/2048	240/208	94 1/2	20.7
AALUX224127	1200	4095	AALUX224087	800	2730	277	94 1/2	20.7
AALUX224125	1200	4095	AALUX224085	800	2730	480	94 1/2	20.7
AALUX227138	1350	4607	AALUX227098	900	3071	208	106 5/16	23.3
AALUX227132	1350/1010	4607/3447	AALUX227092	900/675	3071/2304	240/208	106 5/16	23.3
AALUX227137	1350	4607	AALUX227097	900	3071	277	106 5/16	23.3
AALUX227135	1350	4607	AALUX227095	900	3071	480	106 5/16	23.3

Add W for white, SW for soft white or CA for clear anodized (finish) (consult the optional colors chart or contact your Stelpro representative for all other colors).
 --- not available

TECHNICAL DRAWINGS





ACCESSORIES

PRODUCT	DESCRIPTION
ALUX2T12*	built-in tamper-proof single pole thermostat (left side installation only)
ALUX2RE153*	built-in electronic low voltage relay [15 A @ 120 V-347 V]
ALUX2RE156*	built-in electronic low voltage relay [6 A @ 600 V]
ALUX2RE153T*	built-in electronic low voltage relay c/w transformer 24 V [15 A @ 208 V-347 V]
ALUX2DIS277*	disconnect switch [20 A @ 120 V-277 V]
ALUX2DIS600*	disconnect switch [25 A @ 347 V-600 V]
PK5*	pedestal kit – single (kit of two)
PK5CAP	anodized aluminum (paint) pedestal kit – single (kit of two)
PK5D*	pedestal kit – double (kit of two)
PK5DCAP	anodized aluminum (paint) pedestal kit – double (kit of two)
ALUX2JS*	joiner strip (2 in.)
ALUX2JSCAP	anodized aluminum (paint) joiner strip (2 in.)
ALUX2IC90*	inside corner (back measures 6 7/16 in. long on each side)
ALUX2IC90CA	anodized aluminum (finish) inside corner (back measures 6 7/16 in. long on each side)
ALUX2OC90*	outside corner (back measures 6 7/16 in. long on each side)
ALUX2OC90CA	anodized aluminum (finish) outside corner (back measures 6 7/16 in. long on each side)
ALUX2CB**	clean back (fully finished, no mounting holes or knockouts)
ALUX2SA*	full width flush fit stand – height of 2 to 12 in.
ALUX2SR*	full width recessed stand (39/64 in.) – height of 2 in.
ALUX2EXT**	extension (4 7/8 in.) to use with more than one integrated control (1 for 2 controls, 2 for 3 controls)
ALUX2EXTCA*	clear anodized (finish) extension (4 7/8 in.) to use with more than one integrated control (1 for 2 controls, 2 for 3 controls)

Electronic relays can receive a PWM (pulsed width modulation) or digital (on/off) signal

* Add W for white or SW for soft white

** Factory installed



Stelpro reserves the right to modify descriptions, manufacturing specifications or prices without prior notice. No returns accepted on optional-color products. For all the latest models and prices, please refer to our website at www.stelpro.com.