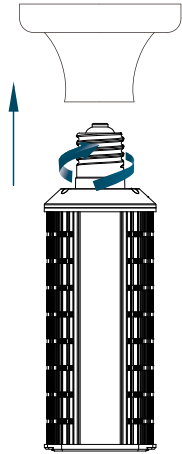


INSTALLATION INSTRUCTIONS

Lamp Installation



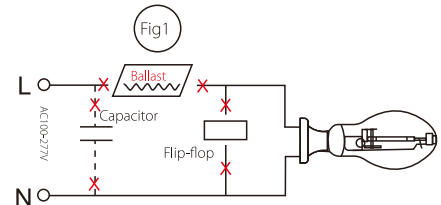
Product Size:Unit (mm)

Watt	Lamp Base	Lamp Dimension
20W	E26	Φ92*131
40W	E26	Φ92*198
40W	E39	Φ92*215
60W	E39	Φ92*272

Step:1

Shown as Figure 1

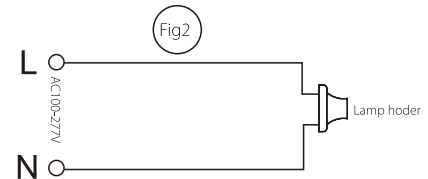
Turn off the power before installation. Remove the old ballast, capacitor and ignitor(if existing)



Step:2

Shown as Figure 2

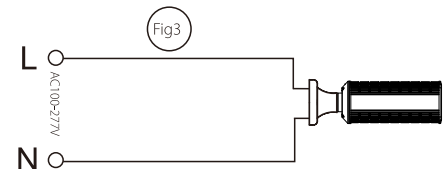
Make sure the Alternating Current Wires connect to the E26 or E39 socket directly. (Reattach or replace ground lead if one is needed)



Step:3

Shown as Figure 3

Screw the LED lamp onto the corresponding Socket.



IMPORTANT SAFETY NOTICES:

When using electrical equipment, basic safety precautions should always be followed including :

READ AND FOLLOW ALL SAFETY INSTRUCTIONS

WARNING:Risk of fire or electric shock. Luminaire wiring and electrical parts may be damaged when drilling for installation of LED retrofit kit. Check for enclosed wiring and components.

WARNING:Risk of fire or electric shock. LED Retrofit lamp installation requires knowledge of luminaires electrical systems. If not qualified, do not attempt installation. Contact a qualified electrician.

WARNING:These LED Lamps require all ballasts, capacitors, and ignitors to be bypassed or removed. Do not operate lamps on existing ballasts.

WARNING:All the LED Lamp models below can be used for dry or damp locations. Do not use where directly exposed to water.

WARNING:This product is not dimmable. Do not use with dimmers or attempt to dim.

WARNING:Added weight of the device may cause instability of a free-standing portable luminaire.

WARNING:Operating temperature : -30°C to 60°C (-22°F to 140°F).

WARNING:This device is not intended for use with emergency exits.

WARNING:Risk of fire or electric shock. Install this kit only in luminaires that have the construction features and dimensions shown in the photographs or drawings and where the input rating of the retrofit kit does not exceed the input rating of the luminaire.

WARNING:When using in portable table luminaires, ensure the distance from the bottom of the base to the top of the lampholder does not exceed three (3) times the base diameter.

WARNING:For use in enclosed fixtures.

WARNING:Before installation make certain the AC power to the fixture is off.

WARNING:The electrical rating of this product is 100-277V. Installer must confirm that there is 100-277V at the fixture before installation.

WARNING:To prevent wiring damage or abrasion, do not expose wiring to edges of sheet metal or other sharp objects.

WARNING:Do not make or alter any open holes of the wiring enclosure or electrical component enclosure during installation. Only those open holes indicated in the photographs or drawings may be added or altered as a result of kit installation. Do not leave any other open holes in the wiring enclosure or electrical component enclosure during installation.

WARNING:Installers should not disconnect existing wires from lampholder terminals to make new connections at lampholder terminals. Instead installers should cut existing lampholder leads away from the lampholder and make new electrical connections to lampholder lead wires by employing applicable connectors

FOR INSTALLATION USING SUPPORT STAND

1. For installation in downward facing horizontal fixture, use support with double 'prongs' Cut to desired length after installation. See chart A

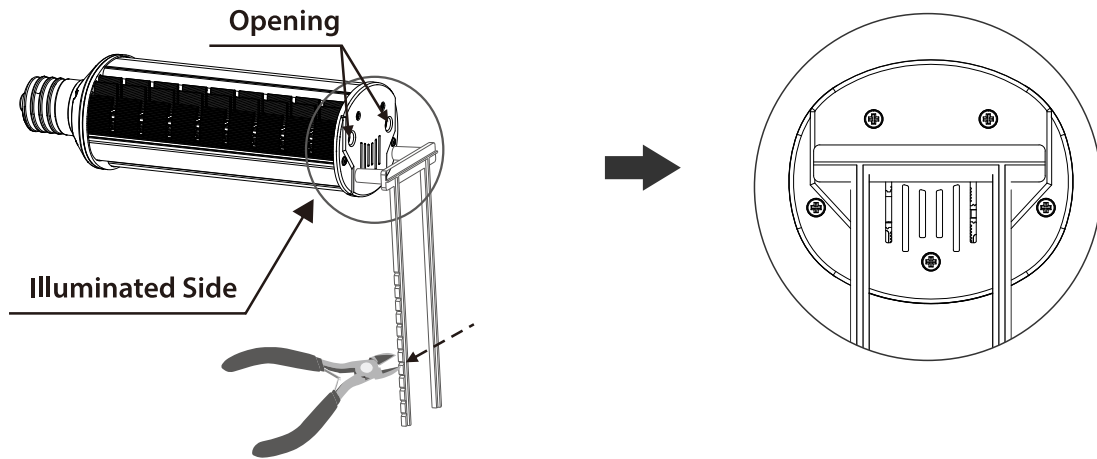


Fig.A

2. For installation in downward facing horizontal fixture, use support with single prongs. Cut to desired length after installation. See chart B

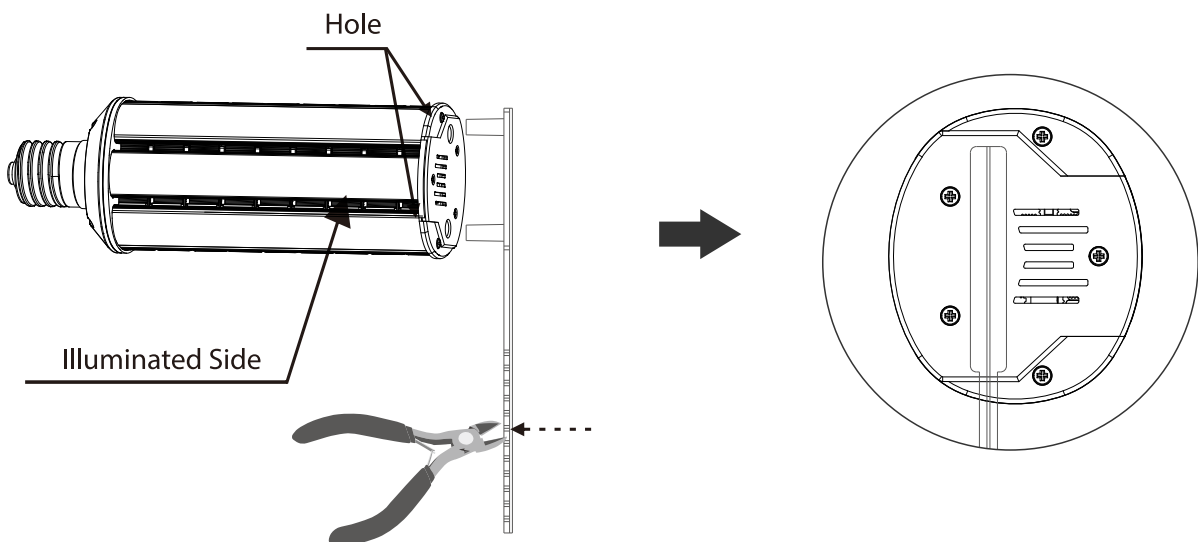


Fig.B