

Fixture empty casing, 7" and 9" Round and Square BATTERY BACKUP CASING



Thank you for purchasing this fixture empty casing. Before assembling please read this Operation Manual carefully and save in a safe place for future reference. Please note that all electrical connections must be in accordance with local and National Electrical Code standards as well as local building codes. In case you are not familiar with proper wiring connections and building codes, consult a qualified electrician.

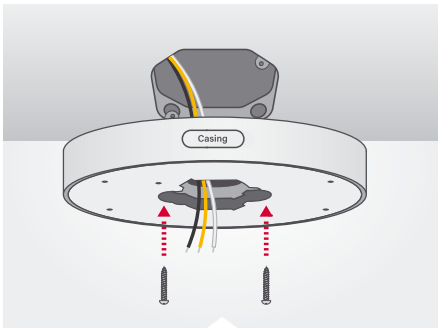
Technical Data

Installation Specifications:
3" or 4" Junction box

SAFETY RECOMMENDATION

1. The lighting shall be mounted at a height of maximum 4.0m.
2. Do not use outdoors.
3. Do not mount near gas or electric heaters. Do not let power supply cords touch hot surfaces.
4. Use caution when changing batteries – ΔTURN ALL POWER OFF, BOTH WALL SWITCH AND LINE POWER!
5. Equipment should be mounted in locations and at heights where it will not be subjected to tampering by unauthorized personnel.
6. This product is designed for use with Blink 'Pop 'n' Lock' series lighting. Must not be used with any other fixture.
7. Do not use this product for other than intended use. All serving should be performed by professional personnel.

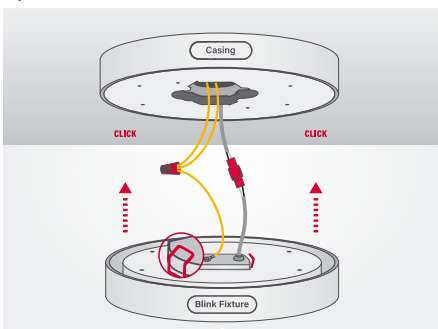
STEP 1:



Install the empty casing into the junction box using the 2 x M4 Machine screws provided.

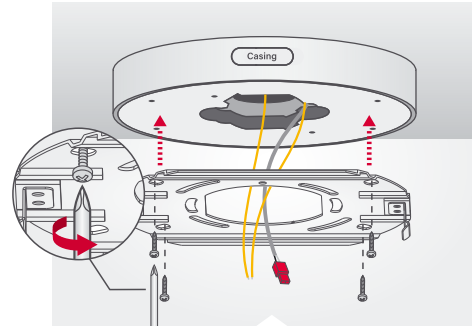
STEP 2:

**OPTION A
INSTALLATION FOR BLINK 3:**

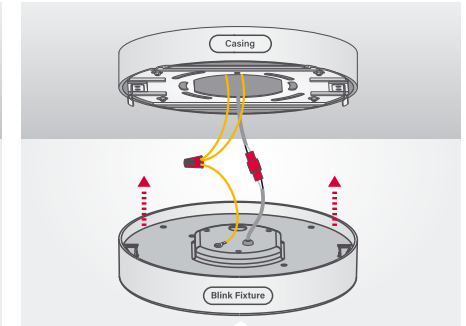


For Blink 3 fixture with springs align the two springs from fixture or battery backup unit, and snap into place.

**OPTION B
INSTALLATION FOR BLINK 3.5:**

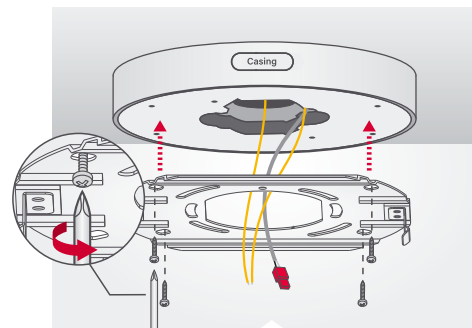


Install fixture mounting bracket to the battery backup or empty casing, using included (4) screws.

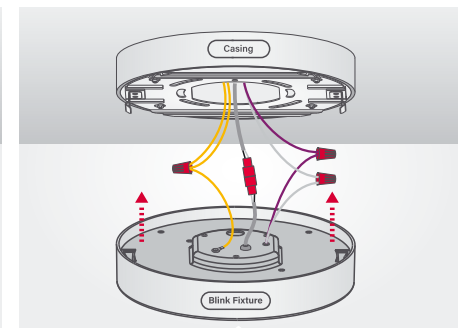


Snap fixture into mounting bracket. Carefully push connections back in to the J-Box. Align the two clips and driver on the fixture body to the opening of the J-Box Mounting bracket. Push to lock the fixture in place.

**OPTION C
FOR 0-10V DIMMING
PLEASE REFER TO BELOW DIAGRAM:**



Install fixture mounting bracket to the battery backup or empty casing, using included (4) screws.



Snap into place. Carefully push connections back in to the J-Box. Align the two clips and driver on the fixture body to the opening of the J-Box Mounting bracket. Push to lock the fixture in place.