

LED HIGH LUMEN UTILITY LAMP

Models: S13118, S13119

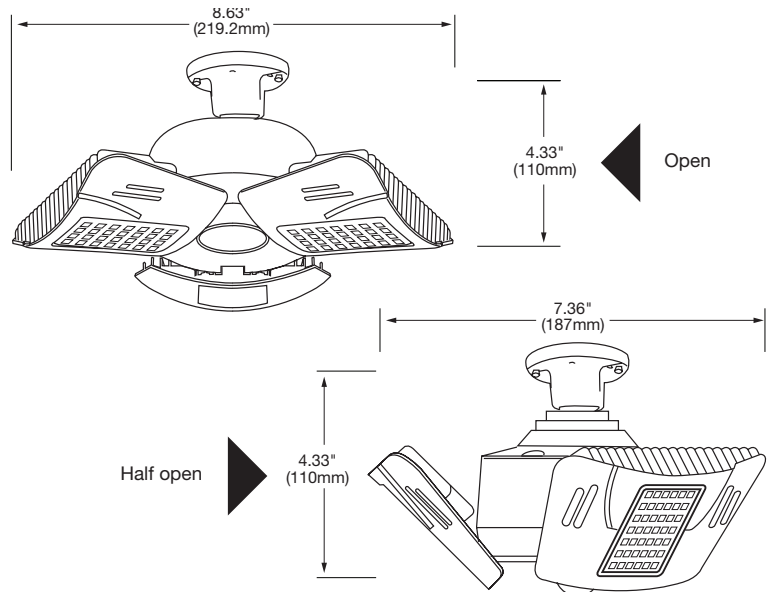


INSTALLATION AND SAFETY INSTRUCTIONS

IMPORTANT: Read before installing fixture. Retain for future reference.

WARNING:

- **BEFORE YOU BEGIN:** Read these instructions completely and carefully. To avoid personal injury and/or product damage, all of the instructions below must be followed.
- **CAUTION:** If the lamp or luminaire exhibits undesirable operation (buzzing, flickering, etc), immediately turn off power, remove lamp from luminaire and contact the manufacturer or distributor.
- **WARNING:** Risk of fire or electric shock. LED Retrofit Kit installation requires knowledge of luminaire electrical systems. If not qualified, do not attempt installation. Contact a qualified electrician. Installation should be performed only by a qualified electrician in accordance with Nation Electrical Code and relevant local code.
- **WARNING:** Risk of fire or electric shock. Install this kit only in the luminaires that have the construction features and dimensions written and shown in the photographs and or drawings and where the input rating of the retrofit kit does not exceed the input rating of luminaire.
- **WARNING:** To prevent wiring damage or abrasion, do not expose wiring to edges of sheet metal or other sharp objects.
- Disconnect power at the source before installation, inspection or removal. Do not simply switch off fixture.
- This item is rated at 100-277VAC. Installer must determine whether line voltage 100-277VAC is available at the luminaire before installation.
- Not intended for use with emergency exit fixtures or emergency exit lights.
- Not for use with luminaire ballast.
- Do not use if product is damaged.
- This lamp is non-dimmable. Not for use with dimmer.
- Do not make or alter any open holes in an enclosure of wiring or electrical components during kit installation.
- Risk of fire or electric shock. Do not open or modify. No user serviceable parts inside.



- Installers should not disconnect existing wires from lamp holder terminals to make new connections at lamp holder terminals. Instead, installers should cut existing lamp holder leads away from the lamp holder and make new electrical connections to lamp holder lead wires by employing applicable connections.
- Suitable for damp locations. Not for use where directly exposed to the weather or water.
- Complies with part 15 of FCC. Operation is subject to the following two conditions: This device may not cause harmful interference, and this device must accept any interference received including interference that may cause undesired operation.
- No external weight or mechanical force should be applied to lamp or components.
- The retrofit assembly is accepted as a component of a luminaire where the suitability of the combination shall be determined by UL or authorities having jurisdiction.

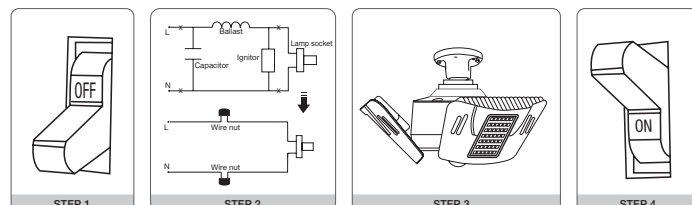
INSTALLATION:

STEP 1: Turn off the power to the fixture.

STEP 2: Open the fixture's junction box and bypass the HID ballast, ignitor (if there) and the capacitor (if there) by disconnecting the line and neutral wires and socket black and white wires in the locations with "cross" marks in the schematic diagram. Then connect the line to the black wire from the socket and the neutral to the white wire from the socket with wire nuts or connectors.

STEP 3: "This luminaire has been modified to operate LED lamps" shall be marked on the retrofit luminaire where readily visible by the user during normal maintenance including re-lamping.

STEP 4: Turn on the power to the fixture.



SENSOR INSTALLATION:

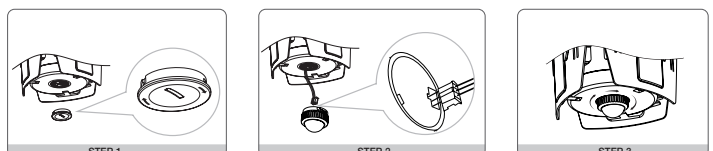
STEP 1: Turn off the power to the fixture.

STEP 2: Turn off the Line Cap in arrow reverse direction.

STEP 3: Take out the leadwire and switch in the sensor pins.

STEP 4: Screw and fix sensor in arrow direction.

The bulge part of the leadwire must be compatible with the groove of the sensor.



Satco Products, Inc.
Brentwood, NY 11717