



Operation Instruction

— External Driver

Product Name: LED T5 Tube Series

Product Model: External Driver Lamp

Product Models Included:

S11942-23T5/LED/48-835/XD 120-277V

S11943-23T5/LED/48-840/XD 120-277V

S11944-23T5/LED/48-850/XD 120-277V

1.Product Features:

- c-UL-us Classified and Recognized
- Full glass housing: No aging yellowing bending

2.Product Applications:

Widely used in residential buildings, offices, shopping malls, supermarkets, hospitals, assembly lines, warehouses, etc. for energy saving illumination.

3.Installation Instructions:

Please completely comply with this instructions and notes, to ensure that the product is operated in a safe condition.

Safety Precautions :

For your and others' safety, please read the precaution carefully before installation:

- (1). Product should be installed by qualified electrician.
- (2). Switch off the power supply before commencing work, make sure correct connection before power on.
- (3). Do not apply uncertified LED driver with the product.



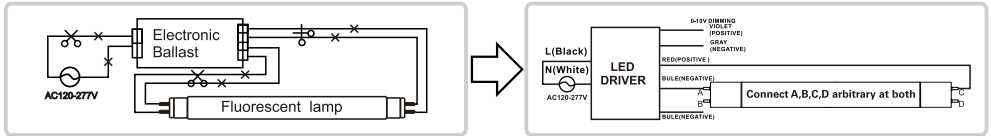
Satco Products, Inc

110 Heartland Blvd.Brentwood, NY 11717

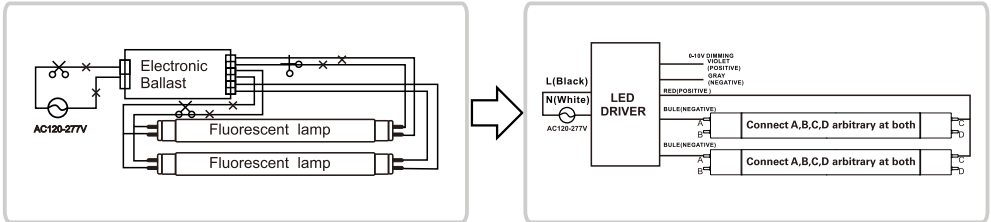
www.satco.com

Wiring Instruction - Electronic Ballast

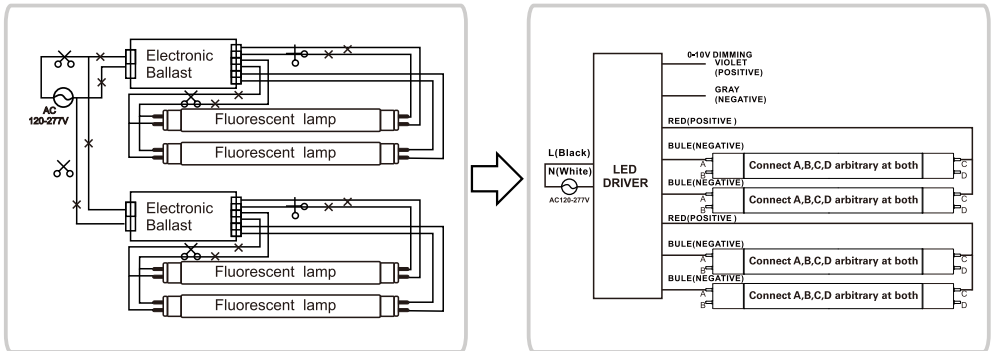
Retrofit luminaire with 1 lamp



Retrofit luminaire with 2 lamps

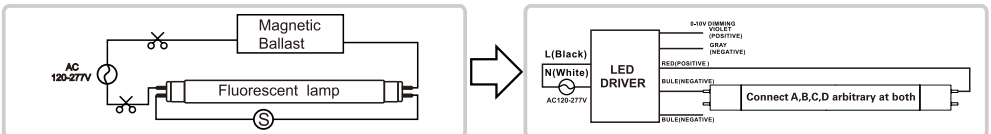


Retrofit luminaire with 4 lamps



Wiring Instruction - Magnetic Ballast

Retrofit luminaire Magnetic Ballast



 **WARNING:**

WARNING - Risk of fire or electric shock. Luminaire wiring and electrical parts may be damaged when drilling for installation of LED retrofit kit. Check for enclosed wiring and components.

AVERTISSEMENT - Risque d'incendie ou de choc électrique. Câblage du luminaire et pièces électriques peuvent être endommagés lors du forage pour l'installation du kit de conversion à DEL. Vérifier le câblage et les composants clos.

WARNING - Risk of fire or electric shock. LED Retrofit Kit installation requires knowledge of luminaires electrical systems. If not qualified, do not attempt installation. Contact a qualified electrician.

AVERTISSEMENT - Risque d'incendie ou de choc électrique. Installation du kit de Retrofit LED exige une connaissance des systèmes électriques luminaires. Si vous n'êtes pas qualifié, ne tentez pas de l'installation. Contactez un électricien qualifié.

WARNING - Risk of fire or electric shock. Install this kit only in luminaires that have the construction features and dimensions shown in the photographs and/or drawings and where the input rating of the retrofit kit does not exceed the input rating of the luminaire.

AVERTISSEMENT - Risque d'incendie ou de choc électrique. Installez ce kit dans les luminaires qui ont les caractéristiques de construction et les dimensions indiquées dans les photographies et / ou dessins et où la cote d'entrée du kit de modification ne dépasse pas la capacité d'entrée du luminaire.

WARNING - To prevent wiring damage or abrasion, do not expose wiring to edges of sheet metal or other sharp objects.

AVERTISSEMENT - Pour éviter d'endommager le câblage, ne pas exposer les fils sur les bords de tôle métalliques ou sur d'autres objets pointus.

NOT FOR EMERGENCY LIGHTING

THIS RETROFIT KIT IS ACCEPTED AS A COMPONENT OF A LUMINAIRE WHERE THE SUITABILITY OF THE COMBINATION SHALL BE DETERMINED BY AUTHORITIES HAVING JURISDICTION.

Installers should not disconnect existing wires from lampholder terminals to make new connections at lampholder terminals. Instead installers should cut existing lampholder leads away from the lampholder and make new electrical connections to lampholder lead wires by employing applicable connectors. All electrical connections shall be provided within an enclosure.

The units covered by this report were intended to retrofit surface mount with diffuser, Type IC or non-IC recessed mount Listed fluorescent luminaires that use maximum four lamps, the minimum lamp compartment dimensions are tabulated below.

Model Number	MINIMUM LAMP COMPARTMENT DIMENSIONS [Length x Width x Height] [cm]	Lamp Quantity
S11942-23T5/LED/48-835/XD S11943-23T5/LED/48-840/XD S11944-23T5/LED/48-850/XD	120 x 60 x 5	4

Tested with below ballast. See instructions or website for more information on ballast compatibility.

Driver MFR	Driver Model	Max Lamp Quantity
SATCO Products, Inc. (EXXXXXX)	S801X (X is range from 4-5)	4

Parts/Components included in Kit	
Retrofit Kit Installation Instruction	LED lamps
Luminaire Markings (Affixed to Luminaire)	LED drivers

This device complies with Part 15 of the FCC Rules. Operation is subject to the following two conditions: (1) this device may not cause harmful interference, and (2) this device must accept any interference received, including interference that may cause undesired operation.