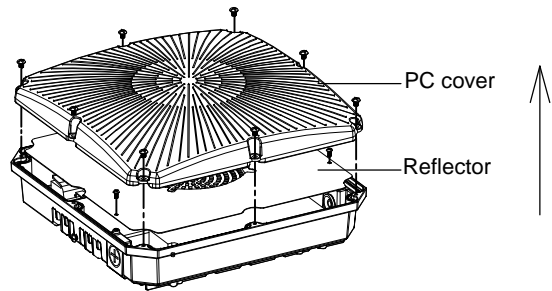
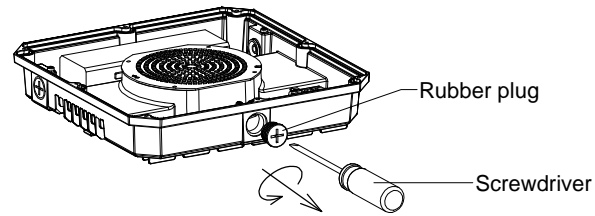


Installation Instruction For Canopy Photoelectric Switch

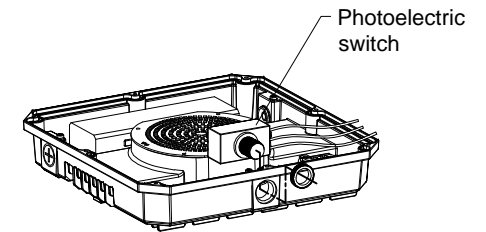
1. Take down the PC cover and reflector.



2. Use a large screwdriver to screw out the rubber plug in the middle.

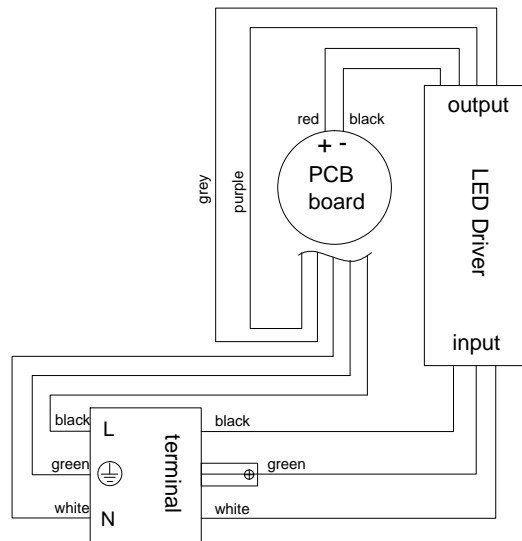


3. Lock the switch to the lamp.

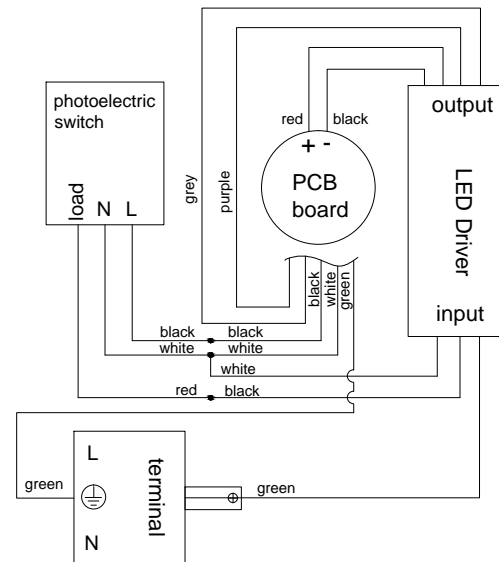


4. Change the wiring mode.

4-1. Original wiring



4-2. Change to the following wiring mode.



5. Install the reflector and PC cover, Installation complete.

