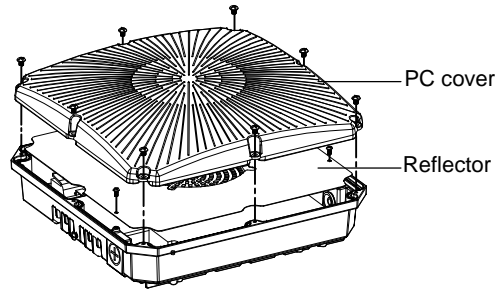
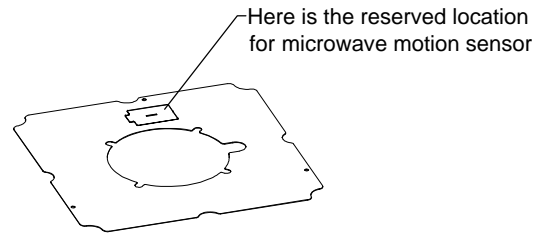


Installation Instruction For Canopy Microwave Motion Sensor

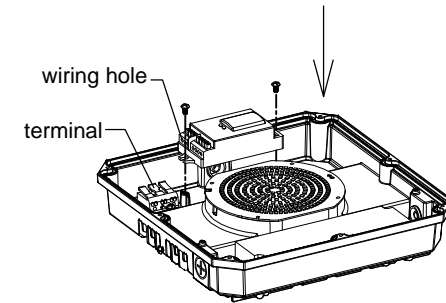
1. Take down the PC cover and reflector.



2. Use hands to break it off.

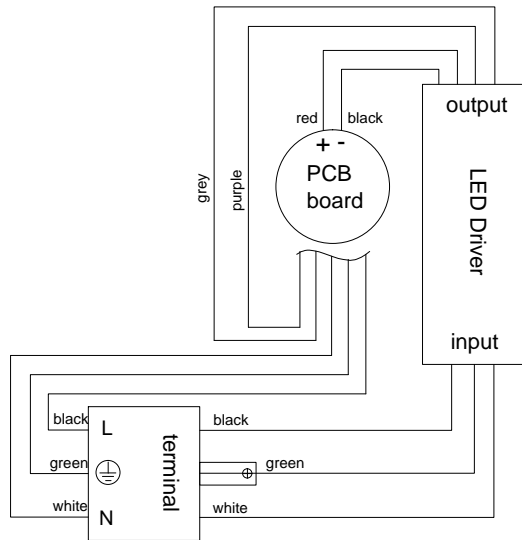


3. Lock the sensor to the lamp with wiring hole terminal end facing the terminal.

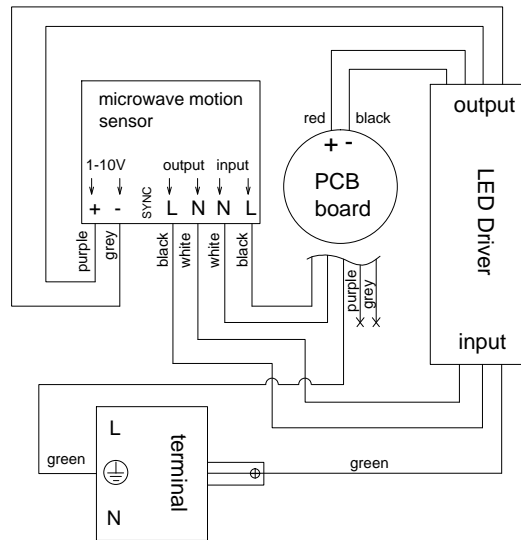


4. Change the wiring mode.

4-1. Original wiring



4-2. Change to the following wiring mode.



5. Install the reflector and PC cover, Installation complete.

