

## Safety and Installation Instructions

### LED Outdoor Bulkhead Fixture



Thank you for purchasing our product. This fixture has been manufactured from components with advanced optoelectronics to ensure high reliability and long life. Before assembling please read this Operation Manual carefully and save in a safe place for future reference. Please note that all electrical connections must be in accordance with local and National Electrical Code standards as well as local building codes. In case you are not familiar with proper wiring connections and building codes, consult a qualified electrician.

### Safety recommendations

1. Risk of electric shock – this product must be installed in accordance with applicable installation codes by a person familiar with mentioned above codes and hazards involved. disconnect power at circuit breaker or fuse before installing or servicing.
2. Before use of the product carefully read the whole Operation Manual.
3. The product is suitable for wet locations.
4. Protect the product against direct contact with water. (Do not immerse in water).
5. Assemble the product only with the use of parts provided and the housing; improper assembly may result in device failing which could damage the product, personal property or cause injury.
6. Assembly shall follow with accessories delivered with the set only.
7. The device is not a toy, keep out of reach of children.

### Specifications:

LED Outdoor Bulkhead Fixture  
Operating Voltage: 120V  
Power consumption: 18.5W  
Life span: 50,000h  
Color Temp.: 3000K

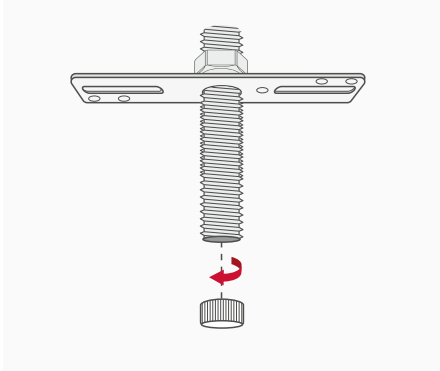
#### Cleaning

- Clean with a soft or damp cloth. While cleaning with the damp cloth make sure the power is off.
- Do not clean with liquids or abrasives.

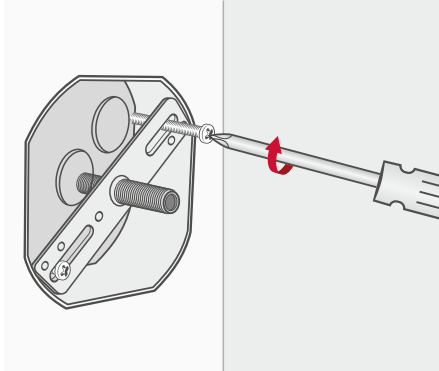
#### 5 Year limited warranty

The purchased product is covered with a 5 year warranty in respect of any defect in material or workmanship after purchase date.

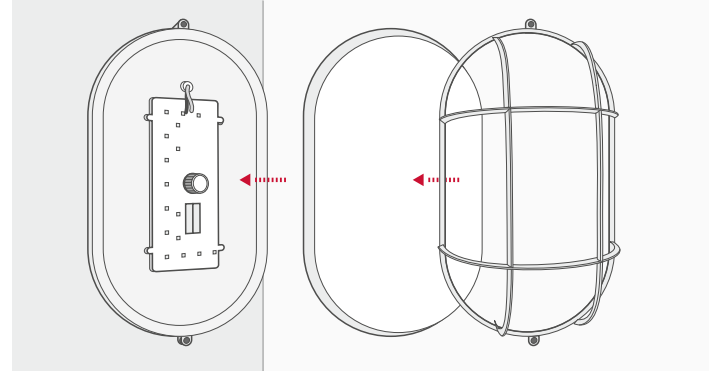
Satco shall bear no responsibility on account of guarantee, as well as shall bear no liability for any faults, in case of improper operation, use negligence, accident or exposure to natural hazard, or excessive use over the limits specified for the unit, or if any unauthorized alteration or repair followed.



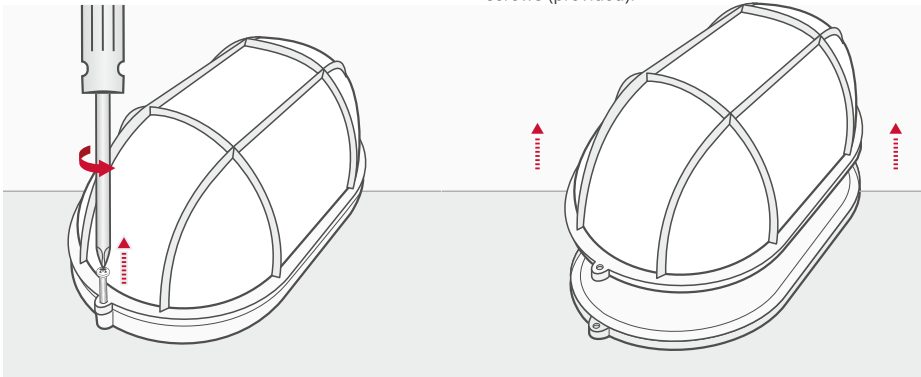
STEP 1: Unscrew the nut from bracket.



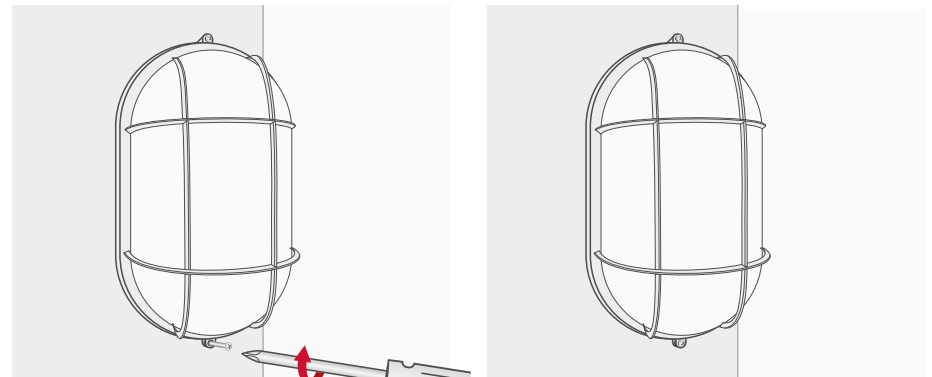
STEP 2: Attach the bracket to jbox using two screws (provided).



STEP 6: Attach lens and cover to the base.

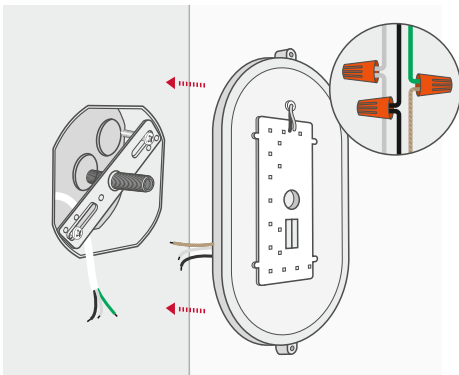


STEP 3: Unscrew the screws and remove cover and lens.

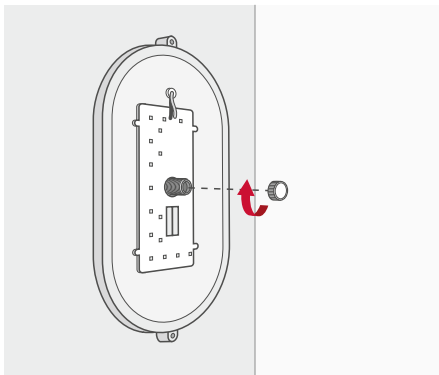


STEP 7: Screw the screws to fixture.

STEP 8: Enjoy Your light!



STEP 4: Make an electrical connection using wire nuts (provided). Connect wires to AC cables from junction box with wire nuts (provided): L side to Black AC wire N side to White AC wire. Ground to Ground wire.



STEP 5: Screw the nut to attach the base to jbox.

ⓘ For wet location usage, use silicon to form a protective seal around the fixture.