



A CSW Industrials Company

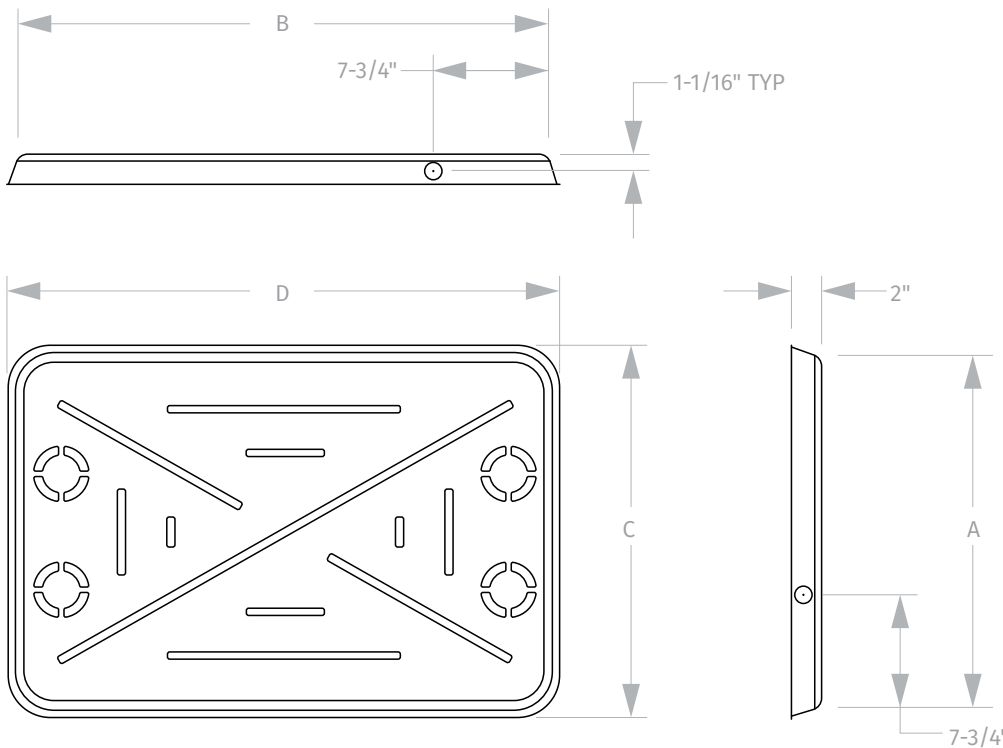
PRODUCT DATA SHEET

TITAN™ METAL SERIES
Metal Secondary Drain Pans

Description

Titan Metal Series Drain Pans are used to collect condensate from evaporator coils in case of overflow.

Each drain pan features quality, one-piece construction of 24-gauge galvanized steel that will not rust. The smooth, rolled edges on all sides ensure safety. Two drain plug outlets on the short and long sides offer flexibility during installation. The fittings are included and are securely attached to each pan. 8 sizes are available to fit the needs of any contractor. In addition, the pans are nestable for easy storage at the distributor.



Applications

- A/C Secondary Condensate Drain Pan
- Collect condensate from evaporator coils in case of overflow

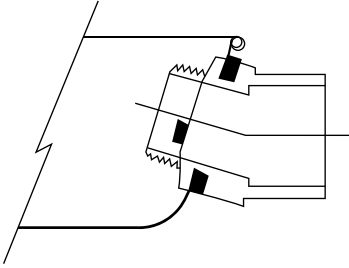
Characteristics | Features

- Premium craftsmanship
- 24-gauge galvanized steel
- 1-piece construction
- Smooth rolled edge
- No seams
- Fittings included, securely attached to each pan
- Nestable for easy storage
- 8 sizes to fit the needs of any contractor
- Two drain plug outlets on the short and long sides offer flexibility during installation
- Compatible with Safe-T-Switch® Condensate overflow switches and AquaGuard® condensate overflow switches

PRODUCT					PACKAGING		
Model	Dimensions				Quantity (per case)	Dimensions (in - L x W x H)	Cubic Feet
	A	B	C	D			
96241 - 24" x 36"	24"	36"	25 3/8"	37 3/8"	5	37" X 24" X 2"	1.816
96242 - 26" x 26"	26"	26"	27 3/8"	27 3/8"	5	27" X 27" X 2"	1.475
96243 - 30" x 66"	30"	66"	31 3/8"	67 3/8"	5	67" x 31" x 2"	4.109
96244 - 32" x 36"	32"	36"	33 3/8"	37 3/8"	5	37" x 33" x 2"	2.432
96245 - 32" x 48"	32"	48"	33 3/8"	49 3/8"	5	49" x 33" x 2"	3.221
96246 - 32" x 62"	32"	62"	33 3/8"	63 3/8"	5	63" x 33" x 2"	4.107
96247 - 30" x 60"	30"	60"	31 3/8"	61 3/8"	5	61" x 32" x 2"	3.776
96248 - 30" x 30"	30"	30"	31 3/8"	31 3/8"	5	32" x 32" x 2"	1.926

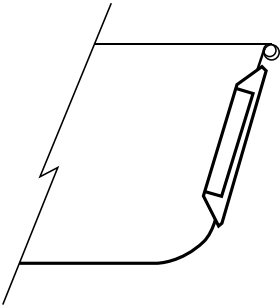
Installation Instructions

Drain Fitting Detail



1. Install black rubber washer on to threaded end of the drain pan coupling.
2. Insert the drain pan fitting with rubber washer from the outside of the drain pan.
3. Install the locking nut onto the threads of the drain pan fitting on the inside of the drain pan.

Hole Plug Installation Detail



1. Install rubber hole plug from the outside of the drain pan.
2. Make sure that the back flange of the rubber hole plus is completely insterted into the hole.
3. Ensure the back flange of the rubber hole plug is completely flush with inside of the drain pan surface.

Limited Warranty



For more information on our product warranty, visit rectorseal.com.

Manufactured for

Rectorseal, LLC

2601 Spenwick Drive • Houston, TX 77055, USA • 800-231-3345 • Fax 800-441-0051 • rectorseal.com

3255 Wyandotte St East Windsor, ON N8Y 1E9 • Canada • 519-966-4901

A CSW Industrials Company. Rectorseal, the logos and other trademarks are property of Rectorseal, LLC, its affiliates or its licensors and are protected by copyright, trademark and other intellectual property laws, and may not be used without permission. Rectorseal reserves the right to change specifications without prior notice. ©2023 Rectorseal. All rights reserved. R50478-0823