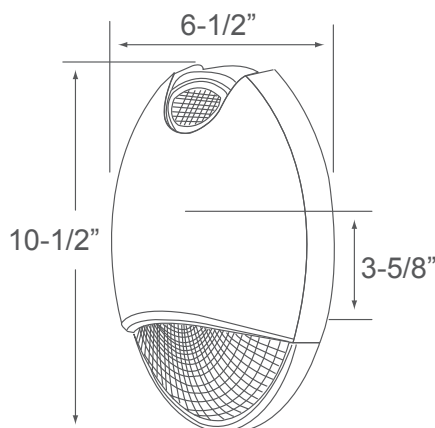


REL7LED

120V-277V Universal Voltage

Catalog #:		Type
Project:		Date
Prepared by:		

Outdoor Die Cast Emergency



DESCRIPTION

Appropriate for outdoor applications requiring both general illumination and emergency lighting from the same unit, the REL7LED has a photocell included and has a self-diagnostic function. Also available for cold weather applications.

DESIGN FEATURES

Construction

- Die-cast aluminum housing
- Polycarbonate lens and mirror reflector with flame rating (UL94-5VA)

Electrical

- 120-277V AC | 60 Hz | 15W Input
- Built-in photocell sensor
- Contains 4.8V, 1800mAh Ni-cd rechargeable battery
- 90 minutes operation during power failure
- Automatic low voltage disconnect protects against deep discharge
- 24 hour recharge
- Equipped with test switch (a test switch pilot light)
- Self-diagnostic / self test
- 50,000 hour projected life
- Output: 11W, 6V, 5000K, 80 CRI Lamp Heads | AC Mode: 1000 lms (delivered) | EM Mode: 250 lms (delivered)
- Option for Sensor or Wall Switch function

Operating Temperature

- REL7 – 0°C (32°F) to 50°C (122°F)
- REL7-C – 20°C (-4°F) to 50°C (122°F)

Certifications

- UL Listed to UL924 Standards for wet location
- IP65 Rated
- LED Lamps: 5 Year Limited Warranty
- Other Components: 1 Year Limited Warranty

ORDERING

Example: REL7LED-OB-C

Model #	Finish	Cold Weather Option
REL7LED		
REL7LED	-OB : Oil Rubbed Bronze -WH : White	-C : Cold Weather Heatpad



UL924



LED Lamps



Other Components

TEL: 800.937.6925 | Fax: 800.207.9509 | www.rplighting.com

Specifications and dimensions subject to change without notice.

7/12/21 R2



RP LIGHTING · FANS

REL7LED - Outdoor Emergency

REL7LED

120V-277V Universal Voltage

Spacing Charts

REL7LED

