

8919__-1 Series

120V-60Hz

Catalog #:		Type
Project:		Date
Prepared by:		

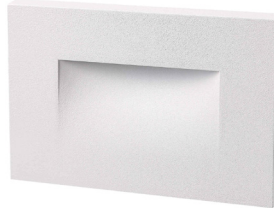
Outdoor LED Mini Step Light



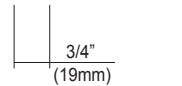
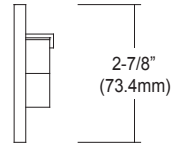
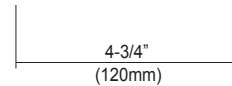
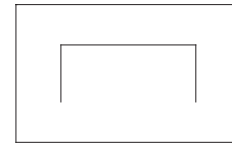
Black



Oil Rubbed Bronze



White



DESCRIPTION

The 8919-1 Outdoor LED Mini Step Light is a easy-to-install low profile fixture that produces an attractive glow. Ideal for lighting low light areas such as corridors or pathways, and can be mounted vertically or horizontally.

DESIGN FEATURES

Construction

- IC rated for direct contact w/ insulation
- Horizontal and vertical louvered front cover included
- Mounts in a standard single gang box
- Acrylic lens

Electrical

- 120V-60Hz
- 50,000 hour projected life
- 10-100% Triac dimming with integrated IC chip embed on board
- 5W, 215lms, 43 lm/W
- Available in 3000K
- CRI 80

Dimensions

- Height 2-7/8" x Width 4-3/4"

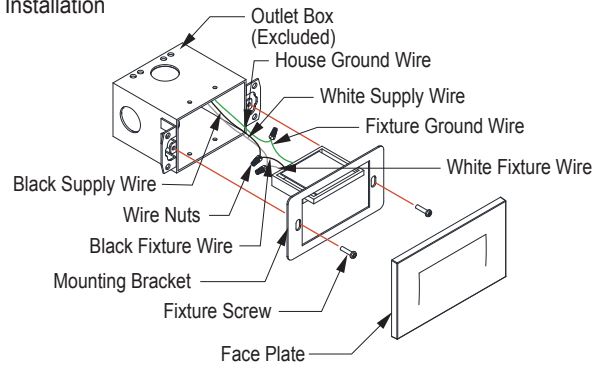
Finish

- Available in white (WH), black (BK), Oil Rubbed Bronze (OB)

Certifications

- cCSAus listed for wet location
- State of California Title 24
- 5 year limited warranty

Installation



ORDERING

Example: 8919WH-1

Model #	Finish
8919__-1	
8919__-1	OB : Oil Rubbed Bronze
	BK : Black
	WH : White

