

## 8121H / 8124H / 8126H LED Non-IC Architectural Downlight Installation Instructions

### ⚠ CAUTIONS

1. To avoid the possibility of electrical shock, turn off power supply before installation or servicing.
2. Product must be installed in accordance with NEC or your local electrical code. If you are not familiar with these codes and requirements, consult a qualified electrician.
3. This fixture must be supported by main runners or other building structure that is capable of supporting fixture weight.
4. Blinking lamp may indicate fixture is too close to insulation or the lamp is of the incorrect wattage or type.

### NOTES:

These luminaire (fixture) is designed for installation where it will not come in contact with insulation. Thermal insulation must be kept a minimum of three inches 3" away from the housing.

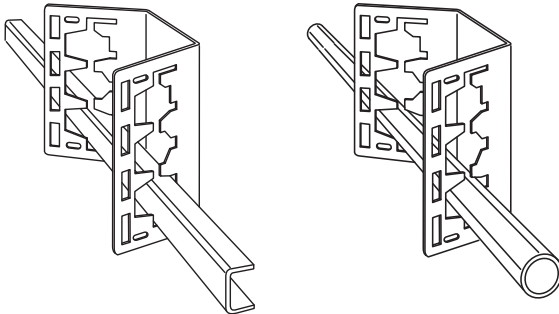
### INSTALLATION

1. Mark a spot on the ceiling to indicate the fixture location.
2. Use this mark as a center point and scribe appropriate diameter circle on ceiling :
  - 1) 5-1/8" (for 4" fixtures)
  - 2) 6-1/2" (for 6" fixtures)
  - 3) 8-1/16" (for 8" fixtures)
3. Cut hole accurately using proper cutting tool.

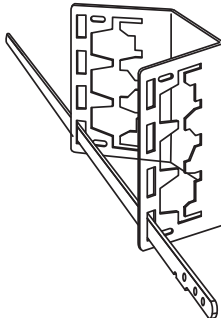
FIGURE 1

1a : C-Channels

1b : 1/2" Conduit

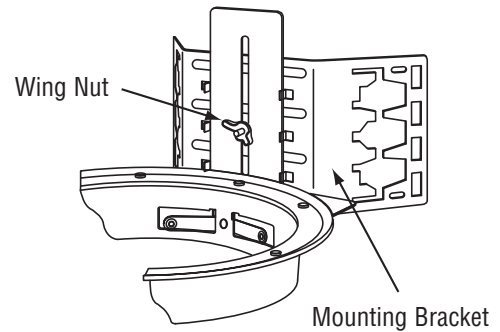


1c : Bar hanger



4. Install housing using adjustable mounting brackets (Fixture must be secured to structural ceiling members)
  - a.) With C-Channels as shown in Fig 1a.
  - b.) With 3/4" and 1-1/2" lathing, or 1/2" conduit (by others) as shown in Fig 1b.
  - c.) With Flat bar hangers (by others) as shown in Fig 1c.
5. Adjust the plaster ring by loosening wing nuts located on each of the hanging brackets (Fig 2).

Figure 2



### ELECTRICAL CONNECTION

1. Provide electrical service according to the "National Electrical Code" or your local electrical code to the junction box on the fixture frame.
2. Remove appropriate size knockout on fixture J-box for conduit connector.
3. Remove J-box cover to J-box by pushing up on spring clip. Attach Conduit with connector to J-box and secure (Fig. 3).
4. Connect supply wires to fixture wires and insulate with proper size wire nuts (not provided).
  - a.) Connect incoming ground wire (green or bare) to fixture ground wire (green or bare).
  - b.) Connect incoming common (white) wire to fixture common (white).
  - c.) Connect incoming hot (typically black) wire to fixture black wire.
5. Replace J-box cover.

Figure 3

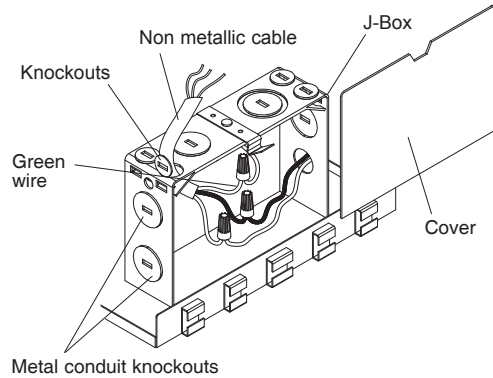
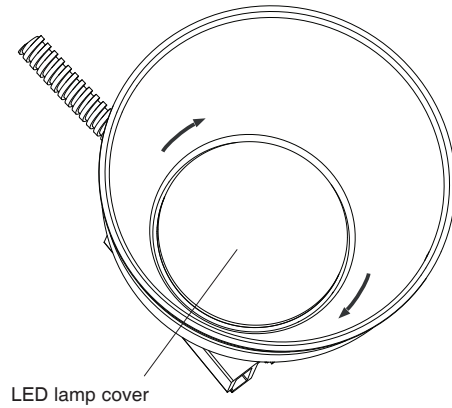


Figure 5



### Reflector Installation

1. Assemble reflector by placing holes over attached screws, turn until locked and tighten if necessary on the LED engine.
2. Reattach the lamp cover by placing screws over the holes and twist until it is secure. (Fig. 5)

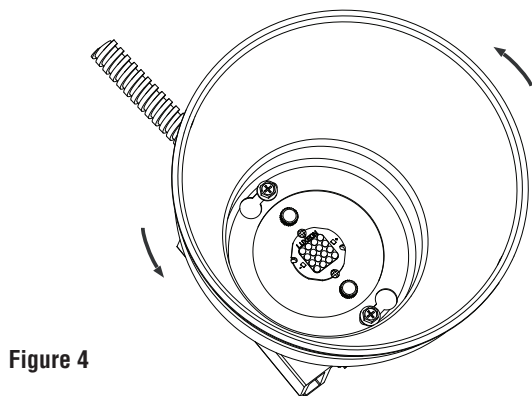
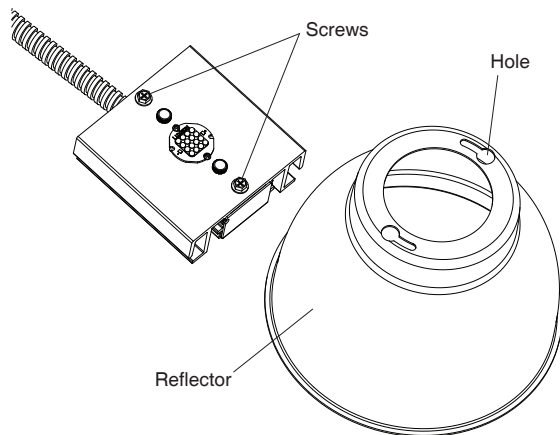


Figure 4

### Installation Into recessed housing

1. Plug the female connector of the retrofit-kit onto the male connector of the flexible conduit whip assembly. (Fig. 6)
2. Connect disconnect case (Patent pending) by snap-on fit.
3. Tuck flexible conduit whip into the housing and carefully push the retrofit-kit into existing housing. (Fig. 7)

Figure 6

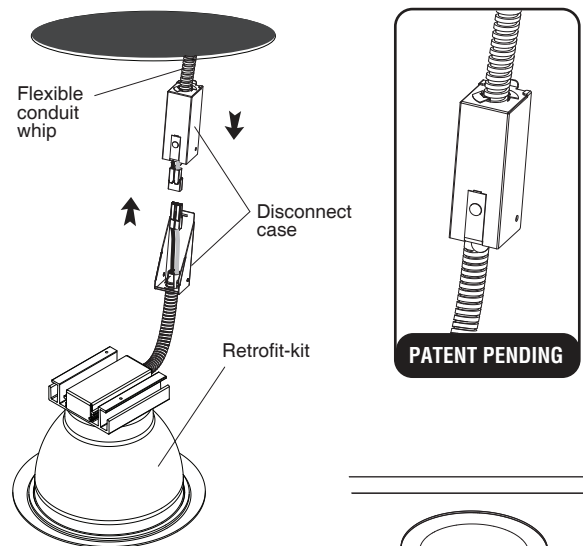


Figure 7

### Wiring Diagram (For 0-10V)

