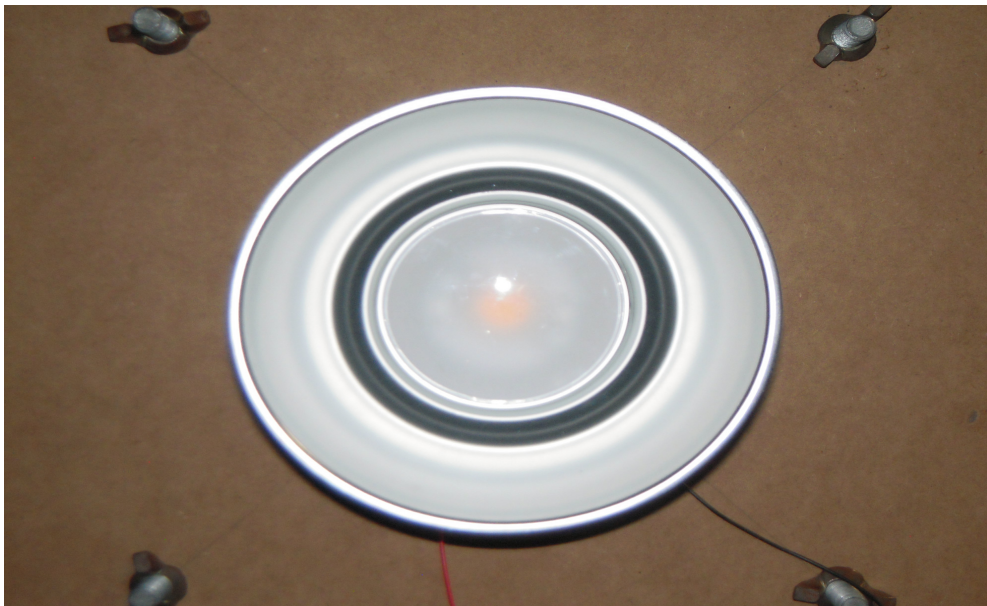


Test Report of Luminaire

Report No.:

Luminaire Type	8122H-23-30		
Lamp Type	LED_CXA2520-R2		
Client		EUT NO.	CCT:3029K, CRI:83.8Ra
Luminaire Parameters:			
Voltage	120.0	Current	0.179
Power:	21.2	Power Factor	0.986
Frequency:	60Hz	Tc	3000K
Photometric Parameters			
Luminaire Flux	1791.29 lm	Luminaire Eff.	Data imperfect...!
Max Intensity	1170.946cd	Central Intensity	965.105cd
Angle of Max Intensity:	C:195 G:30		
Upward Flux Ratio	0.0%		
Downward Flux Ratio	-179129.3%		
50%Imax Beam Width	C0_180[39.4 , -39.0] C90_270[40.2 , -39.1]		
Remark			

Luminaire Figure


RP Lighting + Fans

Photometric Data Table [Unit:cd] 8122H-23-30

C\G	0	5	10	15	20	25	30	35	40	45
0	965.1	959.3	959.0	976.3	1035.1	1120.9	1154.9	918.6	542.7	315.1
5	965.1	959.0	959.0	976.3	1034.8	1121.2	1154.9	918.9	543.7	315.8
10	965.1	959.0	959.0	976.3	1034.1	1120.5	1154.3	918.6	545.4	317.1
15	965.1	959.0	959.0	976.0	1033.8	1119.5	1153.3	918.3	547.1	318.1
20	965.1	959.0	959.0	976.0	1032.8	1118.5	1152.3	918.9	549.4	320.1
25	965.1	959.0	959.0	976.0	1032.1	1117.2	1151.3	920.3	552.4	322.1
30	965.1	959.0	959.3	975.7	1031.4	1115.2	1150.3	922.9	555.8	324.4
35	965.1	959.3	959.3	975.7	1030.4	1113.5	1148.9	925.9	559.4	327.1
40	965.1	959.7	959.3	975.7	1029.4	1112.2	1147.9	929.3	563.8	330.1
45	965.1	959.3	959.7	975.7	1029.1	1111.2	1147.6	932.6	568.1	333.1
50	965.1	959.7	960.0	976.0	1028.7	1110.5	1148.9	937.3	572.5	336.1
55	965.1	959.7	960.7	976.7	1028.7	1110.5	1149.6	942.0	577.5	339.1
60	965.1	960.0	961.0	976.7	1028.7	1110.2	1149.6	946.0	582.1	342.1
65	965.1	960.3	961.3	977.0	1029.1	1110.2	1149.9	950.0	586.5	344.8
70	965.1	960.7	962.0	977.7	1029.8	1110.5	1150.6	954.0	590.1	347.8
75	965.1	960.7	962.3	978.3	1030.8	1111.2	1151.6	956.7	593.5	349.8
80	965.1	961.0	963.0	979.3	1031.8	1111.9	1151.6	959.0	596.2	351.8
85	965.1	961.3	963.3	980.0	1032.8	1112.9	1151.9	959.7	597.5	353.5
90	965.1	961.7	964.0	980.7	1034.1	1113.9	1151.6	959.0	597.2	353.8
95	965.1	962.0	964.7	982.0	1035.8	1114.9	1151.6	957.3	594.8	353.2
100	965.1	962.0	965.0	983.4	1037.4	1116.2	1151.9	954.3	591.1	351.2
105	965.1	962.3	965.7	984.7	1039.4	1118.2	1152.9	951.0	586.1	348.1
110	965.1	962.3	966.3	986.0	1042.1	1121.5	1155.3	947.6	580.5	344.1
115	965.1	962.7	967.0	987.4	1044.8	1124.9	1157.3	943.6	573.8	339.8
120	965.1	962.7	967.3	988.7	1047.4	1128.2	1159.6	939.3	566.4	334.5
125	965.1	963.0	968.0	990.0	1050.4	1131.2	1162.3	934.3	559.1	329.1
130	965.1	963.0	968.7	991.4	1053.1	1134.6	1164.9	929.3	551.1	323.8
135	965.1	963.0	969.3	992.4	1056.1	1138.6	1166.6	923.3	543.7	318.8
140	965.1	963.3	970.0	993.7	1059.5	1141.6	1167.6	915.9	534.7	313.4
145	965.1	963.3	970.7	995.0	1061.8	1144.2	1167.6	907.6	526.4	308.8
150	965.1	963.7	971.7	995.7	1064.1	1145.9	1165.3	898.2	518.0	304.1
155	965.1	963.7	972.0	996.7	1065.8	1146.2	1161.6	888.6	510.7	300.1
160	965.1	963.7	972.7	997.4	1067.1	1146.9	1158.3	880.9	505.0	297.4
165	965.1	963.7	973.0	997.7	1067.8	1146.9	1157.3	877.5	502.7	296.1
170	965.1	963.7	973.3	998.0	1068.5	1147.9	1159.3	878.5	504.0	296.1
175	965.1	963.7	973.7	998.4	1069.1	1149.2	1162.3	883.2	508.0	297.4
180	965.1	963.7	974.0	998.4	1069.5	1149.9	1164.9	888.6	513.4	299.4
185	965.1	963.3	974.0	998.0	1069.5	1150.6	1167.9	893.9	519.0	302.1
190	965.1	963.3	973.7	997.7	1069.1	1150.6	1169.6	897.9	525.1	305.4
195	965.1	963.3	973.3	997.7	1068.5	1149.9	1170.9	901.2	530.4	308.1
200	965.1	963.0	973.0	997.0	1067.1	1148.6	1169.9	903.6	535.4	310.8
205	965.1	962.7	972.7	996.4	1066.1	1146.6	1167.9	904.6	540.1	313.1
210	965.1	962.3	972.0	995.4	1064.8	1144.9	1165.9	904.6	543.4	315.4
215	965.1	962.0	971.3	994.0	1063.1	1142.2	1163.3	903.6	546.4	317.1
220	965.1	961.7	970.3	992.7	1061.1	1139.6	1160.3	901.9	548.1	318.1
225	965.1	961.3	969.7	991.4	1059.1	1136.6	1156.3	898.9	548.8	318.8
230	965.1	961.0	969.0	990.0	1056.1	1133.2	1151.9	895.2	548.1	318.4
235	965.1	960.7	968.0	988.7	1053.5	1129.2	1146.9	890.6	547.1	317.8

RP Lighting + Fans

Photometric Data Table [Unit:cd] 8122H-23-30

240	965.1	960.3	967.3	986.7	1050.1	1124.5	1141.2	884.9	544.4	316.4
245	965.1	959.7	966.3	985.0	1046.4	1119.9	1134.9	878.2	541.1	314.8
250	965.1	959.7	965.7	983.4	1043.8	1116.5	1129.6	871.5	537.1	313.1
255	965.1	959.0	965.0	982.7	1041.4	1114.2	1126.6	865.9	533.1	311.4
260	965.1	958.7	964.0	981.7	1040.8	1113.5	1124.9	861.2	529.7	310.1
265	965.1	958.3	963.7	981.4	1040.4	1114.2	1124.5	858.5	527.7	309.4
270	965.1	958.0	962.7	981.0	1041.1	1115.5	1124.9	857.2	525.7	308.8
275	965.1	958.0	962.3	981.0	1041.8	1116.9	1125.5	856.8	525.1	308.8
280	965.1	957.7	962.0	980.7	1042.1	1117.5	1126.9	857.8	524.7	308.8
285	965.1	957.3	961.0	980.7	1041.8	1117.9	1128.9	860.2	525.1	308.8
290	965.1	957.3	960.3	980.7	1041.8	1118.5	1131.2	863.5	525.7	309.1
295	965.1	957.3	959.7	980.7	1041.8	1119.5	1134.2	868.2	527.7	309.4
300	965.1	957.0	959.3	980.3	1041.4	1120.9	1138.2	874.9	530.4	310.4
305	965.1	957.0	959.0	980.3	1041.8	1123.2	1143.6	883.9	534.7	311.8
310	965.1	956.7	958.3	980.0	1041.4	1124.9	1149.6	894.6	540.1	313.1
315	965.1	956.7	958.3	979.7	1041.1	1127.2	1154.6	903.9	544.8	314.8
320	965.1	956.3	958.0	979.0	1040.8	1127.6	1158.3	910.3	547.1	315.8
325	965.1	956.3	957.7	978.0	1039.4	1127.2	1157.9	912.6	546.8	315.8
330	965.1	956.3	957.7	977.3	1038.8	1125.9	1156.9	913.3	545.1	315.1
335	965.1	956.3	957.3	977.0	1037.8	1124.9	1156.9	914.3	543.4	314.4
340	965.1	956.3	957.3	976.3	1036.8	1123.2	1155.9	915.3	542.7	314.4
345	965.1	956.0	957.0	976.0	1035.4	1120.9	1153.3	915.9	542.4	314.4
350	965.1	956.3	957.0	975.3	1034.4	1119.2	1151.9	916.6	541.7	313.8
355	965.1	956.3	956.7	975.0	1034.1	1118.9	1152.9	916.9	541.7	314.1
360	965.1	959.3	959.0	976.3	1035.1	1120.9	1154.9	918.6	542.7	315.1

C\G	50	55	60	65	70	75	80	85	90
0	159.6	64.7	27.7	14.6	8.6	5.2	3.0	1.4	0.5
5	160.2	65.1	27.8	14.7	8.6	5.2	3.0	1.4	0.5
10	161.0	65.7	28.0	14.7	8.7	5.2	3.0	1.4	0.5
15	162.1	66.3	28.3	14.8	8.7	5.2	3.0	1.4	0.5
20	163.3	67.2	28.5	14.9	8.7	5.2	3.0	1.4	0.5
25	164.7	68.1	28.8	15.0	8.8	5.2	3.0	1.4	0.5
30	166.3	69.1	29.2	15.1	8.8	5.3	3.0	1.4	0.5
35	167.9	70.2	29.6	15.2	8.8	5.3	3.0	1.4	0.5
40	169.9	71.5	30.0	15.4	8.9	5.3	3.0	1.4	0.5
45	171.8	72.8	30.5	15.5	9.0	5.3	3.0	1.4	0.5
50	173.9	74.1	31.0	15.7	9.1	5.4	3.1	1.4	0.5
55	176.0	75.5	31.5	15.9	9.1	5.4	3.1	1.5	0.5
60	178.1	76.9	32.1	16.1	9.2	5.5	3.1	1.4	0.5
65	180.2	78.2	32.7	16.3	9.3	5.5	3.1	1.4	0.5
70	182.0	79.5	33.3	16.6	9.4	5.5	3.2	1.5	0.5
75	183.6	80.5	33.8	16.8	9.5	5.6	3.2	1.5	0.5
80	184.9	81.4	34.3	17.0	9.6	5.6	3.2	1.5	0.5
85	185.8	81.9	34.6	17.2	9.7	5.7	3.2	1.5	0.5
90	186.1	82.0	34.8	17.3	9.8	5.7	3.2	1.5	0.5
95	185.8	81.6	34.8	17.4	9.8	5.7	3.2	1.5	0.5
100	184.7	80.8	34.6	17.3	9.8	5.7	3.2	1.5	0.5

RP Lighting + Fans

Photometric Data Table [Unit:cd] 8122H-23-30

105	183.0	79.5	34.1	17.2	9.8	5.7	3.2	1.5	0.5
110	180.4	77.8	33.4	16.9	9.7	5.6	3.2	1.5	0.5
115	177.3	75.8	32.6	16.6	9.5	5.6	3.1	1.4	0.5
120	173.9	73.6	31.7	16.3	9.4	5.5	3.1	1.4	0.5
125	170.3	71.3	30.7	15.9	9.2	5.4	3.1	1.4	0.5
130	166.6	68.8	29.7	15.5	9.0	5.3	3.0	1.4	0.5
135	162.8	66.4	28.7	15.1	8.8	5.2	3.0	1.3	0.5
140	159.1	64.0	27.8	14.7	8.7	5.2	2.9	1.3	0.5
145	155.6	61.8	27.0	14.4	8.5	5.1	2.9	1.3	0.5
150	152.5	59.6	26.2	14.1	8.4	5.0	2.9	1.3	0.5
155	150.0	57.9	25.6	13.9	8.3	4.9	2.8	1.3	0.5
160	148.1	56.8	25.2	13.7	8.2	4.9	2.8	1.3	0.5
165	147.0	56.2	24.9	13.5	8.1	4.8	2.8	1.2	0.5
170	146.7	56.1	24.8	13.5	8.1	4.8	2.8	1.2	0.5
175	147.2	56.5	24.9	13.5	8.0	4.8	2.7	1.2	0.5
180	148.3	57.4	25.1	13.5	8.1	4.8	2.7	1.2	0.5
185	149.8	58.4	25.5	13.6	8.1	4.8	2.7	1.2	0.5
190	151.7	59.6	25.8	13.7	8.1	4.8	2.7	1.2	0.5
195	153.5	60.8	26.2	13.8	8.1	4.8	2.7	1.2	0.5
200	155.2	62.0	26.5	13.9	8.1	4.8	2.7	1.2	0.5
205	156.7	63.1	26.8	14.0	8.2	4.8	2.7	1.2	0.5
210	158.0	64.0	27.1	14.1	8.2	4.8	2.7	1.2	0.5
215	158.9	64.8	27.3	14.2	8.2	4.8	2.7	1.2	0.5
220	159.5	65.3	27.5	14.2	8.2	4.9	2.7	1.2	0.5
225	159.7	65.7	27.6	14.2	8.3	4.8	2.7	1.2	0.5
230	159.7	65.8	27.7	14.3	8.3	4.9	2.7	1.2	0.5
235	159.2	65.8	27.7	14.3	8.3	4.9	2.7	1.2	0.5
240	158.6	65.6	27.6	14.3	8.3	4.9	2.7	1.2	0.5
245	157.7	65.3	27.6	14.3	8.3	4.9	2.8	1.2	0.5
250	156.6	64.9	27.5	14.3	8.3	4.9	2.8	1.2	0.5
255	155.7	64.5	27.5	14.3	8.3	5.0	2.8	1.2	0.5
260	154.9	64.2	27.5	14.4	8.4	5.0	2.8	1.2	0.5
265	154.3	63.9	27.6	14.4	8.4	5.0	2.8	1.2	0.5
270	153.8	63.8	27.7	14.5	8.5	5.0	2.8	1.2	0.5
275	153.6	63.7	27.7	14.6	8.5	5.1	2.8	1.2	0.5
280	153.6	63.7	27.8	14.6	8.6	5.1	2.9	1.2	0.5
285	153.7	63.6	27.8	14.7	8.6	5.1	2.9	1.3	0.5
290	154.1	63.7	27.8	14.6	8.6	5.1	2.9	1.3	0.5
295	154.5	63.9	27.8	14.6	8.6	5.1	2.9	1.3	0.5
300	155.2	64.2	27.8	14.6	8.6	5.1	2.9	1.3	0.5
305	155.9	64.5	27.8	14.6	8.6	5.1	2.9	1.3	0.5
310	156.8	64.8	27.9	14.6	8.6	5.1	2.9	1.3	0.5
315	157.6	65.0	27.9	14.6	8.6	5.1	2.9	1.3	0.5
320	158.2	65.1	27.8	14.6	8.6	5.1	2.9	1.3	0.5
325	158.4	65.0	27.7	14.6	8.6	5.1	2.9	1.3	0.5
330	158.6	64.7	27.6	14.5	8.5	5.1	2.9	1.3	0.5
335	158.6	64.4	27.5	14.5	8.5	5.1	2.9	1.3	0.5
340	158.6	64.1	27.5	14.5	8.6	5.1	2.9	1.3	0.5
345	158.6	64.0	27.4	14.5	8.6	5.1	2.9	1.3	0.5

RP Lighting + Fans

Photometric Data Table [Unit:cd] 8122H-23-30

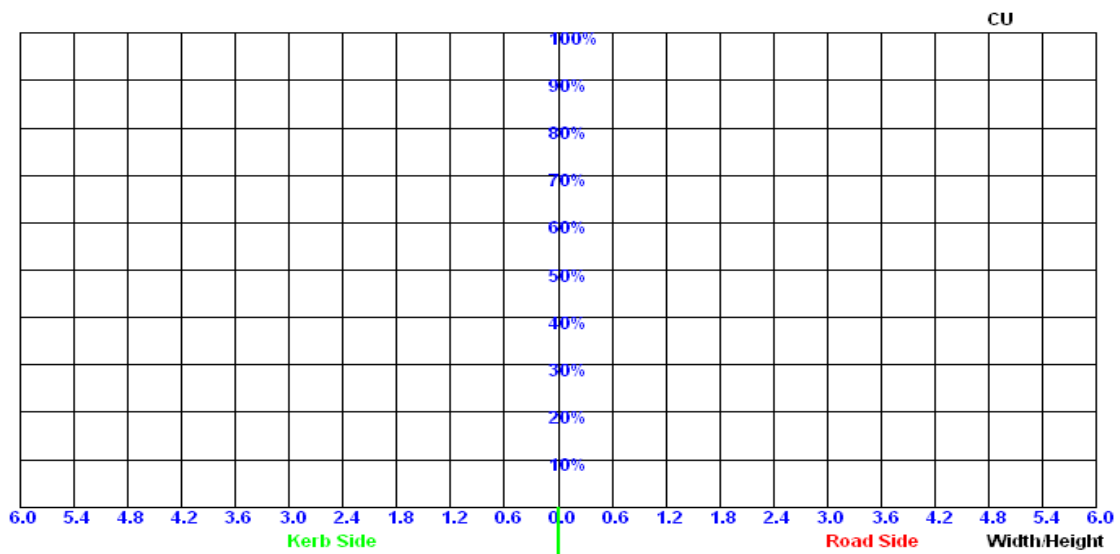
350	158.7	64.1	27.5	14.5	8.6	5.1	2.9	1.3	0.5
355	159.0	64.3	27.5	14.6	8.6	5.2	2.9	1.3	0.5
360	159.6	64.7	27.7	14.6	8.6	5.2	3.0	1.4	0.5

RP Lighting + Fans

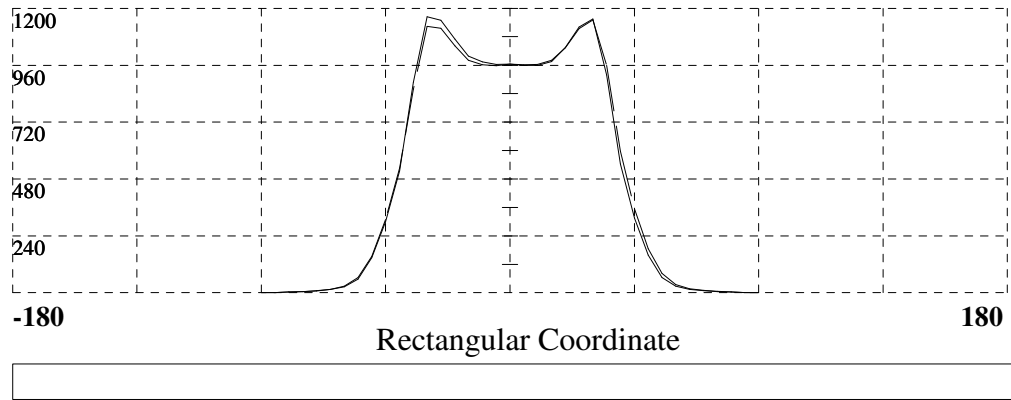
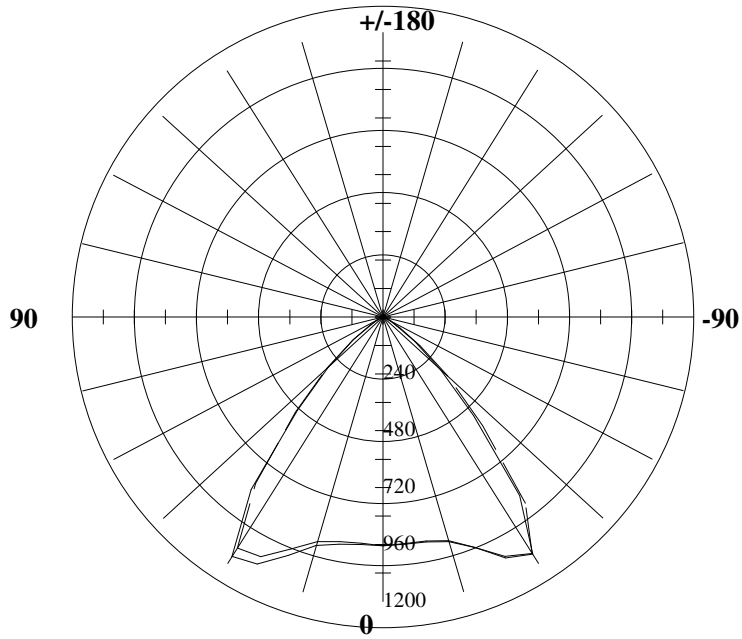
Zonal Flux 8122H-23-30

Gamma [°]	I_{mean} [cd]	Zonal Flux [lm]	Sum.Flux [lm]	Zonal Flux [%]	Sum.Flux [%]
0	965.11	0.00	0.00	0.00	0.00
5	960.21	23.02	23.02	-2301.66	-2301.66
10	964.48	68.85	91.87	-6885.21	-9186.87
15	984.42	115.61	207.48	-11560.75	-20747.62
20	1045.44	167.29	374.77	-16728.89	-37476.51
25	1126.16	227.76	602.53	-22776.09	-60252.59
30	1151.83	288.28	890.81	-28828.13	-89080.72
35	908.88	303.45	1194.26	-30345.29	-119426.03
40	547.09	242.92	1437.18	-24291.72	-143717.71
45	319.99	160.55	1597.72	-16054.65	-159772.39
50	162.41	97.48	1695.20	-9747.60	-169519.97
55	67.12	49.91	1745.11	-4990.81	-174510.79
60	28.72	22.15	1767.26	-2215.39	-176726.14
65	14.91	10.61	1777.87	-1060.75	-177786.89
70	8.71	5.98	1783.85	-598.04	-178384.91
75	5.16	3.63	1787.47	-362.54	-178747.44
80	2.92	2.16	1789.64	-216.35	-178963.81
85	1.32	1.15	1790.79	-115.34	-179079.14
90	0.51	0.50	1791.29	-50.14	-179129.28

RP Lighting + Fans
Coefficient Utilization Curve 8122H-23-30

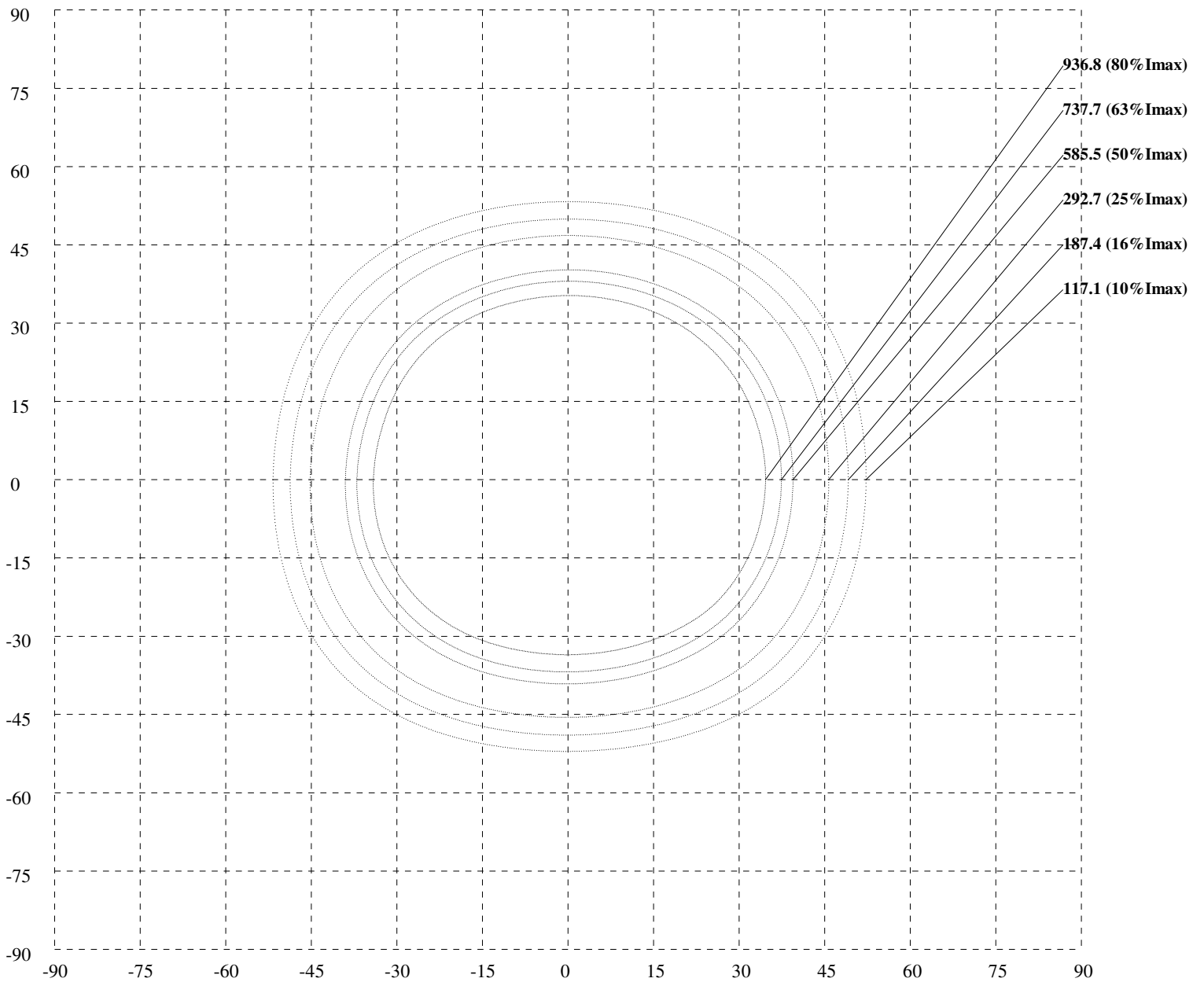


Light Distribution Curve[Unit: cd]



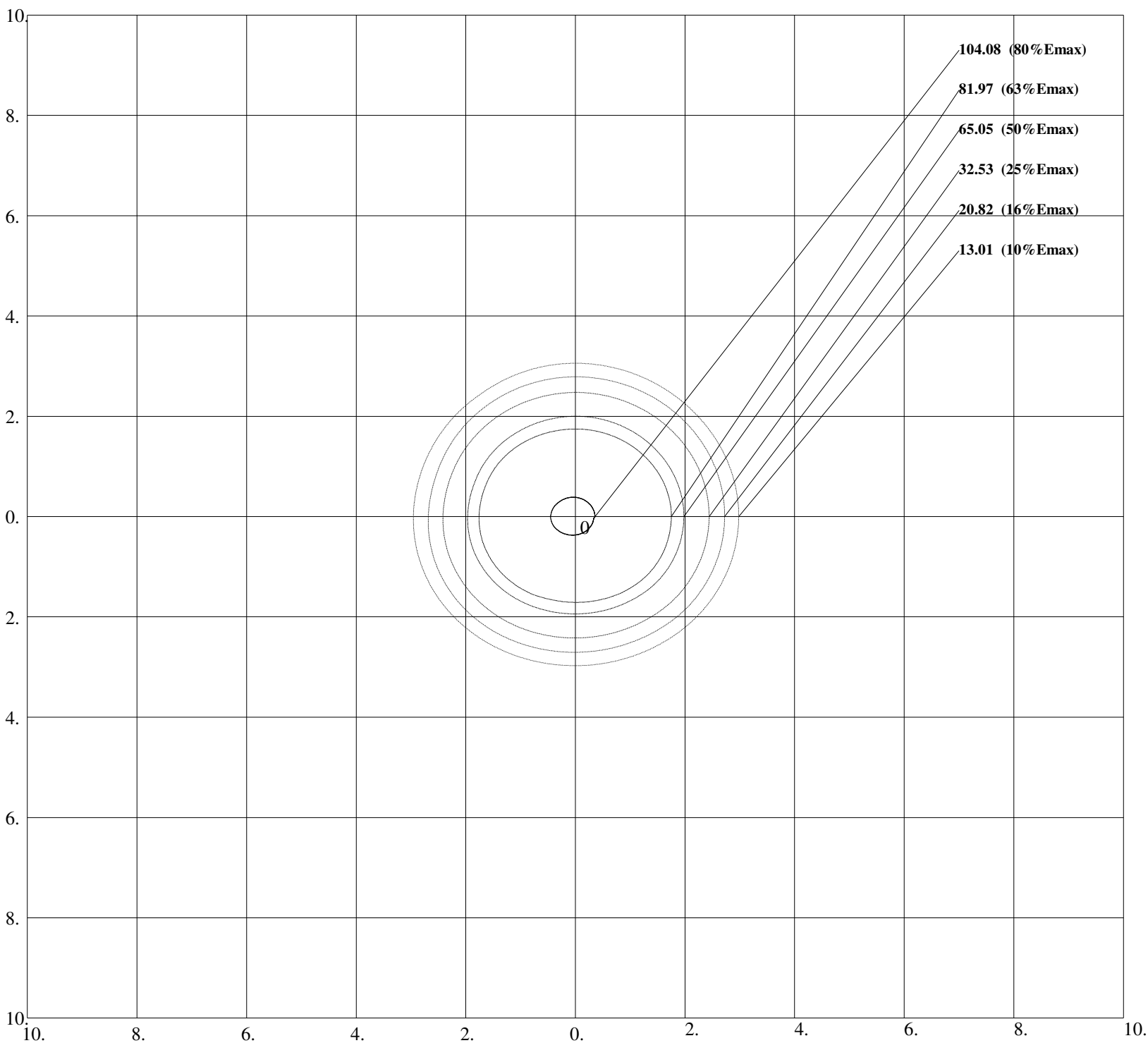
RP Lighting + Fans

ISO-Candela V-H [Unit :cd]8122H-23-30



RP Lighting + Fans

Iso-Lux [Unit :lx] 8122H-23-30



Units: lx
Height: 3 m
Max Illuminance : 130.11lx

RP Lighting + Fans

Lux-Distance Curve

