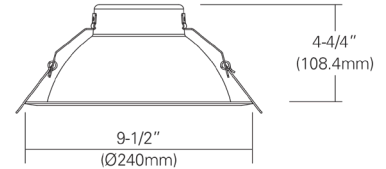
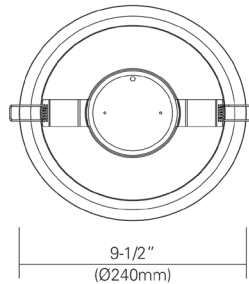


# 8081

120V-277V Universal Voltage

Catalog #:		Type
Project:		Date
Prepared by:		

## 8" NON-IC, Architectural LED Retrofit or New Construction Downlight



### DESCRIPTION

This 8" LED recessed downlight retrofit trim with integral one piece housing is designed for easy installation when retrofitting or new construction high output lighting is needed. Compatible with most 8" architectural downlight housings with apertures between 8" - 8-3/4".

### DESIGN FEATURES

#### Construction

- Heavy gauge aluminum reflector allows heat dissipation
- Designed to replace most existing 8" to 8-3/4" aperture downlights
- New construction mounting plate accessory available

#### Electrical

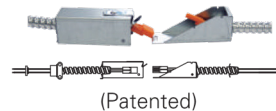
- 120-277V AC
- Dimmable TRIAC and 0-10V dimming in one module
- 50,000 hour projected life
- 15.2W, 1280lm (source), 985lm (delivered)
- 20.2W, 1710lm (source), 1295lm (delivered)
- 30W, 2570lm (source), 1915lm (delivered)
- 40W, 3420lm (source), 2565lm (delivered)
- 3000K | 3500K | 4000K | 80 CRI
- Beam Angle: 60°

#### Finish

- Available in Haze clear finish

### Installation

- Easy-quick metal connector case supplied allowing easy and sturdier wire connector
- Provided Easy-quick connector case



### Certifications

- cCSAus certified for damp location
- Energy Star listed
- LED Light Source: 5 year limited warranty

ORDERING GUIDE			Example: 8081-30-40-EM
Model #	Wattage	CCT	EM Option
8081			
8081	-15 : 15.2W -20 : 20.2W -30 : 30.0W -40 : 40.0W <sup>1</sup>	-30 : 3000K -35 : 3500K -40 : 4000K	blank : no EM option -EM : EM Battery Backup
<b>Accessories</b> (sold separately)			
8168H	8" Non-IC New Construction Mounting Plate		
8168HIC	8" IC New Construction Mounting Plate		

1 - only available in 3000K or 4000K



LED Light Source

Other Components



# 8081

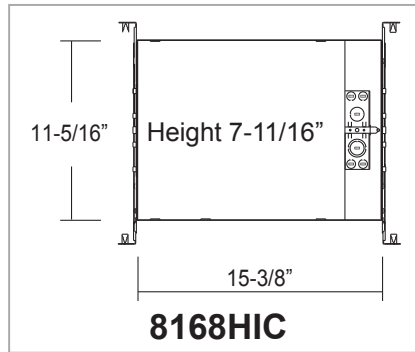
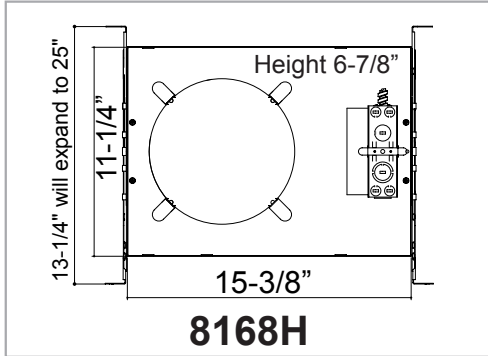
120V-277V Universal Voltage

## Specification & Ordering

### New Construction Mounting Plate Accessory

(sold separately)

- New construction installations use mounting plate 8168H or 8168HIC
- Heavy gauge bar hangers that include captive nails allow for the housing to be secured to ceilings joist or suspended "T" bar construction are included



### Compatible Dimmers:

#### Triac Approved Dimmers

- Lutron: Skylark - SLV Series, SCL Series, Contour Series, Homeworks - RPM-4U\*, QS HQRD-6ND Series, QS HQRD-10ND Series, Diva - DVCL Series, DVLV Series\*, Nova T NT Series, Glyder GLV Series, Ariadni AYCL Series, RadioRA 2 10ND Series, Maestro Wireless MRF 2-6ND Series
- Leviton: SureSlide 663\*
- Lutron : Skylark SELV Series\*, Homeworks QS HQRD-6NA\*, Maestro - MAELV Series\*, MRF 2-6ELV Series\*, Diva DVELV Series\*, NovaT ☆ NTELV Series\*, RadioRA RRD-6NA Series\*

#### 0-10V Approved Dimmers

- Lutron: Nova® 0-10V : NTFTV, Diva® 0-10V : DDTV
- Leviton: Decora 0-10V : IP710DL

#### FRK & LFK and SFK Series ETL Classified for retrofit in the following 8" architectural housings

- Halo: PD7V142E, PD7V120, PD7V501E, PD7V701E, PD7V1001E, PD7V70XIE, PD7V10X1E
- Juno: CV8-126 / 32 / 42T, TC908, MX8-(70,100), M8-(70,100)
- Lithonia: LP8F, CCR82, LP8H, LP8