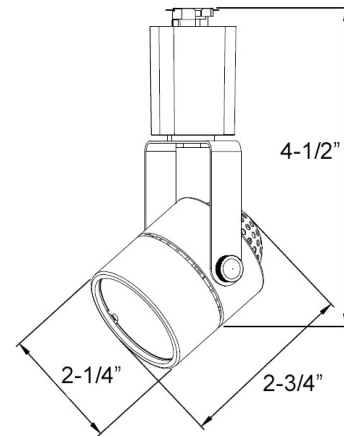


7553
120V

Catalog #:		Type
Project:		Date
Prepared by:		

120V LED Track Head Track Lighting



DESCRIPTION

Clean and cool, simple attractive aesthetics with functionality providing an abundance of light for your interior space. The mini confined heads and universal lamp holders provide compact, flexible lighting and is ideal for commercial, residential, hospitality, and retail.

DESIGN FEATURES

Construction

- Durable Metal fixture w/ aluminum heat sink with acrylic lens
- 38° beam angle

Electrical

- Operating voltage 120V
- Operating temperature 32°F (0°C) to 122°F (50°C)
- Dimmable TRIAC, 15-100%
- 8W | 650Lm | 81Lm/W
- CRI 90
- 50,000 hour projected life
- Available in 3000K

Installation

- Quick and easy, one-person ceiling mount installation
- J-compatible
- Factory conversion to H-compatible is available



H-Clip Adapter

Finish

- Available in brushed aluminum (BA), white (WH) and black (BK)

Dimensions (LxWxH)

- 2-3/4" x 2-1/4" x 4-1/2"

Certifications

- ETL/cETL Listed
- 5 year limited warranty

ORDERING

Example: 7553-BA

Model #	Finish	
7553		
7553	BA WW BK	Brushed Aluminum White Black

