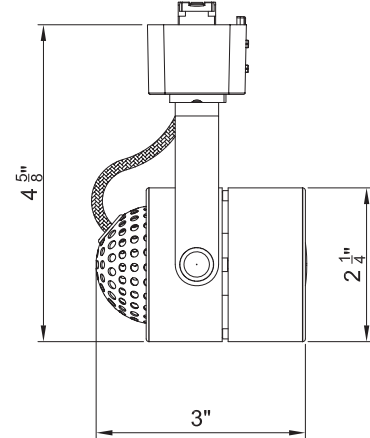


# 7551G-L

120V

Catalog #:		Type
Project:		Date
Prepared by:		

## LED Mesh Roundback Track Head with Lamp



### DESCRIPTION

Clean and cool, simple attractive aesthetics with functionality providing an abundance of light for your interior space. The mini confined heads and universal lamp holders provide compact, flexible lighting and is ideal for residential, retail and commercial applications.

### DESIGN FEATURES

#### Construction

- Metal lamp housing and arm
- J-track Compatible
- Factory conversion to H-track Compatible is available

#### Electrical

- 120V - 60Hz AC
- Lamp included: GU10 \*
  - 7W | 450 lms (delivered)
  - 3000K | 90 CRI
- Dimmable TRIAC or ELV, 15-100%
- 38° Beam Spread
- 15,000 Hour Project Life

#### Dimensions

- 4-5/8" H x 3" D x 2-1/4" W

#### Certifications

- Energy Star Listed
- UL Listed
- 1 year limited warranty

### ORDERING GUIDE

Example: 7528BK-L

Model #	Finish	Lamp
7551G		-L
7551G	BA : Brushed Aluminum WH : White	-L : lamp included

\* Included GU10 LED lamp listed on Energy Star website as HTGUD0636

