

CARE AND MAINTENANCE:

CAUTION - Be certain the power is turned off and ensure fixture surface temperature is cool enough to touch before cleaning the fixture.

- DO NOT clean or perform maintenance while fixture is energized.
- Clean the surface of the LED fixture periodically with a soft, dry cloth to remove the dust.
- **Relamping** - This LED fixture is Energy Star qualified, use Energy Star listed LED light bulb (Type A19, E26 8.5Watts, 3000K).
- Make sure to use LED bulbs that have earned the ENERGY STAR label for relamping. Refer to product label for Max Watts. DO NOT use bulb with wattage greater than specified on product label.

Five Years Limited Warranty

RP Lighting warrants this product to be free from defects in material and workmanship for five years from the original date of purchase by the consumer.

This warranty is limited to the counter replacement at the time of purchase with the original receipt. We will not be liable for the loss or damages of any kind, incidental or consequential damages of any kind, whether based on negligence and/or arising in connection with the sale, use or repair of the product claimed to be defective.

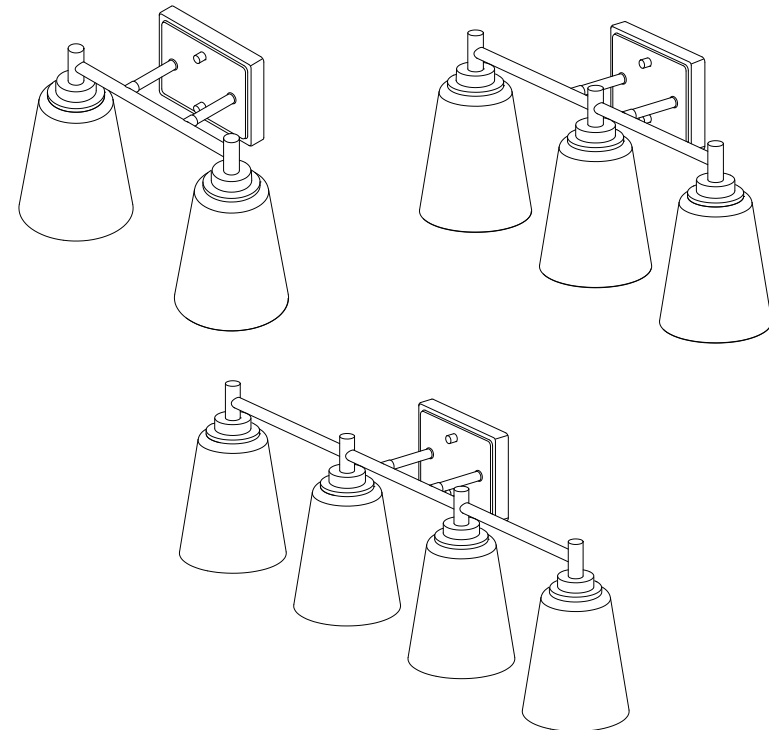
Some states do not allow the exclusion or limitation of incidental or consequential damages so above limitation may not apply to you. This warranty gives you specific legal right and you may also have other rights, which vary from state to state. Misuse, improper installation, accidental damages or modifications will void warranty.

Compatible Dimmers

Brand	Model No.
Lutron	DVCL-153P
	CTCL-153P
	MACL-153M
	DVELV-300P
	TGCL-153P
Leviton	6674
	6672

VANITY LIGHT

Model: 4911



Model No.	Descriptions	Finish	Input Volt.
4911-2	2-Light LED Vanity	Brushed Nickel	120V 60HZ
4911-3	3-Light LED Vanity	Matt Black	120V 60HZ
4911-4	4-Light LED Vanity		120V 60HZ

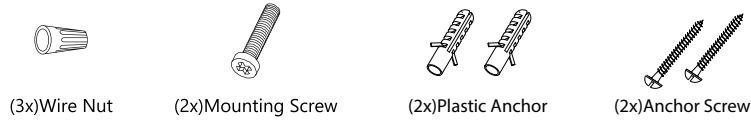
READ AND FOLLOW SAFETY INSTRUCTIONS

WARNING : Turn off the main power at the circuit breaker before installing and servicing the fixture to prevent possible injury from electric shock.

CAUTIONS-

1. All electrical connections must be in accordance with local and National Electrical Code (N.E.C.) standards.
2. If you are unfamiliar with proper electrical wiring connections, obtain the services of a qualified electrician.
3. Use minimum 90° C supply conductors.
4. All parts must be used as indicated in these instructions. DO NOT substitute any parts, leave parts out or use any parts that damaged. Failure to follow instruction could invalidate safety listing and warranty of this fixture.
5. Carefully hold the fixture, do not apply pressure to the fixture body, glass shade is fragile handle with care.

Hardware Included:



PREPARATION

1. Turn off the power at circuit breaker and remove existing fixture and mounting crossbar.
2. Unpack new fixture and remove all parts on a clean area. Be sure not to lose any small parts and mounting screws necessary for installation.

INSTALLATION

Step 1. Attaching mounting plate

- Thread the #8-32 fixture screw(8) into the mounting plate(3) with #8-32 HEX NUT (9); but do not tighten the #8-32 hex nut (9).
- Pull the power supply wires out from the outlet box(1).
- Attach the mounting plate(3) with the mounting screws (2) to the outlet box (1). The green ground screw must face out.

Step 2. Making wire connections

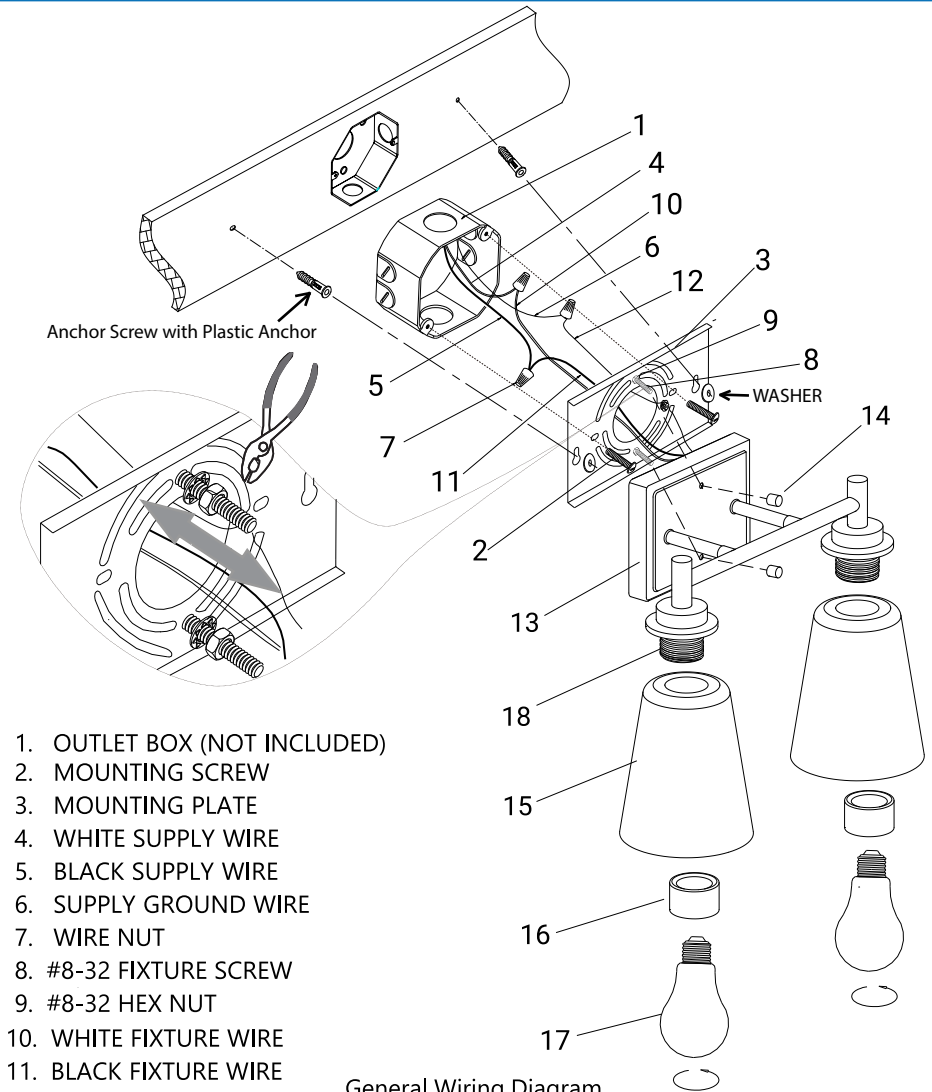
- Make wire connections by using the provided wire nuts(7).
- Black(L) supply wire (5) to the black fixture wire (11)
- White(N) supply wire (4) to the white supply wire (10)
- Connect the fixture ground wire(12) to the supply ground wire(6)
- Wrap all wire connections with electrical tape for secure connection if needed.
- Tuck wire connections neatly back into the outlet box.

Step 3. Mounting the fixture

- Place the backplate(13) over the mounting plate(3), pass the fixture screws (8) through two holes in backplate(13), then adjust the screws(8) by threading inward or outward till it protrudes 1/4" from the backplate(13) secure with #8-32 hex nut(9).
- Make sure two fixture screws(8) feed through the holes on backplate(13), secure the fixture into place using the provided cap nuts(14).

Step 4. Installing glass shade and light bulbs

- Place the glass shade (15) over the socket (18), then secure with socket ring (16).
- Repeat this process for remaining glass shades.
- Screw the LED Bulbs (provided) into each socket.
- Installation is complete, restore power at the circuit breaker and turn light switch on to activate the lighting fixture.



1. OUTLET BOX (NOT INCLUDED)
2. MOUNTING SCREW
3. MOUNTING PLATE
4. WHITE SUPPLY WIRE
5. BLACK SUPPLY WIRE
6. SUPPLY GROUND WIRE
7. WIRE NUT
8. #8-32 FIXTURE SCREW
9. #8-32 HEX NUT
10. WHITE FIXTURE WIRE
11. BLACK FIXTURE WIRE
12. FIXTURE GROUND WIRE
13. BACKPLATE
14. CAP NUT
15. GLASS SHADE
16. SOCKET RING
17. LED BULB
18. SOCKET

General Wiring Diagram

