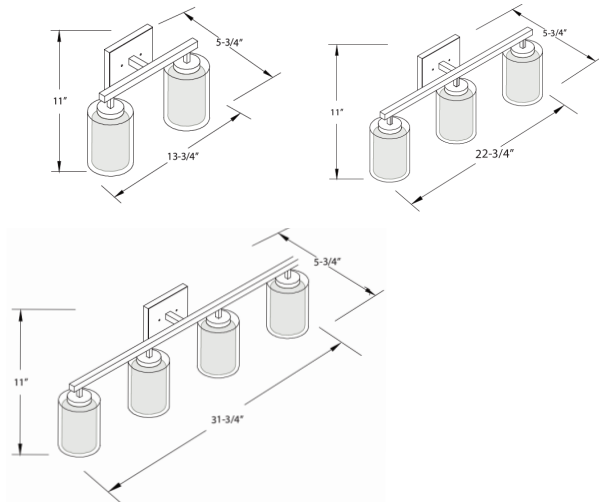


4910

120V

Catalog #:		Type
Project:		Date
Prepared by:		

Inner Opal Glass E26 A19 LED Vanity



DESCRIPTION

See yourself in the best light with the 4910 Inner Opal Glass LED Vanity Light that can be mounted in direct or in-direct positions. This stylish Energy Star and JA8 vanity light is damp location rated and is energy efficient. Choose from an updated, attractive 2-light, 3-light, or 4-light configuration to accent your bathroom vanity area.

DESIGN FEATURES

Construction

- Heavy duty, steel construction
- Clear Outer Glass with Inner Opal Glass

Electrical

- 120V-60Hz
- Dimmable TRIAC or ELV, 10-100%
- E26 Socket | 9W A19 LED Lamps Included
- 3000K | 90 CRI | 800 lms per lamp

Installation

- 5" x 6" Canopy and Mounting Plate included for installations with 3" or 4" J-Box applications
- Fixture can be mounted with glass shades facing up or down

Dimensions

- 4910-2: 11" H x 13-3/4" L x 5-3/4" D
- 4910-3: 11" H x 22-3/4" L x 5-3/4" D
- 4910-4: 11" H x 31-3/4" L x 5-3/4" D

Lens

- Inner Opal glass lens replacement: 4606G-FR
- Outer clear glass lens replacement: 4606G-CL

Certifications

- cETLus listed for damp locations
- Energy Star listed
- CEC JA8 Compliant *
- 1 Year Limited Warranty

ORDERING GUIDE

Example: 4910BN-3

Model #	Finish	# of Lights
4910	BN	
4910	BN : Brushed Nickel	-2 : 2 lights -3 : 3 lights -4 : 4 lights

* Included A19 LED lamp listed on CEC JA8 website as L9-A19DG-9W-30

TEL: 800.937.6925 | Fax: 800.207.9509 | www.rplighting.com

Specifications and dimensions subject to change without notice.



9/22/21 R1



RP LIGHTING · FANS

4910 - Inner Frosted Glass Vanity Light