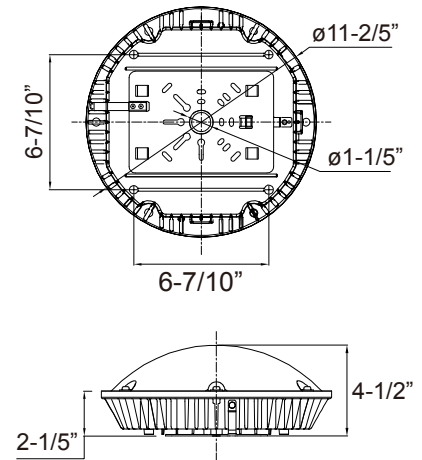


4431

Universal Voltage: 120-277V

Catalog #:		Type
Project:		Date
Prepared by:		

LED Canopy Light



DESCRIPTION

Powerful, efficient, economical, the LED Low Profile Canopy heightens safety and provides greater security for pedestrians. cULus listed for wet locations, our canopy lights are ideal for illuminating buildings, parking garages, walkways and entryways.

DESIGN FEATURES

Construction

- Durable aluminum heat sink housing
- IP65 rated against ingress of dust and water jets from all direction

Electrical

- Universal Voltage: 120-277V
- Dimmable 0-10V
- 50,000 hour projected life
- Operating temperature: -4°F (-20°C) to 104°F (40°C)
- 80 CRI
- Available in 40W or 60W | 4000K or 5000K
- Beam Angle 160°
- Motion Sensor: 4761MS

Installation

- Pole-mounted or surface mounted (mounting bracket included)

Lens

- Polycarbonate (PC) plastics lens protects LEDs while allowing for optimum lumen output

Finish

- Oil Rubbed Bronze

Certifications

- UL listed for wet locations
- Light Engine: 5 year Limited Warranty
- Other Components: 1 Year Limited Warranty



TEL: 800.937.6925 | Fax: 800.207.9509 | www.rplighting.com

Specifications and dimensions subject to change without notice.

10/11/22 R1



RP | LIGHTING • FANS

4431

Universal Voltage: 120-277V

Specification & Ordering

Model #	Dimming Sensor	Watts	CCT	Lumens
4431OB-40	w/o Sensor	40W	4000K, 5000K	5400lm
4431OB-60		60W		8100lm
4431OB-40-MS	Built-in microwave dimming sensor	40W		5200lm
4431OB-60-MS		60W		7800lm

* Note - Lumen output is reduced by 4% with the dimming sensor option

ORDERING

Example: 4431OB-40-5K-MS

Model #	Wattage	CCT	Sensor
4431			
4431	-40 : 40W * -60 : 60W	-4K : 4000K -5K : 5000K	-MS : Built-in microwave dimming sensor : w/o sensor

* -40 (40W) Only available in -5K