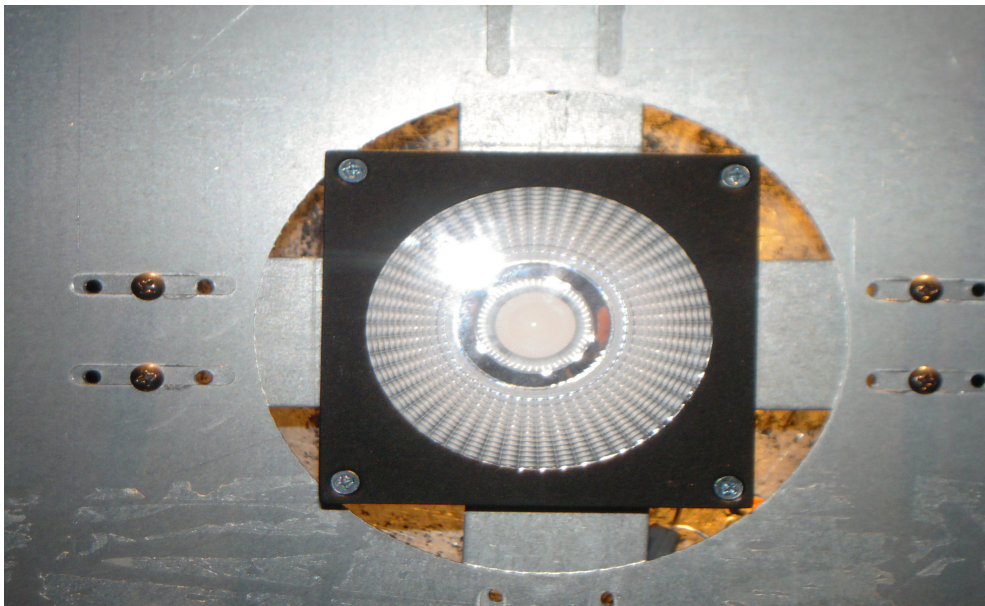


Test Report of Luminaire

Report No.:

Luminaire Type	4427xx-15-3K		
Lamp Type	LED_Cylinder		
Client		EUT NO.	CCT: 3012K, CRI: 82.1Ra
Luminaire Parameters:			
Voltage	120.1	Current	0.111
Power:	13.3	Power Factor	0.991
Frequency:	60Hz	Tc	3000K
Photometric Parameters			
Luminaire Flux	920.34 lm	Luminaire Eff.	Data imperfect...!
Max Intensity	1765.805cd	Central Intensity	1765.805cd
Angle of Max Intensity:	C:0 G:0		
Upward Flux Ratio	0.0%		
Downward Flux Ratio	-92033.9%		
50%Imax Beam Width	C0_180[18.6 , -18.5] C90_270[19.5 , -19.3]		
Remark			

Luminaire Figure



RP Lighting • Fans

Photometric Data Table [Unit:cd] 4427xx-15-3K

C\G	0	5	10	15	20	25	30	35	40	45
0	1765.8	1703.0	1490.1	1165.9	770.1	465.6	293.7	186.3	120.1	67.3
5	1765.8	1703.3	1490.1	1167.6	771.7	468.0	294.4	186.9	122.3	68.9
10	1765.8	1703.3	1491.4	1165.9	772.7	471.3	296.1	188.3	122.9	68.2
15	1765.8	1702.7	1492.4	1166.9	775.4	473.0	298.1	189.3	122.5	68.9
20	1765.8	1703.7	1494.7	1169.3	780.1	474.7	300.4	189.9	122.6	71.1
25	1765.8	1704.7	1496.1	1172.9	785.7	477.7	302.8	190.6	122.8	69.1
30	1765.8	1704.3	1498.1	1175.3	789.8	481.3	306.1	190.9	122.1	67.3
35	1765.8	1703.3	1501.4	1181.3	796.4	485.3	308.8	193.3	124.0	68.0
40	1765.8	1703.3	1504.1	1186.3	802.1	490.0	312.8	195.3	127.6	70.1
45	1765.8	1703.3	1506.7	1191.0	807.8	495.3	316.1	197.3	130.5	71.7
50	1765.8	1703.0	1508.1	1195.0	814.5	499.4	319.4	198.9	132.4	74.2
55	1765.8	1703.0	1509.1	1197.6	820.1	503.7	322.4	200.6	133.8	75.0
60	1765.8	1703.3	1510.1	1200.0	825.1	506.7	324.4	202.6	134.0	75.5
65	1765.8	1704.0	1510.1	1202.7	829.1	511.0	327.8	204.3	133.9	75.9
70	1765.8	1704.3	1508.7	1204.3	833.5	515.0	329.8	205.6	134.1	76.1
75	1765.8	1703.7	1508.4	1205.7	838.2	517.7	332.1	206.3	134.8	77.2
80	1765.8	1703.3	1508.1	1205.7	841.2	520.4	334.1	208.3	135.5	77.6
85	1765.8	1703.0	1506.7	1205.7	843.2	521.4	334.8	208.3	136.6	77.6
90	1765.8	1702.7	1508.1	1203.7	844.5	522.4	336.1	208.6	138.3	77.5
95	1765.8	1701.0	1507.1	1201.0	844.5	523.7	336.5	208.6	141.0	78.9
100	1765.8	1698.7	1505.7	1199.3	843.5	523.1	336.8	208.3	141.3	80.1
105	1765.8	1697.0	1504.1	1199.0	842.2	523.4	335.5	208.3	138.4	78.7
110	1765.8	1694.7	1502.7	1197.3	841.2	524.1	335.1	208.0	135.9	77.5
115	1765.8	1691.7	1500.4	1194.0	839.5	524.1	334.8	207.0	135.2	77.3
120	1765.8	1690.0	1496.7	1190.6	835.8	522.4	333.8	206.0	132.0	75.4
125	1765.8	1687.7	1496.4	1186.3	829.1	519.0	332.1	204.6	132.1	75.5
130	1765.8	1686.3	1495.7	1181.3	823.1	516.4	329.1	203.3	131.7	75.8
135	1765.8	1684.3	1494.7	1175.3	817.5	512.0	327.5	201.3	129.9	75.4
140	1765.8	1682.3	1489.4	1167.6	810.8	508.0	325.4	199.6	128.5	75.5
145	1765.8	1681.6	1482.0	1160.3	806.1	505.4	322.8	198.3	127.3	75.1
150	1765.8	1680.6	1474.7	1154.6	802.1	502.7	320.4	197.9	126.2	74.3
155	1765.8	1679.3	1470.0	1148.6	797.1	500.7	318.8	196.3	125.6	74.0
160	1765.8	1678.0	1465.7	1143.6	790.8	497.7	317.1	195.6	124.2	72.9
165	1765.8	1676.6	1461.7	1137.2	785.7	496.0	317.1	195.3	123.6	72.9
170	1765.8	1675.3	1459.3	1131.9	782.4	493.3	315.4	194.6	123.4	73.3
175	1765.8	1675.3	1456.3	1129.6	780.1	491.0	314.8	193.9	122.4	72.9
180	1765.8	1676.3	1455.0	1128.9	778.1	488.7	313.8	193.3	121.6	72.6
185	1765.8	1675.0	1453.7	1127.9	778.1	487.3	311.4	192.3	120.9	71.7
190	1765.8	1675.3	1452.7	1127.2	777.4	485.3	310.4	191.6	120.3	71.3
195	1765.8	1674.6	1452.3	1124.9	775.4	481.7	308.1	190.3	119.7	71.0
200	1765.8	1674.6	1451.7	1124.2	773.7	479.7	306.4	190.3	119.1	71.1
205	1765.8	1675.0	1450.7	1123.9	772.7	477.3	306.1	189.3	118.2	69.4
210	1765.8	1675.3	1449.7	1124.2	772.1	475.7	305.4	188.3	118.5	68.9
215	1765.8	1676.6	1449.3	1125.2	773.1	475.0	304.1	188.9	119.2	70.1
220	1765.8	1677.6	1449.0	1127.9	774.7	475.7	305.1	189.3	119.4	71.3
225	1765.8	1678.6	1450.0	1131.6	777.7	476.0	305.4	189.9	120.0	71.7
230	1765.8	1679.3	1450.7	1135.2	782.1	478.0	306.4	190.6	120.7	71.9
235	1765.8	1680.3	1452.3	1138.6	787.4	480.0	308.1	191.3	121.3	72.6

RP Lighting • Fans

Photometric Data Table [Unit:cd] 4427xx-15-3K

240	1765.8	1681.3	1454.7	1143.6	793.1	482.7	309.4	192.6	122.0	73.5
245	1765.8	1682.3	1457.0	1150.3	800.8	486.0	311.8	194.3	122.9	72.5
250	1765.8	1683.3	1459.0	1157.6	808.4	488.7	313.8	195.3	124.4	74.2
255	1765.8	1685.0	1464.0	1167.3	817.5	493.0	316.1	196.9	128.0	76.6
260	1765.8	1686.0	1469.0	1175.6	825.1	497.0	317.8	198.9	128.9	76.5
265	1765.8	1687.7	1472.4	1183.6	831.1	498.4	318.8	199.9	130.0	75.6
270	1765.8	1689.0	1475.7	1189.3	832.5	497.7	319.1	201.9	128.9	75.4
275	1765.8	1689.7	1477.7	1192.3	830.8	497.7	317.8	200.3	129.7	75.6
280	1765.8	1691.3	1480.4	1190.6	827.8	495.0	317.4	198.9	128.4	75.4
285	1765.8	1692.7	1481.4	1184.3	821.8	491.7	314.8	197.3	128.8	75.6
290	1765.8	1694.3	1483.0	1179.0	812.8	485.3	310.4	195.3	129.0	75.2
295	1765.8	1695.0	1484.4	1172.3	803.8	478.7	306.8	193.6	124.8	69.9
300	1765.8	1695.7	1485.0	1168.6	797.4	473.7	303.1	191.3	122.1	69.0
305	1765.8	1696.0	1483.7	1165.9	793.1	469.6	300.4	190.6	121.8	69.0
310	1765.8	1697.3	1483.0	1164.6	787.4	467.0	298.1	188.9	121.4	68.3
315	1765.8	1698.0	1483.0	1162.6	781.4	463.6	296.4	187.6	120.6	68.4
320	1765.8	1698.0	1483.7	1161.3	776.1	460.6	294.1	186.3	119.7	68.2
325	1765.8	1699.0	1485.4	1158.9	772.7	459.0	292.1	184.6	120.1	68.4
330	1765.8	1700.0	1487.4	1157.3	768.7	457.0	290.7	183.9	120.5	67.7
335	1765.8	1701.3	1487.7	1156.6	768.1	456.3	290.1	183.6	120.6	67.5
340	1765.8	1701.3	1488.7	1155.9	765.4	456.6	290.4	183.9	120.3	67.4
345	1765.8	1701.0	1490.4	1158.3	765.7	457.3	290.7	183.9	119.7	67.8
350	1765.8	1701.3	1489.4	1161.3	766.7	459.0	291.1	184.6	120.2	67.9
355	1765.8	1701.7	1488.4	1165.3	767.4	462.3	292.1	185.6	120.9	67.9
360	1765.8	1703.0	1490.1	1165.9	770.1	465.6	293.7	186.3	120.1	67.3

C\G	50	55	60	65	70	75	80	85	90
0	31.5	10.1	6.2	3.7	2.8	2.1	1.4	0.9	0.6
5	31.5	10.2	6.1	3.7	2.8	2.0	1.4	0.9	0.6
10	31.5	10.2	6.1	3.7	2.8	2.1	1.4	0.9	0.6
15	31.6	10.2	6.1	3.7	2.8	2.0	1.4	0.9	0.6
20	31.6	10.0	6.0	3.7	2.8	2.0	1.4	0.9	0.6
25	31.5	10.0	5.9	3.7	2.8	2.1	1.4	0.9	0.6
30	31.3	10.1	5.8	3.7	2.8	2.1	1.4	0.9	0.6
35	31.4	10.1	5.8	3.7	2.8	2.0	1.4	0.9	0.6
40	31.6	10.3	6.1	3.7	2.9	2.1	1.4	0.9	0.6
45	32.1	10.8	6.3	3.7	2.9	2.1	1.4	0.9	0.6
50	32.8	11.2	6.5	3.8	2.9	2.1	1.4	0.9	0.6
55	33.3	11.4	6.6	3.7	2.9	2.1	1.4	1.0	0.6
60	34.0	11.6	6.7	3.8	2.9	2.2	1.5	1.0	0.6
65	34.8	11.8	6.7	3.8	2.9	2.2	1.5	1.0	0.6
70	35.6	12.0	6.7	3.8	3.0	2.2	1.4	1.0	0.6
75	36.2	12.2	6.7	3.8	3.0	2.2	1.5	0.9	0.6
80	36.7	12.4	6.7	3.8	3.0	2.3	1.5	1.0	0.6
85	37.0	12.5	6.5	3.8	3.0	2.3	1.5	1.0	0.6
90	37.2	12.7	6.6	3.8	3.0	2.3	1.5	1.0	0.6
95	37.4	12.8	6.7	3.9	3.0	2.3	1.5	1.0	0.6
100	37.5	13.0	6.8	3.9	3.0	2.3	1.5	1.0	0.6

RP Lighting • Fans

Photometric Data Table [Unit:cd] 4427xx-15-3K

105	37.5	13.2	6.8	3.9	3.0	2.3	1.5	1.0	0.6
110	37.2	13.0	6.7	3.9	3.1	2.3	1.6	1.0	0.6
115	36.7	13.0	6.3	3.9	3.0	2.3	1.6	1.0	0.6
120	36.7	13.2	6.4	3.9	3.0	2.3	1.6	1.0	0.6
125	36.2	13.1	6.4	3.9	3.1	2.4	1.6	1.0	0.6
130	36.1	13.3	6.8	4.0	3.1	2.4	1.6	1.0	0.6
135	36.3	13.7	7.0	4.0	3.1	2.4	1.6	1.0	0.6
140	36.4	14.0	7.0	4.0	3.1	2.4	1.6	1.0	0.6
145	36.4	14.0	7.1	4.1	3.1	2.4	1.6	1.0	0.6
150	36.5	14.0	7.1	4.1	3.1	2.4	1.6	1.0	0.6
155	36.6	14.3	7.2	4.0	3.1	2.4	1.6	1.0	0.6
160	36.8	14.4	7.3	4.0	3.1	2.4	1.6	1.1	0.6
165	36.8	14.5	7.4	4.0	3.1	2.4	1.6	1.0	0.6
170	36.8	14.6	7.5	4.0	3.1	2.4	1.6	1.0	0.6
175	36.7	14.6	7.5	4.0	3.1	2.4	1.6	1.0	0.6
180	36.7	14.5	7.2	4.0	3.1	2.4	1.6	1.0	0.6
185	36.6	14.4	7.1	4.1	3.1	2.4	1.6	1.0	0.6
190	36.2	14.2	7.0	4.2	3.1	2.4	1.6	1.0	0.6
195	35.8	14.0	6.8	4.2	3.1	2.4	1.6	1.0	0.6
200	35.4	13.6	6.6	4.2	3.1	2.4	1.6	1.0	0.6
205	34.8	13.4	6.4	4.1	3.1	2.4	1.6	1.0	0.6
210	34.2	13.2	6.3	4.0	3.1	2.4	1.6	1.1	0.6
215	34.0	13.0	6.5	3.9	3.1	2.4	1.6	1.1	0.6
220	34.1	13.2	6.8	3.9	3.1	2.4	1.6	1.1	0.6
225	34.4	13.5	7.0	3.9	3.1	2.4	1.6	1.0	0.6
230	34.6	13.6	7.0	3.9	3.1	2.4	1.6	1.0	0.6
235	34.7	13.5	7.0	3.9	3.1	2.3	1.6	1.0	0.6
240	35.2	13.5	6.9	3.8	3.1	2.4	1.6	1.0	0.6
245	35.9	13.3	6.8	3.8	3.1	2.3	1.5	1.0	0.6
250	36.0	13.2	6.9	3.8	3.1	2.3	1.6	1.1	0.6
255	35.9	13.0	6.9	3.8	3.1	2.3	1.6	1.0	0.6
260	36.1	13.0	6.9	3.8	3.1	2.3	1.5	1.0	0.6
265	36.2	12.8	6.8	3.8	3.1	2.3	1.6	1.0	0.6
270	36.0	12.5	6.7	3.8	3.0	2.3	1.6	1.0	0.6
275	35.8	12.3	6.7	3.8	3.0	2.3	1.5	1.0	0.6
280	35.4	12.0	6.5	3.8	3.0	2.3	1.5	1.0	0.6
285	35.2	11.6	6.3	3.8	3.0	2.3	1.5	1.0	0.6
290	34.1	11.0	6.0	3.8	3.0	2.2	1.5	1.0	0.6
295	33.1	10.7	5.7	3.8	3.0	2.2	1.5	1.0	0.6
300	32.4	10.5	5.5	3.8	3.0	2.2	1.5	1.0	0.6
305	31.9	10.2	5.6	3.8	3.0	2.3	1.5	1.0	0.6
310	31.5	10.2	5.7	3.8	3.0	2.2	1.5	1.0	0.6
315	31.3	10.3	5.7	3.8	2.9	2.2	1.5	0.9	0.6
320	31.3	10.3	5.7	3.8	2.9	2.2	1.5	1.0	0.6
325	31.2	10.1	5.8	3.7	2.9	2.1	1.5	0.9	0.6
330	31.3	10.1	5.8	3.8	2.9	2.1	1.5	0.9	0.6
335	31.4	10.1	5.9	3.7	2.9	2.1	1.4	0.9	0.6
340	31.6	10.1	5.9	3.7	2.9	2.1	1.4	0.9	0.6
345	31.7	10.1	5.9	3.7	2.8	2.1	1.4	0.9	0.6

RP Lighting • Fans

Photometric Data Table [Unit:cd] 4427xx-15-3K

350	31.7	10.1	6.1	3.7	2.8	2.0	1.4	0.9	0.6
355	31.6	10.1	6.2	3.7	2.8	2.1	1.4	0.9	0.6
360	31.5	10.1	6.2	3.7	2.8	2.1	1.4	0.9	0.6

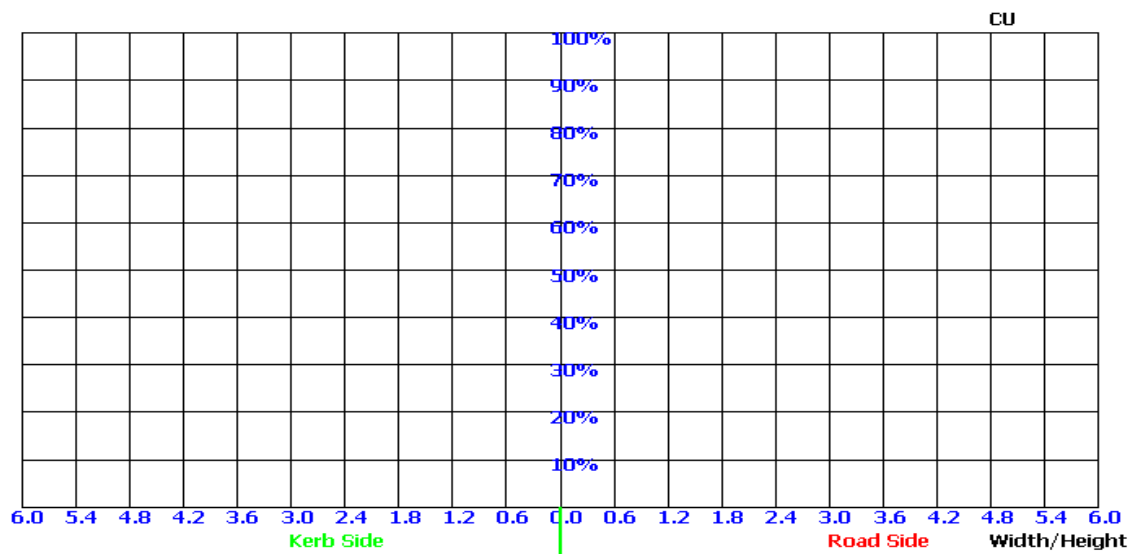
RP Lighting • Fans

Zonal Flux 4427xx-15-3K

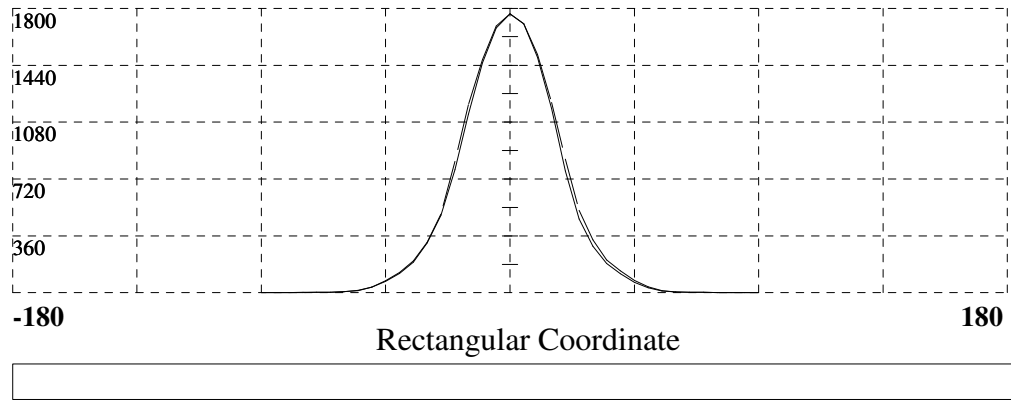
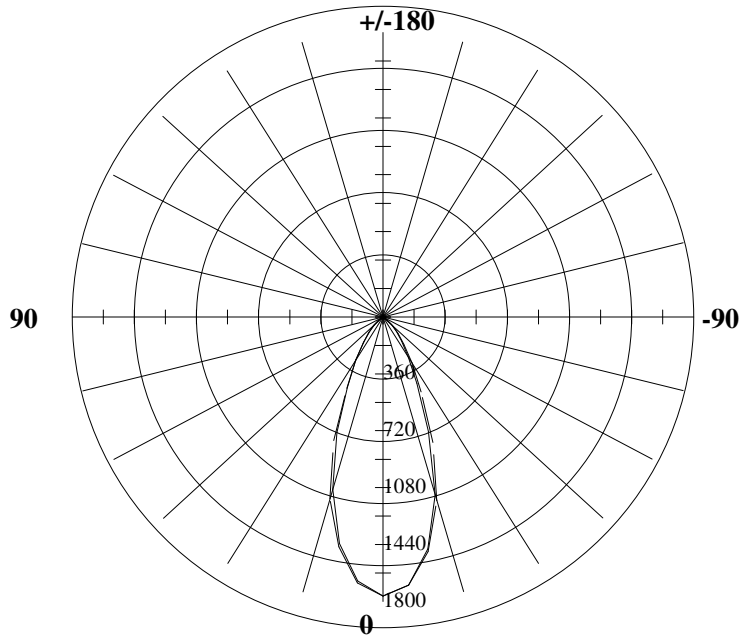
Gamma [°]	I_{mean} [cd]	Zonal Flux [lm]	Sum.Flux [lm]	Zonal Flux [%]	Sum.Flux [%]
0	1765.81	0.00	0.00	0.00	0.00
5	1691.57	41.33	41.33	-4133.20	-4133.20
10	1482.18	113.53	154.87	-11353.49	-15486.69
15	1166.97	157.15	312.01	-15714.57	-31201.25
20	800.70	162.16	474.18	-16216.42	-47417.67
25	489.96	135.37	609.54	-13536.65	-60954.33
30	313.01	101.62	711.16	-10161.67	-71116.00
35	195.32	74.86	786.02	-7485.64	-78601.66
40	126.14	53.63	839.65	-5363.41	-83965.11
45	72.63	36.80	876.46	-3680.43	-87645.54
50	34.49	21.65	898.10	-2164.59	-89810.13
55	12.19	10.15	908.25	-1014.99	-90825.10
60	6.52	4.32	912.58	-432.42	-91257.53
65	3.86	2.52	915.10	-252.39	-91509.92
70	3.00	1.74	916.84	-173.66	-91683.59
75	2.26	1.37	918.21	-137.29	-91821.01
80	1.52	1.01	919.22	-101.04	-91922.08
85	0.99	0.68	919.90	-68.23	-91990.36
90	0.60	0.44	920.34	-43.60	-92034.05

RP Lighting • Fans

Coefficient Utilization Curve 4427xx-15-3K

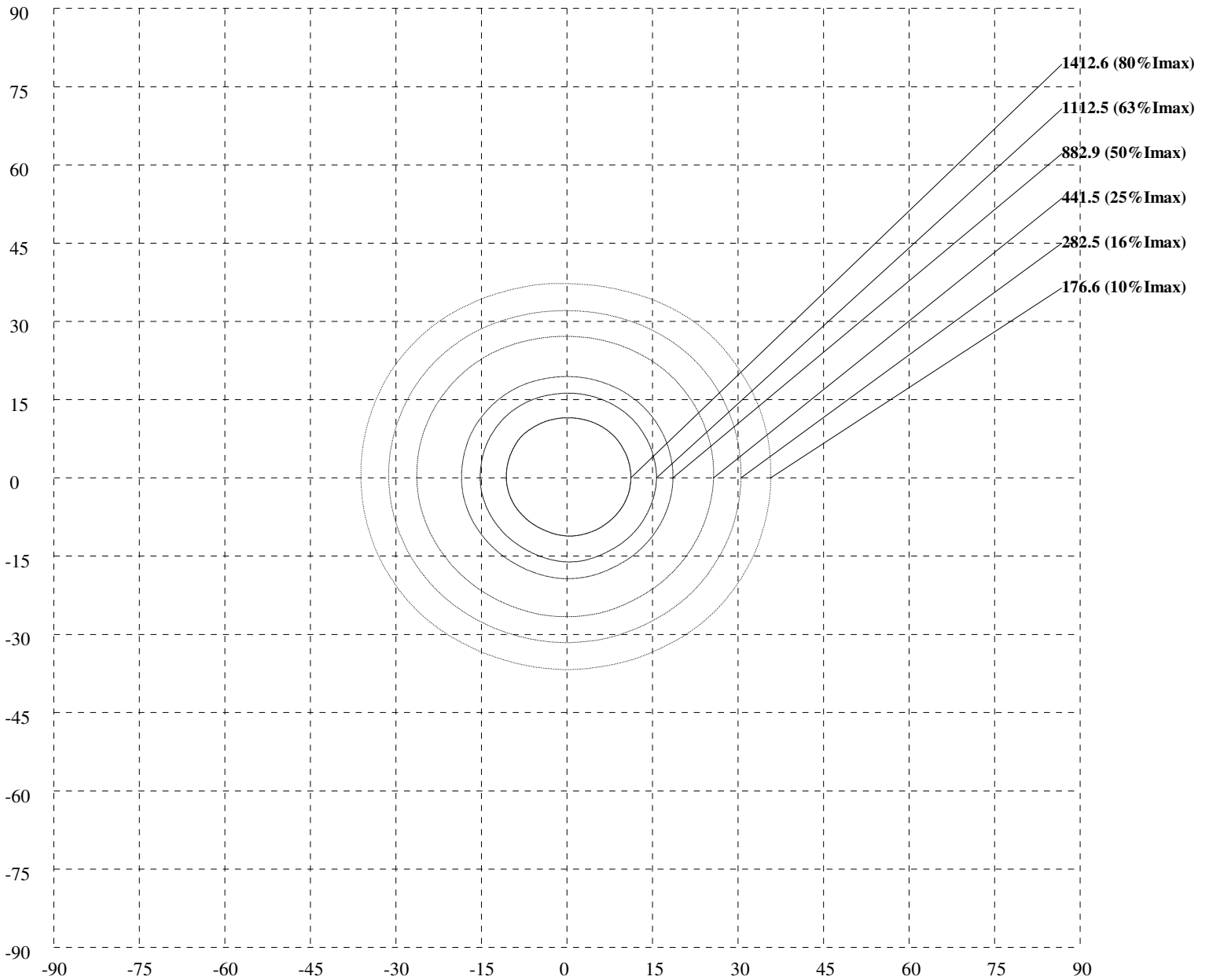


Light Distribution Curve[Unit: cd]



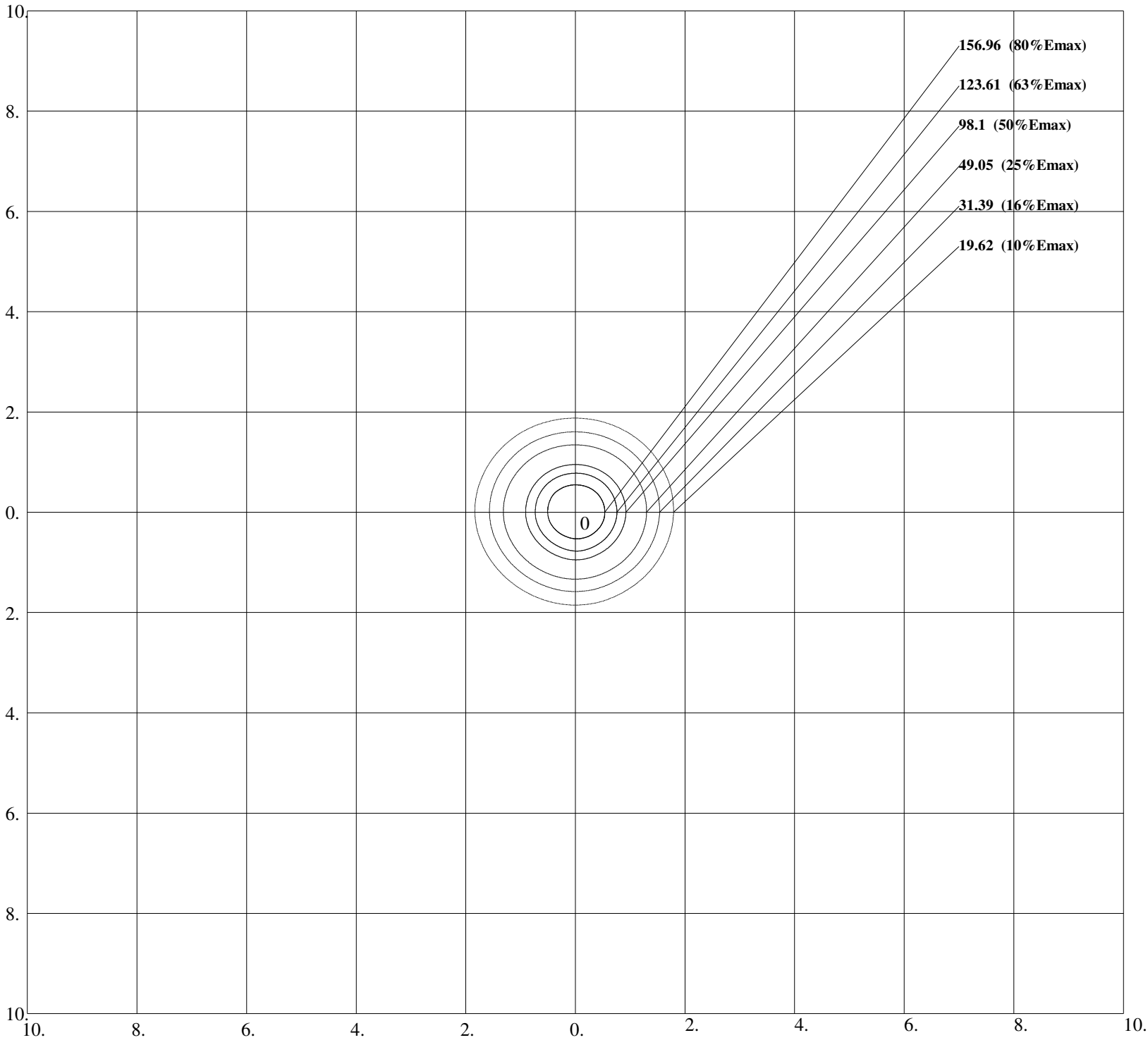
RP Lighting • Fans

ISO-Candela V-H [Unit :cd] 4427xx-15-3K



RP Lighting • Fans

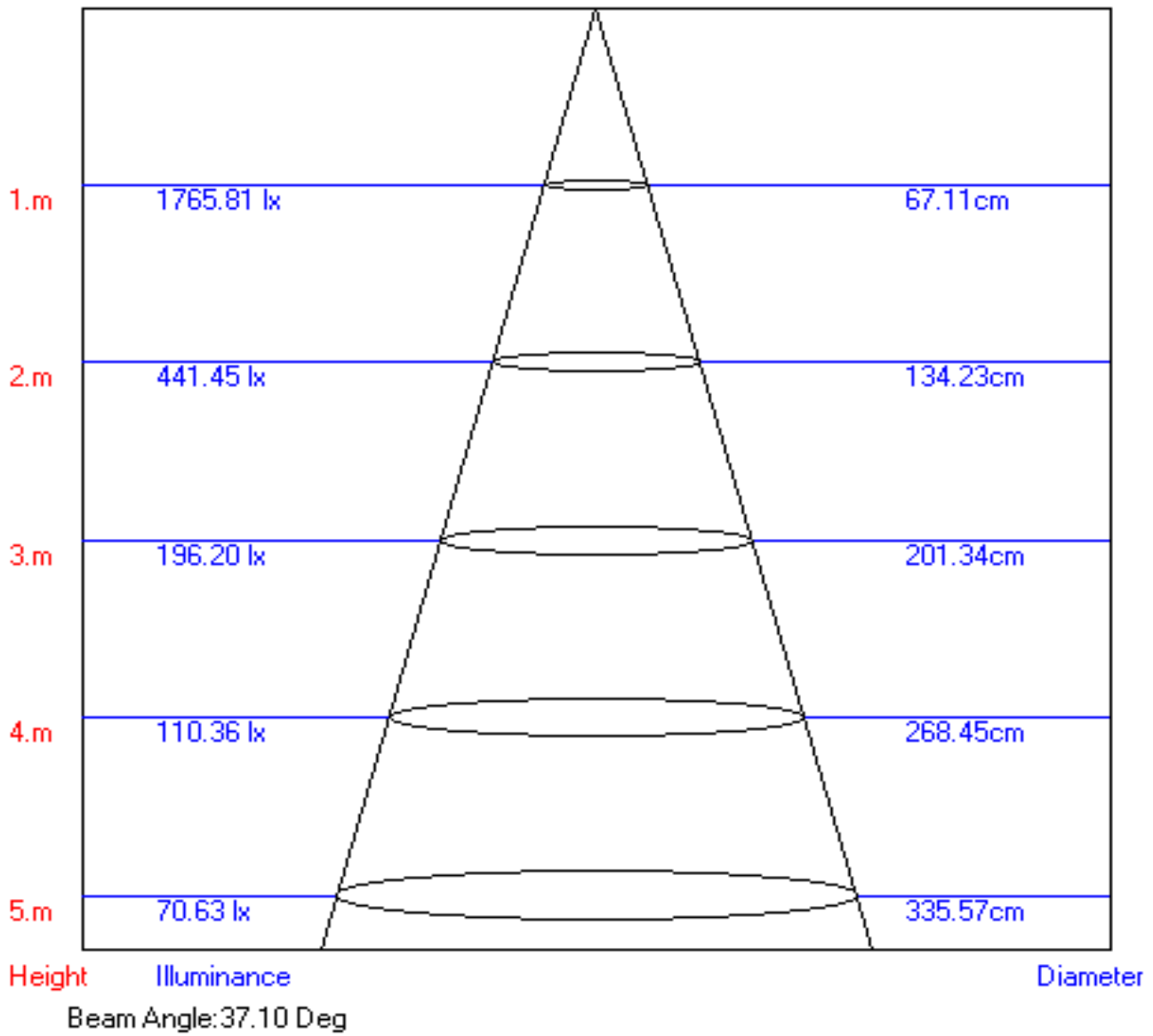
Iso-Lux [Unit :lx] 4427xx-15-3K



Units: lx
Height: 3 m
Max Illuminance : 196.2lx

RP Lighting • Fans

Lux-Distance Curve

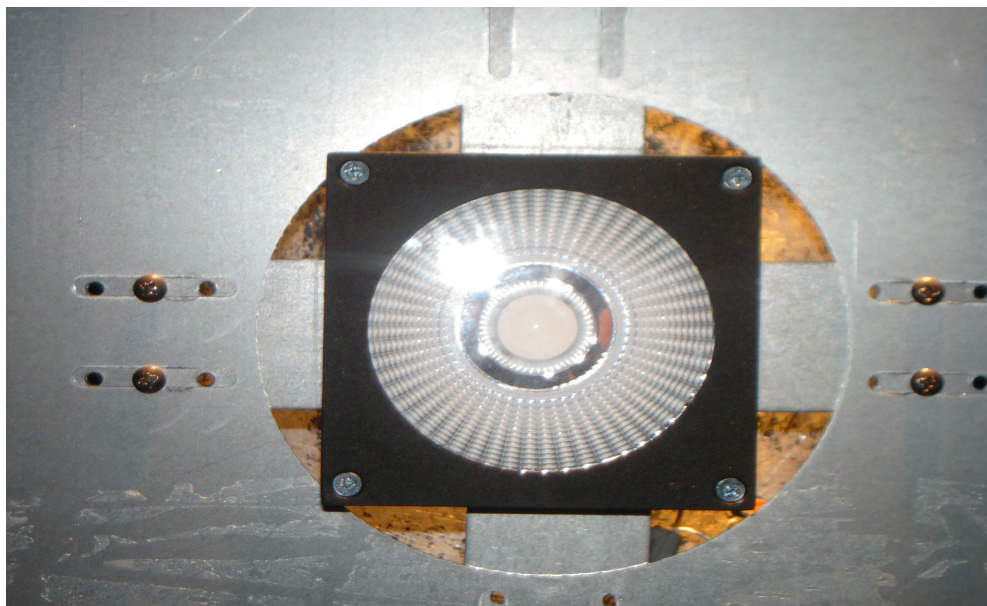


Test Report of Luminaire

Report No.:

Luminaire Type	4427xx-20-3K		
Lamp Type	LED_Wallcylinder		
Client		EUT NO.	CCT: 2884K, CRI: 81.5Ra
Luminaire Parameters:			
Voltage	120.1	Current	0.141
Power:	16.7	Power Factor	0.985
Frequency:	60Hz	Tc	3000K
Photometric Parameters			
Luminaire Flux	1164.03 lm	Luminaire Eff.	Data imperfect...!
Max Intensity	2180.445cd	Central Intensity	2180.446cd
Angle of Max Intensity:	C:0 G:0		
Upward Flux Ratio	0.0%		
Downward Flux Ratio	-116403.1%		
50%Imax Beam Width	C0_180[19.3 , -19.7] C90_270[18.4 , -19.2]		
Remark			

Luminaire Figure



RP Lighting • Fans

Photometric Data Table [Unit:cd] 4427xx-20-3K

C\G	0	5	10	15	20	25	30	35	40	45
0	2180.4	2094.6	1865.6	1494.7	1021.4	637.2	407.9	254.4	174.6	90.6
5	2180.4	2092.5	1861.2	1490.1	1018.7	634.2	405.9	253.7	150.4	90.1
10	2180.4	2088.9	1855.9	1481.7	1013.1	630.9	403.9	252.0	166.3	90.3
15	2180.4	2085.9	1848.2	1472.7	1007.1	626.9	400.2	249.0	162.9	87.8
20	2180.4	2082.5	1840.5	1464.7	998.0	621.9	395.9	244.7	156.6	85.5
25	2180.4	2078.9	1831.5	1455.7	989.4	616.8	393.5	244.0	157.2	85.6
30	2180.4	2075.9	1823.8	1443.7	981.0	611.8	390.2	242.7	160.9	87.8
35	2180.4	2072.2	1816.8	1431.3	973.3	607.2	387.5	239.7	159.1	87.0
40	2180.4	2069.5	1808.8	1418.3	964.7	601.8	384.5	237.7	156.9	86.8
45	2180.4	2067.5	1801.8	1406.9	956.0	597.8	381.9	235.7	155.0	87.0
50	2180.4	2063.8	1794.8	1398.3	948.3	593.8	379.9	234.3	153.9	86.7
55	2180.4	2060.8	1790.1	1391.2	943.6	590.5	378.2	233.0	153.1	86.5
60	2180.4	2058.8	1785.8	1384.9	940.3	589.8	377.2	232.7	151.6	86.0
65	2180.4	2056.8	1782.5	1380.6	939.6	588.5	376.5	232.7	149.9	86.4
70	2180.4	2056.8	1781.5	1380.2	940.3	588.5	376.9	233.0	149.9	86.8
75	2180.4	2054.5	1780.1	1380.2	941.3	590.1	378.5	235.0	149.7	87.2
80	2180.4	2053.5	1778.8	1381.6	944.3	592.5	380.9	237.0	150.9	88.7
85	2180.4	2053.8	1778.1	1382.2	948.0	596.2	383.5	240.0	151.8	89.5
90	2180.4	2053.5	1777.1	1383.6	953.6	600.2	386.2	243.0	151.9	90.1
95	2180.4	2054.2	1777.1	1385.9	960.7	605.2	389.2	246.3	152.0	91.3
100	2180.4	2054.8	1778.8	1388.9	966.7	609.5	392.2	250.0	152.8	92.0
105	2180.4	2056.2	1781.5	1391.9	973.3	612.8	395.2	253.7	153.4	93.0
110	2180.4	2056.8	1785.5	1395.6	981.0	617.5	399.6	259.0	153.9	92.5
115	2180.4	2058.5	1787.8	1399.9	988.7	622.2	402.9	263.0	155.4	93.4
120	2180.4	2061.2	1792.5	1405.3	995.4	626.9	406.6	267.7	157.6	95.4
125	2180.4	2064.5	1796.1	1407.3	1002.4	632.5	411.2	271.7	158.9	97.7
130	2180.4	2066.5	1799.8	1412.9	1010.4	637.2	414.9	275.0	159.9	99.1
135	2180.4	2069.2	1803.8	1419.3	1017.7	642.9	418.6	278.7	161.4	100.1
140	2180.4	2071.2	1808.8	1426.3	1025.4	648.2	421.9	285.1	162.4	101.0
145	2180.4	2075.2	1814.8	1434.6	1032.8	653.6	425.3	286.7	163.7	102.1
150	2180.4	2078.5	1821.8	1442.7	1039.8	658.2	427.6	287.1	164.5	102.2
155	2180.4	2083.2	1825.8	1449.7	1047.4	663.2	429.3	287.7	165.0	101.4
160	2180.4	2086.2	1828.5	1457.0	1053.1	666.3	430.3	288.4	166.0	102.5
165	2180.4	2087.9	1829.5	1462.0	1059.8	668.9	430.6	289.4	166.8	104.3
170	2180.4	2089.9	1830.5	1467.0	1064.1	671.3	431.3	289.1	166.9	105.2
175	2180.4	2090.9	1831.5	1471.0	1066.5	670.6	431.3	286.7	167.4	105.1
180	2180.4	2092.2	1835.2	1474.7	1068.5	669.9	429.9	284.1	167.7	105.5
185	2180.4	2093.9	1838.2	1475.4	1066.8	667.3	427.6	280.4	167.8	105.1
190	2180.4	2095.9	1840.9	1475.7	1066.1	663.9	424.3	276.0	167.9	103.8
195	2180.4	2096.2	1843.9	1477.0	1063.8	659.6	421.6	271.7	165.9	101.5
200	2180.4	2098.9	1846.2	1479.0	1059.1	654.2	418.6	267.7	164.6	99.5
205	2180.4	2100.2	1850.9	1479.4	1055.8	650.2	415.6	264.4	165.4	100.0
210	2180.4	2101.6	1852.9	1479.4	1049.8	644.2	412.6	262.4	165.2	99.9
215	2180.4	2103.6	1854.2	1479.0	1044.8	639.5	409.2	260.0	163.9	99.6
220	2180.4	2104.6	1856.2	1478.4	1039.8	635.2	406.2	257.7	164.4	99.3
225	2180.4	2105.2	1857.9	1479.7	1036.8	630.9	403.6	255.4	164.5	99.0
230	2180.4	2105.6	1861.9	1481.7	1032.1	627.9	401.6	253.0	162.5	97.5
235	2180.4	2105.9	1863.6	1483.0	1028.4	626.2	399.9	250.3	161.3	96.7

RP Lighting • Fans

Photometric Data Table [Unit:cd] 4427xx-20-3K

240	2180.4	2105.9	1864.2	1484.0	1024.7	623.9	397.9	248.7	161.7	95.6
245	2180.4	2106.9	1864.6	1484.4	1020.1	622.9	396.5	247.3	161.8	95.4
250	2180.4	2106.2	1865.6	1485.7	1019.1	621.9	395.5	247.3	163.9	95.5
255	2180.4	2106.6	1865.9	1487.0	1017.7	622.5	396.2	248.0	165.2	95.5
260	2180.4	2106.6	1864.9	1488.0	1015.1	622.2	396.5	248.3	165.5	94.9
265	2180.4	2105.6	1865.2	1489.4	1014.1	622.9	395.5	248.3	164.3	93.0
270	2180.4	2106.9	1866.6	1489.1	1012.1	623.2	396.5	249.3	164.4	92.4
275	2180.4	2106.6	1869.2	1488.7	1012.1	623.9	397.5	250.0	164.4	91.9
280	2180.4	2106.9	1872.6	1490.1	1010.7	625.5	398.2	250.7	164.6	92.4
285	2180.4	2106.9	1874.2	1491.1	1009.7	625.9	398.2	250.7	164.8	92.3
290	2180.4	2107.2	1875.9	1492.7	1008.1	626.5	398.5	249.3	161.6	87.9
295	2180.4	2107.2	1876.9	1495.7	1007.4	627.5	400.6	250.3	161.5	87.6
300	2180.4	2107.6	1877.9	1496.7	1008.7	628.5	402.9	251.7	165.9	90.7
305	2180.4	2107.6	1879.3	1497.1	1011.1	631.5	405.2	252.7	167.4	89.9
310	2180.4	2108.2	1879.9	1497.4	1013.1	632.9	407.2	253.3	168.7	89.6
315	2180.4	2107.9	1880.3	1498.4	1015.1	635.2	408.2	254.0	168.8	91.3
320	2180.4	2106.2	1878.6	1501.1	1017.7	637.2	409.2	254.4	169.3	91.8
325	2180.4	2103.6	1877.3	1503.1	1019.7	638.9	410.2	254.7	169.6	91.6
330	2180.4	2102.2	1874.2	1504.4	1021.1	639.5	410.9	255.0	171.1	91.2
335	2180.4	2100.6	1873.9	1503.7	1021.1	640.2	410.9	255.7	171.9	92.4
340	2180.4	2098.2	1872.9	1503.1	1023.1	641.6	410.6	256.0	171.3	94.0
345	2180.4	2096.6	1871.9	1502.1	1025.1	641.6	410.2	256.0	169.9	92.2
350	2180.4	2094.2	1869.9	1500.7	1023.1	640.9	410.2	255.7	169.3	91.4
355	2180.4	2092.9	1867.6	1498.4	1023.4	638.5	409.2	255.0	169.9	90.5
360	2180.4	2094.6	1865.6	1494.7	1021.4	637.2	407.9	254.4	174.6	90.6

C\G	50	55	60	65	70	75	80	85	90
0	41.4	13.1	7.4	4.6	3.5	2.5	1.6	1.0	0.6
5	41.3	13.1	7.2	4.6	3.5	2.5	1.6	1.0	0.6
10	40.7	12.8	7.1	4.6	3.5	2.5	1.6	1.0	0.6
15	40.3	12.6	7.0	4.6	3.5	2.5	1.6	1.0	0.6
20	40.4	12.8	6.7	4.6	3.5	2.5	1.6	1.0	0.6
25	40.1	12.8	6.8	4.6	3.5	2.5	1.6	1.0	0.6
30	40.0	12.9	7.3	4.6	3.6	2.5	1.6	1.0	0.6
35	40.3	13.5	7.5	4.7	3.6	2.6	1.7	1.0	0.6
40	40.5	14.0	7.6	4.8	3.6	2.6	1.7	1.0	0.6
45	40.5	14.3	7.6	4.8	3.6	2.6	1.7	1.0	0.6
50	40.8	14.5	7.6	4.9	3.7	2.6	1.7	1.0	0.6
55	41.2	14.7	7.7	4.9	3.7	2.7	1.7	1.1	0.6
60	41.8	15.1	7.7	4.9	3.7	2.7	1.7	1.1	0.6
65	42.4	15.4	7.7	4.9	3.8	2.8	1.7	1.1	0.6
70	43.2	15.9	8.0	4.9	3.8	2.7	1.8	1.1	0.6
75	44.0	16.4	8.4	4.9	3.8	2.8	1.8	1.1	0.6
80	44.8	16.9	8.6	4.9	3.8	2.8	1.8	1.1	0.6
85	45.5	17.4	8.7	4.9	3.8	2.9	1.8	1.1	0.6
90	46.1	18.0	8.8	5.1	3.9	2.9	1.9	1.1	0.6
95	46.7	18.3	8.8	5.2	3.9	2.9	1.9	1.2	0.6
100	47.2	18.5	8.6	5.4	4.0	3.0	1.9	1.2	0.6

RP Lighting • Fans

Photometric Data Table [Unit:cd] 4427xx-20-3K

105	47.8	18.6	8.4	5.4	4.0	3.0	1.9	1.2	0.6
110	47.3	18.8	8.3	5.4	4.0	3.0	2.0	1.2	0.6
115	47.6	19.1	8.4	5.2	4.0	3.1	2.0	1.2	0.6
120	48.3	19.5	8.9	5.2	4.0	3.1	2.0	1.2	0.6
125	49.1	20.2	9.5	5.2	4.0	3.1	2.0	1.2	0.6
130	50.0	20.9	10.0	5.2	4.0	3.1	2.1	1.2	0.6
135	51.0	21.4	10.0	5.3	4.0	3.1	2.1	1.3	0.6
140	51.4	21.6	10.1	5.2	4.0	3.2	2.1	1.3	0.6
145	51.6	21.7	10.0	5.3	4.0	3.1	2.1	1.3	0.6
150	52.1	21.9	9.9	5.3	4.0	3.2	2.1	1.3	0.6
155	52.4	22.1	10.0	5.3	4.1	3.2	2.1	1.3	0.6
160	52.9	22.3	10.0	5.3	4.1	3.2	2.1	1.3	0.6
165	53.5	22.4	10.0	5.3	4.1	3.2	2.1	1.3	0.6
170	54.0	22.5	10.2	5.3	4.0	3.1	2.1	1.2	0.6
175	53.9	22.4	10.2	5.3	4.0	3.1	2.1	1.3	0.6
180	53.5	22.0	10.1	5.3	4.0	3.1	2.1	1.3	0.6
185	53.5	21.4	9.9	5.3	4.0	3.1	2.0	1.2	0.6
190	52.5	20.7	9.4	5.3	4.0	3.1	2.0	1.2	0.6
195	51.0	19.9	8.8	5.2	4.0	3.1	2.0	1.2	0.6
200	50.0	19.3	8.6	5.2	4.0	3.1	2.0	1.2	0.6
205	49.3	18.8	8.5	5.2	4.0	3.0	2.0	1.2	0.6
210	49.3	18.6	8.8	5.2	4.0	3.0	2.0	1.2	0.6
215	49.0	18.6	8.8	5.2	4.1	3.1	2.0	1.2	0.6
220	48.0	18.1	8.8	5.2	4.0	3.0	1.9	1.2	0.6
225	47.1	17.6	8.6	5.1	3.9	2.9	1.9	1.2	0.6
230	46.7	17.4	8.4	5.1	3.9	2.9	1.9	1.2	0.6
235	46.2	17.0	8.2	5.0	3.8	2.8	1.8	1.1	0.6
240	45.8	16.6	8.0	5.0	3.8	2.8	1.8	1.1	0.6
245	45.6	16.3	7.9	4.9	3.8	2.8	1.8	1.1	0.6
250	45.2	15.9	8.1	4.9	3.7	2.7	1.7	1.1	0.6
255	44.7	15.5	8.3	4.9	3.7	2.7	1.7	1.1	0.6
260	44.3	15.1	8.3	4.9	3.7	2.7	1.7	1.1	0.6
265	43.8	14.8	8.2	4.8	3.6	2.6	1.7	1.1	0.6
270	43.3	14.4	8.1	4.8	3.6	2.6	1.7	1.0	0.6
275	42.8	14.0	8.0	4.8	3.6	2.6	1.7	1.0	0.6
280	42.2	13.5	7.6	4.7	3.5	2.5	1.7	1.0	0.6
285	41.5	13.2	7.4	4.7	3.5	2.5	1.6	1.0	0.6
290	41.0	13.1	7.3	4.7	3.5	2.5	1.6	1.0	0.6
295	40.6	12.9	7.4	4.7	3.5	2.5	1.6	1.0	0.6
300	40.2	12.7	7.6	4.7	3.5	2.5	1.6	1.0	0.6
305	39.9	13.0	7.7	4.7	3.5	2.5	1.6	1.0	0.6
310	39.6	13.3	7.8	4.7	3.5	2.5	1.6	1.0	0.6
315	39.5	13.3	7.8	4.7	3.5	2.5	1.6	1.0	0.6
320	39.7	13.3	7.9	4.7	3.5	2.5	1.6	1.0	0.6
325	39.8	13.3	7.8	4.7	3.5	2.5	1.6	1.0	0.6
330	40.1	13.3	7.8	4.7	3.5	2.4	1.6	1.0	0.6
335	40.5	13.3	7.9	4.7	3.5	2.5	1.6	1.0	0.6
340	41.0	13.2	8.0	4.7	3.5	2.5	1.6	1.0	0.6
345	41.3	13.2	7.9	4.6	3.5	2.5	1.6	1.0	0.6

RP Lighting • Fans

Photometric Data Table [Unit:cd] 4427xx-20-3K

350	41.4	13.2	7.8	4.6	3.5	2.5	1.6	1.0	0.6
355	41.4	13.1	7.5	4.6	3.5	2.5	1.6	1.0	0.6
360	41.4	13.1	7.4	4.6	3.5	2.5	1.6	1.0	0.6

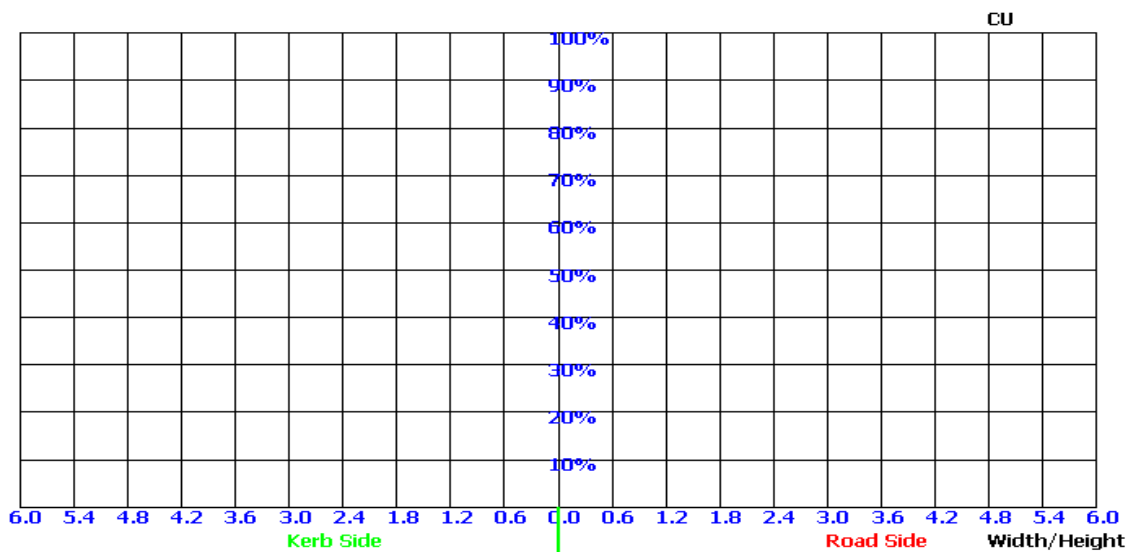
RP Lighting • Fans

Zonal Flux 4427xx-20-3K

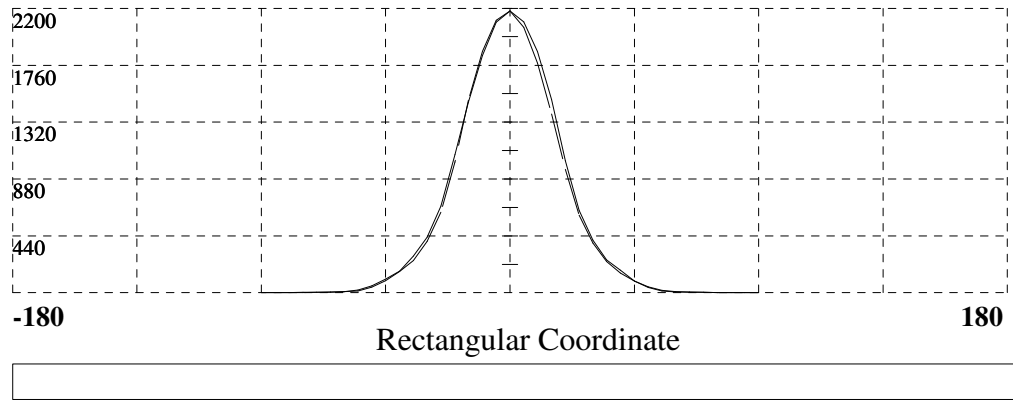
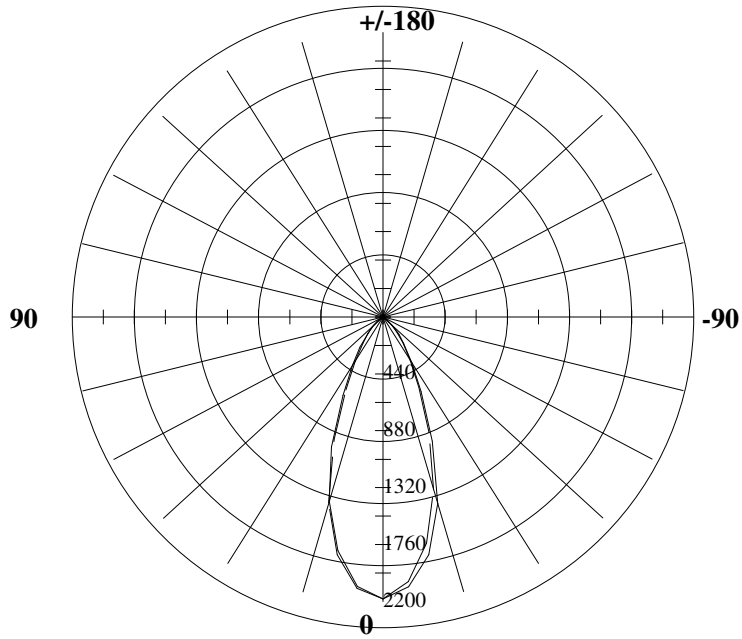
Gamma [°]	I _{mean} [cd]	Zonal Flux [lm]	Sum.Flux [lm]	Zonal Flux [%]	Sum.Flux [%]
0	2180.45	0.00	0.00	0.00	0.00
5	2086.59	51.01	51.01	-5101.12	-5101.12
10	1836.51	140.34	191.35	-14034.17	-19135.29
15	1456.31	195.33	386.68	-19532.79	-38668.10
20	1009.89	203.25	589.93	-20324.93	-58993.02
25	629.55	171.95	761.88	-17194.68	-76187.68
30	403.76	130.77	892.64	-13076.59	-89264.26
35	256.46	97.22	989.86	-9722.12	-98986.38
40	162.06	69.83	1059.69	-6982.65	-105969.03
45	93.93	47.40	1107.09	-4739.80	-110708.84
50	45.18	28.11	1135.20	-2811.00	-113519.86
55	16.53	13.42	1148.62	-1341.99	-114861.84
60	8.37	5.76	1154.37	-575.60	-115437.43
65	4.96	3.24	1157.61	-323.96	-115761.40
70	3.77	2.21	1159.82	-220.98	-115982.42
75	2.79	1.71	1161.54	-171.43	-116153.87
80	1.81	1.23	1162.77	-123.14	-116277.01
85	1.11	0.79	1163.57	-79.41	-116356.47
90	0.60	0.47	1164.03	-46.71	-116403.17

RP Lighting • Fans

Coefficient Utilization Curve 4427xx-20-3K

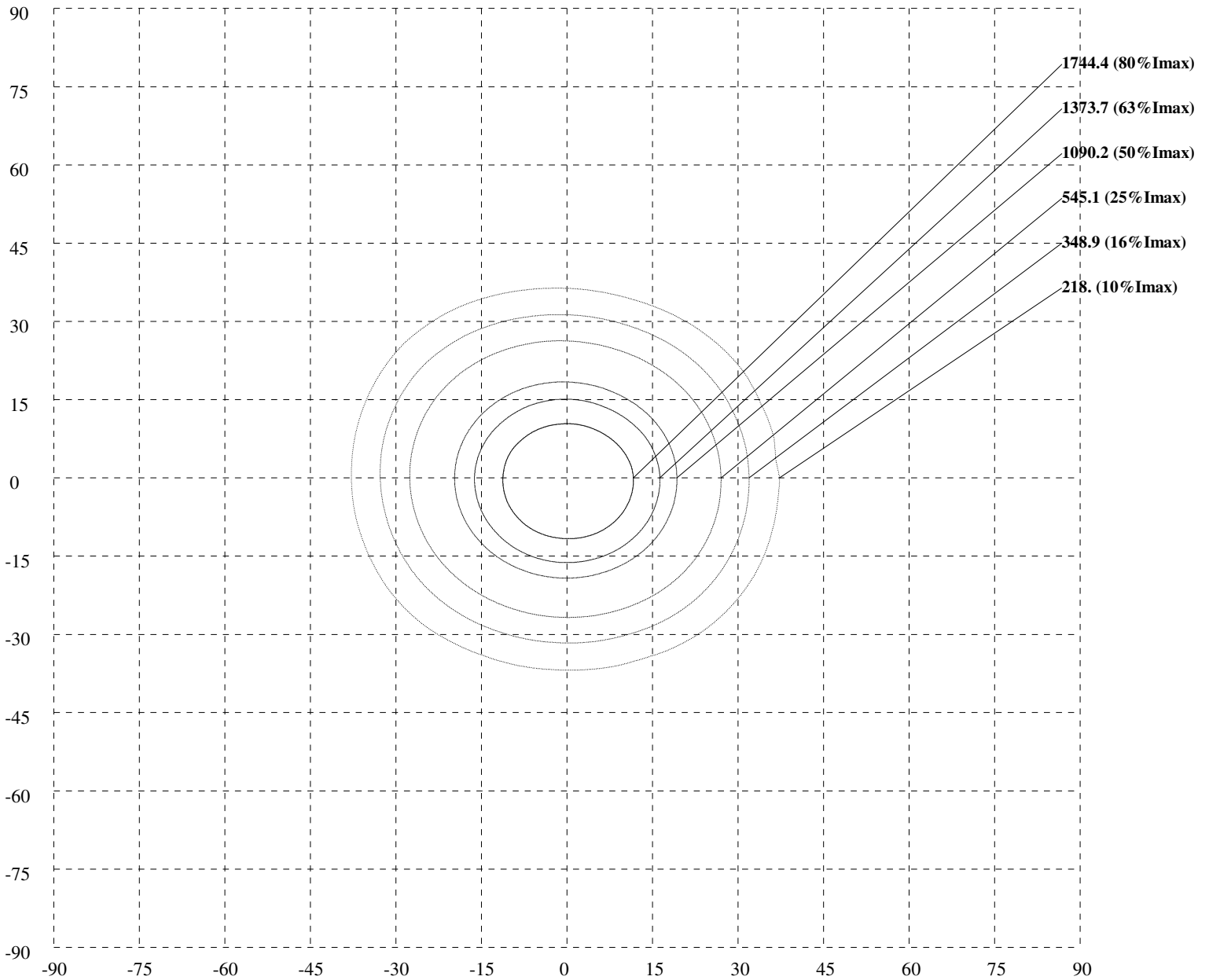


Light Distribution Curve[Unit: cd]



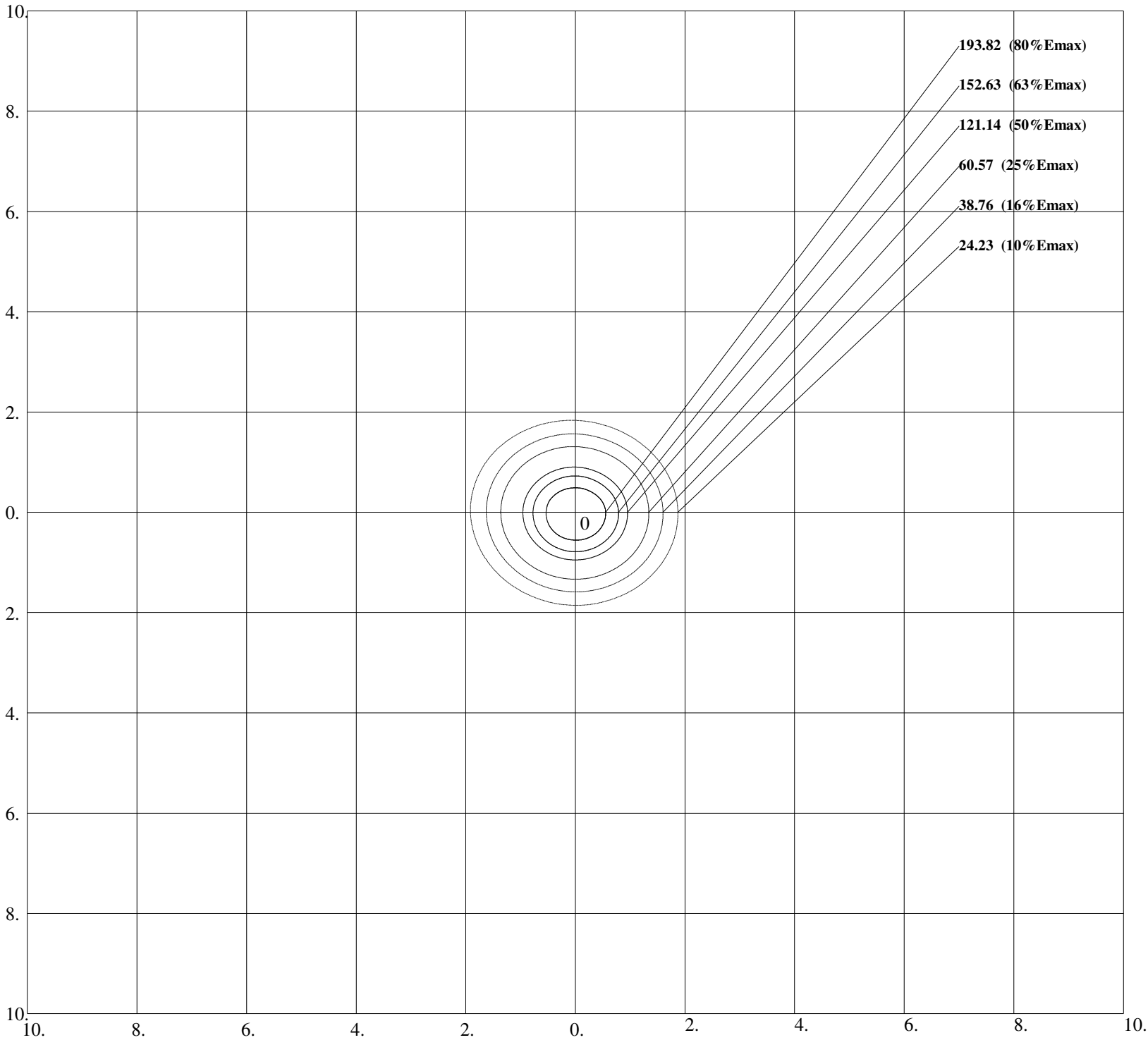
RP Lighting • Fans

ISO-Candela V-H [Unit :cd] 4427xx-20-3K



RP Lighting • Fans

Iso-Lux [Unit :lx] 4427xx-20-3K



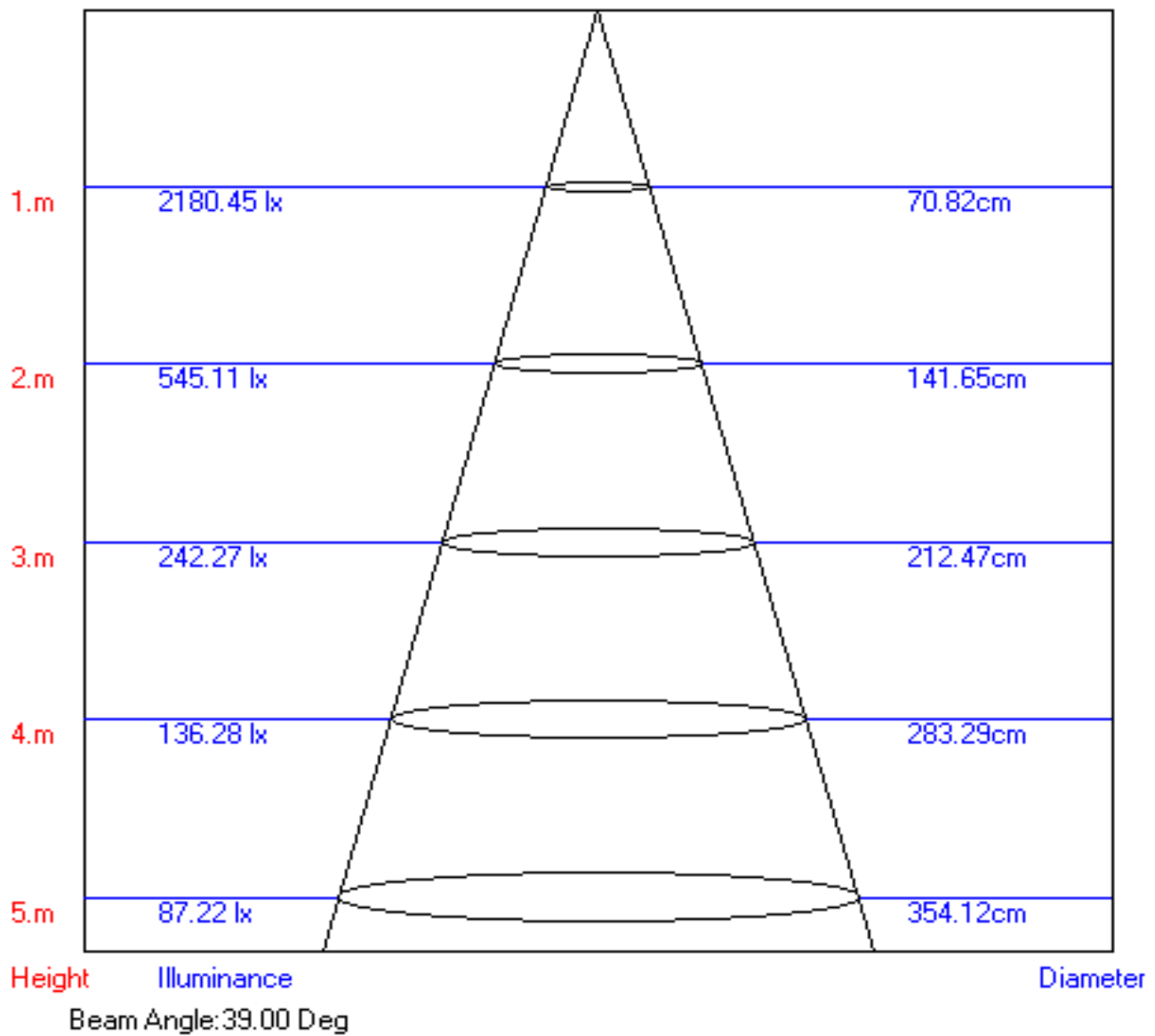
Units: lx

Height: 3 m

Max Illuminance : 242.27lx

RP Lighting • Fans

Lux-Distance Curve

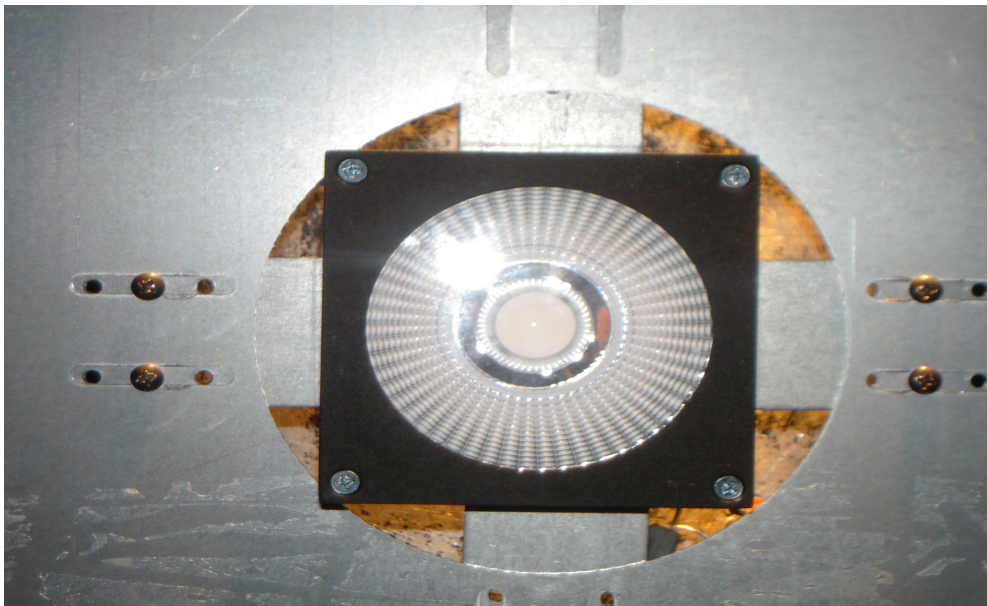


Test Report of Luminaire

Report No.:

Luminaire Type	4427xx-30-3K		
Lamp Type	LED_Wallcylinder		
Client		EUT NO.	CCT: 2866K, CRI: 80.8Ra
Luminaire Parameters:			
Voltage	120.0	Current	0.229
Power:	27.0	Power Factor	0.982
Frequency:	60Hz	Tc	3000K
Photometric Parameters			
Luminaire Flux	1722.26 lm	Luminaire Eff.	Data imperfect...!
Max Intensity	3183.37cd	Central Intensity	3183.37cd
Angle of Max Intensity:	C:0 G:0		
Upward Flux Ratio	-0.01%		
Downward Flux Ratio	-172226.1%		
50%Imax Beam Width	C0_180[19.1 ,-21.6] C90_270[19.4 ,-17.9]		
Remark			

Luminaire Figure



RP Lighting • Fans

Photometric Data Table [Unit:cd] 4427xx-30-3K

C\G	0	5	10	15	20	25	30	35	40	45
0	3183.4	3020.2	2617.9	2050.8	1491.4	919.6	613.5	360.2	231.7	125.8
5	3183.4	3024.8	2627.0	2057.8	1500.1	927.6	617.2	358.5	234.7	126.2
10	3183.4	3033.2	2639.3	2066.8	1506.4	936.0	620.2	356.2	237.0	125.8
15	3183.4	3041.5	2651.3	2075.9	1516.1	947.3	626.5	359.5	237.7	126.9
20	3183.4	3043.5	2664.0	2088.2	1526.4	960.7	631.9	363.2	238.3	126.8
25	3183.4	3046.5	2657.0	2097.9	1536.1	967.0	631.9	368.5	235.0	123.6
30	3183.4	3052.9	2665.7	2100.9	1488.7	959.0	631.5	371.5	235.7	123.6
35	3183.4	3056.5	2639.3	2071.9	1435.3	908.6	590.8	335.1	223.6	107.1
40	3183.4	2995.8	2572.2	2015.8	1366.9	862.9	553.4	337.1	211.6	106.7
45	3183.4	2996.5	2533.5	2023.5	1383.2	845.2	558.8	341.5	214.6	108.3
50	3183.4	2951.7	2539.5	2031.8	1400.6	854.8	563.4	346.8	218.3	109.4
55	3183.4	2936.4	2549.8	2000.1	1413.6	865.9	567.8	352.2	221.0	110.8
60	3183.4	2938.7	2557.5	2013.8	1429.3	873.9	572.5	358.2	223.0	114.2
65	3183.4	2941.4	2568.2	2025.5	1442.7	883.5	577.8	364.8	228.0	117.6
70	3183.4	2943.1	2580.6	2039.8	1458.7	895.2	585.8	373.2	234.7	120.1
75	3183.4	2946.1	2592.2	2052.5	1481.7	906.2	596.2	380.2	242.3	123.1
80	3183.4	2951.7	2599.6	2067.8	1498.7	917.9	604.2	387.5	247.0	125.5
85	3183.4	2956.7	2608.9	2081.2	1513.4	927.3	611.8	393.2	251.0	126.5
90	3183.4	2960.7	2620.9	2097.9	1527.1	939.3	620.9	399.2	254.0	129.3
95	3183.4	2965.8	2629.6	2112.9	1542.8	952.0	629.5	405.9	258.4	131.4
100	3183.4	2973.4	2644.6	2133.6	1559.5	967.3	638.9	411.9	261.0	133.8
105	3183.4	2986.1	2659.3	2151.0	1580.2	978.3	645.9	416.6	265.0	135.4
110	3183.4	3000.8	2677.4	2173.0	1596.2	988.7	653.6	421.6	269.4	137.0
115	3183.4	3010.1	2696.0	2193.7	1614.6	1002.0	661.2	426.6	275.7	141.3
120	3183.4	3053.5	2709.7	2216.4	1631.2	1016.7	669.3	432.3	280.4	145.6
125	3183.4	3063.6	2721.4	2232.7	1651.3	1030.1	675.9	437.3	285.1	147.3
130	3183.4	3073.9	2758.1	2260.8	1669.6	1041.4	682.6	442.3	288.7	148.6
135	3183.4	3139.7	2771.5	2278.1	1685.7	1055.5	689.3	446.9	292.7	151.3
140	3183.4	3145.7	2827.2	2289.5	1700.3	1066.5	695.0	450.6	294.4	151.2
145	3183.4	3151.0	2857.6	2334.5	1712.4	1073.1	696.3	453.0	294.7	154.6
150	3183.4	3156.7	2866.3	2376.3	1722.0	1131.2	696.3	453.6	296.1	160.1
155	3183.4	3158.3	2871.0	2388.0	1775.8	1137.6	742.7	465.3	297.4	169.6
160	3183.4	3154.0	2880.3	2389.3	1786.8	1143.9	744.4	466.3	301.7	172.0
165	3183.4	3155.7	2881.6	2397.0	1795.1	1149.2	745.4	467.0	300.7	170.6
170	3183.4	3154.0	2879.6	2400.0	1800.5	1151.3	743.4	466.0	299.1	167.9
175	3183.4	3155.0	2883.0	2398.6	1800.1	1148.9	739.4	464.6	297.7	167.7
180	3183.4	3156.7	2883.0	2397.3	1794.5	1143.2	733.7	462.3	296.7	169.6
185	3183.4	3154.0	2878.6	2388.6	1785.5	1136.6	727.0	459.6	293.7	168.0
190	3183.4	3152.0	2873.0	2376.3	1772.1	1126.6	719.3	456.3	289.1	163.7
195	3183.4	3148.3	2863.9	2360.6	1752.4	1111.5	708.0	451.3	283.4	160.2
200	3183.4	3146.3	2853.6	2347.2	1731.7	1092.2	696.3	444.9	277.7	155.9
205	3183.4	3140.7	2843.2	2330.2	1712.0	1076.1	685.3	441.6	273.7	153.3
210	3183.4	3137.7	2829.2	2309.8	1690.3	1060.5	673.6	434.6	267.7	150.3
215	3183.4	3131.6	2814.2	2291.8	1673.0	1045.4	665.9	430.6	263.0	147.2
220	3183.4	3122.0	2790.8	2271.8	1653.3	1030.4	656.6	424.6	258.4	142.2
225	3183.4	3110.3	2766.5	2235.1	1627.6	981.4	627.9	393.2	251.3	139.8
230	3183.4	3096.6	2744.1	2186.7	1590.9	926.9	609.2	386.9	241.0	134.1
235	3183.4	3080.6	2719.7	2097.2	1503.4	912.6	602.8	384.2	237.3	132.8

RP Lighting • Fans

Photometric Data Table [Unit:cd] 4427xx-30-3K

240	3183.4	3053.5	2690.4	2079.5	1460.0	897.9	596.2	379.2	233.0	131.1
245	3183.4	3046.5	2660.0	2055.5	1445.7	884.9	587.5	373.2	230.3	129.4
250	3183.4	3032.8	2645.6	2029.5	1386.2	821.8	573.8	343.8	227.3	127.2
255	3183.4	3017.2	2622.6	1959.7	1371.2	803.4	556.1	342.5	211.3	121.7
260	3183.4	3006.5	2602.9	1941.3	1355.9	800.4	546.1	343.8	209.6	119.3
265	3183.4	2998.8	2583.9	1941.3	1339.5	799.8	542.7	342.5	208.3	116.8
270	3183.4	2993.5	2579.6	1943.0	1337.5	800.8	541.1	341.8	207.6	116.6
275	3183.4	2937.0	2576.9	1943.3	1336.5	800.1	541.4	341.5	207.6	116.5
280	3183.4	2939.7	2574.2	1944.0	1335.8	799.4	541.7	343.8	207.6	116.0
285	3183.4	2942.1	2564.9	1948.7	1336.5	800.1	544.1	346.5	206.6	115.2
290	3183.4	2942.4	2562.9	1955.0	1336.5	802.1	545.8	347.1	207.0	114.7
295	3183.4	2946.1	2563.2	1961.0	1338.8	801.4	548.1	348.1	207.6	114.3
300	3183.4	2949.4	2564.9	1969.0	1343.5	805.4	550.1	349.1	207.6	113.5
305	3183.4	2953.7	2566.9	1972.0	1350.5	807.8	552.8	351.8	208.0	113.8
310	3183.4	2956.1	2569.5	1980.1	1358.5	812.1	554.4	355.5	209.3	114.1
315	3183.4	2961.1	2571.2	1987.7	1366.5	818.1	556.1	358.2	210.6	114.8
320	3183.4	2966.1	2576.2	1995.4	1374.9	825.5	559.4	361.5	211.6	115.3
325	3183.4	2970.8	2575.9	2003.8	1383.6	835.1	565.8	365.5	213.6	116.0
330	3183.4	2975.4	2578.9	2012.1	1394.6	845.5	572.5	368.5	215.3	117.5
335	3183.4	2979.8	2583.9	2022.5	1407.6	856.5	578.8	370.8	217.3	119.2
340	3183.4	2986.8	2591.9	2035.5	1418.3	866.9	584.1	373.2	221.3	120.5
345	3183.4	2989.1	2578.9	2049.2	1428.6	877.5	589.8	376.9	223.6	121.2
350	3183.4	2987.8	2584.2	2059.5	1436.3	889.2	596.8	379.5	227.0	121.9
355	3183.4	2992.8	2595.6	2068.2	1448.0	901.9	601.5	375.9	229.6	123.0
360	3183.4	3020.2	2617.9	2050.8	1491.4	919.6	613.5	360.2	231.7	125.8

C\G	50	55	60	65	70	75	80	85	90
0	56.5	19.3	11.1	6.3	4.9	3.6	2.3	1.3	0.6
5	56.1	19.4	11.2	6.3	4.8	3.6	2.2	1.2	0.6
10	55.3	19.5	11.4	6.2	4.7	3.5	2.2	1.2	0.6
15	54.4	19.5	11.4	6.1	4.7	3.5	2.2	1.2	0.6
20	54.8	19.3	11.4	6.1	4.7	3.4	2.1	1.2	0.6
25	54.8	19.2	11.1	6.2	4.4	3.2	2.1	1.2	0.6
30	54.4	18.8	10.6	6.2	4.4	3.3	2.0	1.2	0.6
35	48.7	17.0	9.2	6.4	4.6	3.4	2.1	1.2	0.6
40	39.6	16.0	8.8	6.2	4.6	3.4	2.1	1.2	0.6
45	39.6	16.3	9.0	6.2	4.6	3.4	2.1	1.2	0.6
50	40.2	16.1	9.4	6.3	4.7	3.4	2.1	1.2	0.6
55	40.8	16.7	9.7	6.3	4.7	3.5	2.1	1.3	0.6
60	42.2	17.5	10.0	6.4	4.8	3.5	2.2	1.3	0.6
65	43.9	17.8	10.2	6.4	4.8	3.5	2.2	1.3	0.6
70	45.2	17.9	10.3	6.4	4.8	3.5	2.2	1.3	0.6
75	46.0	18.0	10.4	6.5	4.9	3.5	2.2	1.3	0.6
80	46.6	18.0	10.4	6.6	4.9	3.6	2.3	1.3	0.6
85	47.4	18.1	10.5	6.7	4.9	3.6	2.2	1.3	0.6
90	48.0	18.3	10.7	6.7	5.0	3.6	2.3	1.3	0.6
95	48.9	18.2	10.9	6.9	5.0	3.7	2.3	1.4	0.6
100	49.9	18.5	11.0	7.0	5.1	3.7	2.4	1.4	0.6

RP Lighting • Fans

Photometric Data Table [Unit:cd] 4427xx-30-3K

105	50.7	18.6	11.0	7.0	5.1	3.7	2.4	1.4	0.6
110	51.6	18.7	11.1	7.0	5.1	3.7	2.4	1.4	0.6
115	53.0	18.6	11.5	7.1	5.1	3.8	2.4	1.4	0.6
120	54.3	18.7	11.2	7.1	5.1	3.8	2.5	1.5	0.7
125	55.9	18.5	10.9	7.0	5.2	3.7	2.5	1.5	0.6
130	59.0	18.6	11.1	7.0	5.2	3.8	2.5	1.5	0.6
135	59.7	18.7	11.3	7.1	5.2	3.7	2.6	1.5	0.7
140	60.6	18.5	11.7	7.1	5.2	3.7	2.5	1.5	0.7
145	62.3	19.5	11.9	7.0	5.2	3.7	2.5	1.5	0.7
150	64.1	20.6	12.4	7.0	5.1	3.7	2.5	1.5	0.7
155	73.7	21.0	12.5	7.0	5.1	3.8	2.5	1.5	0.6
160	74.8	24.0	12.5	7.0	5.1	3.8	2.5	1.5	0.6
165	75.0	24.4	13.3	7.0	5.1	3.8	2.5	1.5	0.6
170	75.3	24.7	13.3	7.0	5.1	3.8	2.5	1.4	0.6
175	77.1	24.8	13.2	7.0	5.1	3.8	2.5	1.5	0.6
180	76.8	24.8	13.2	6.9	5.1	3.8	2.5	1.5	0.7
185	76.5	24.8	13.1	6.9	5.1	3.9	2.5	1.5	0.6
190	75.8	24.6	13.0	6.8	5.1	3.9	2.5	1.5	0.6
195	74.8	24.2	12.7	6.8	5.1	3.8	2.5	1.5	0.6
200	73.5	23.8	12.5	6.8	5.1	3.8	2.5	1.5	0.6
205	71.7	23.2	12.2	6.8	5.1	3.8	2.5	1.5	0.6
210	70.0	22.5	11.6	6.8	5.2	3.9	2.5	1.5	0.6
215	68.2	21.2	11.3	6.8	5.2	3.9	2.5	1.5	0.6
220	64.4	20.4	11.0	6.8	5.2	3.9	2.5	1.5	0.6
225	62.7	20.0	11.0	6.8	5.2	4.0	2.5	1.4	0.6
230	61.8	19.9	11.1	6.9	5.3	3.9	2.5	1.4	0.6
235	61.3	19.9	11.1	6.9	5.3	3.9	2.5	1.4	0.6
240	61.9	19.8	11.1	6.9	5.3	3.9	2.5	1.4	0.6
245	61.9	19.6	11.1	6.8	5.3	3.9	2.4	1.3	0.6
250	61.6	19.5	11.0	6.8	5.3	3.9	2.4	1.3	0.6
255	60.2	18.9	10.7	6.7	5.3	4.0	2.4	1.3	0.6
260	58.4	18.4	9.9	6.7	5.3	3.9	2.4	1.3	0.6
265	56.9	18.3	10.2	6.7	5.3	4.0	2.4	1.3	0.6
270	56.3	18.5	10.4	6.7	5.3	4.0	2.4	1.3	0.6
275	55.9	18.6	10.6	6.7	5.4	4.0	2.4	1.3	0.6
280	55.4	18.6	10.7	6.7	5.4	4.0	2.4	1.3	0.6
285	54.8	18.5	10.3	6.6	5.3	4.0	2.4	1.3	0.6
290	54.1	18.3	10.1	6.6	5.4	4.0	2.4	1.3	0.6
295	53.6	18.3	9.8	6.6	5.4	4.0	2.3	1.3	0.6
300	53.3	17.9	9.7	6.6	5.4	4.0	2.4	1.3	0.6
305	52.7	17.3	9.5	6.6	5.4	4.0	2.4	1.3	0.6
310	52.1	17.3	9.1	6.6	5.3	4.0	2.4	1.3	0.6
315	51.9	17.5	9.3	6.6	5.3	4.0	2.4	1.3	0.6
320	52.1	17.4	9.6	6.6	5.3	4.0	2.4	1.3	0.6
325	52.9	17.8	9.8	6.5	5.2	4.0	2.4	1.3	0.6
330	54.4	18.4	9.9	6.5	5.2	3.9	2.4	1.3	0.6
335	56.1	18.7	10.1	6.5	5.1	3.9	2.3	1.2	0.6
340	56.9	18.8	10.3	6.4	5.1	3.8	2.3	1.2	0.6
345	57.4	18.8	10.5	6.4	5.0	3.8	2.3	1.2	0.6

RP Lighting • Fans

Photometric Data Table [Unit:cd] 4427xx-30-3K

350	57.6	18.9	10.8	6.3	5.0	3.7	2.3	1.2	0.6
355	57.6	19.0	10.9	6.3	4.9	3.7	2.3	1.2	0.6
360	56.5	19.3	11.1	6.3	4.9	3.6	2.3	1.3	0.6

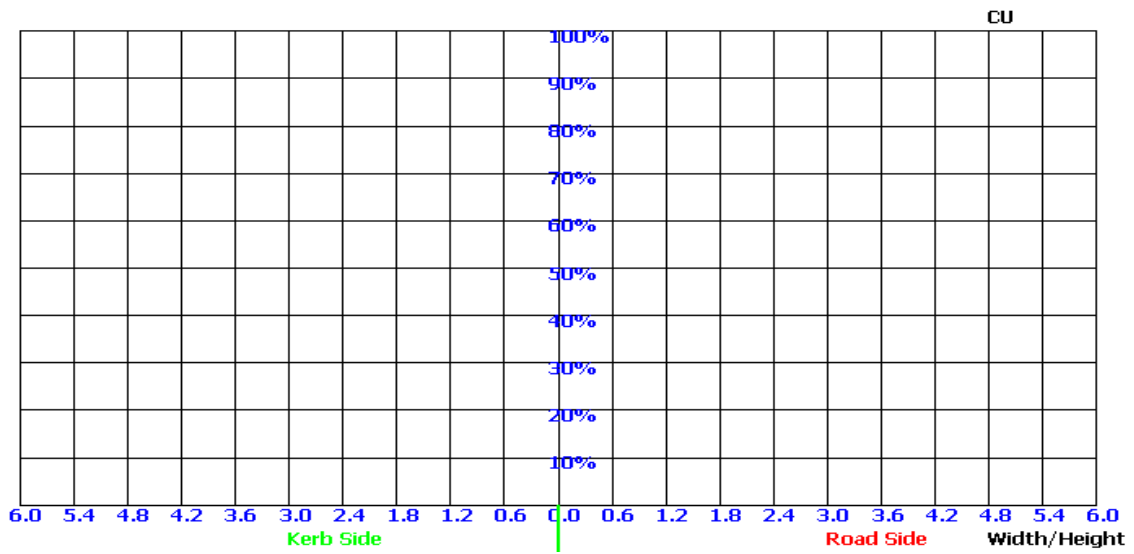
RP Lighting • Fans

Zonal Flux 4427xx-30-3K

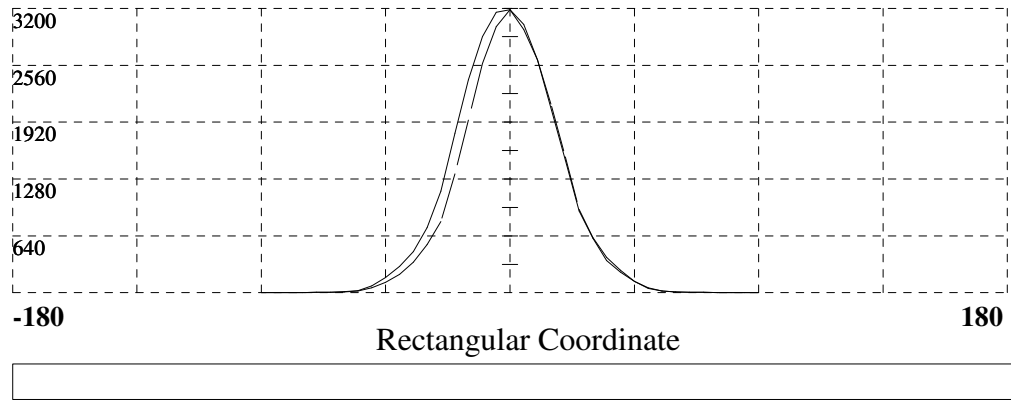
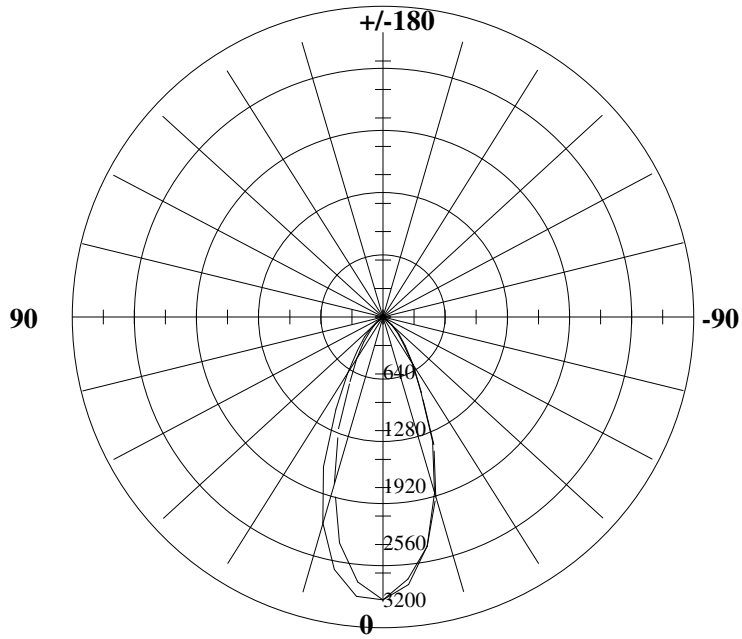
Gamma [°]	I_{mean} [cd]	Zonal Flux [lm]	Sum.Flux [lm]	Zonal Flux [%]	Sum.Flux [%]
0	3183.37	0.00	0.00	0.00	0.00
5	3033.84	74.33	74.33	-7432.51	-7432.51
10	2676.72	204.28	278.61	-20428.49	-27861.00
15	2128.26	285.03	563.64	-28502.80	-56363.79
20	1526.64	301.22	864.85	-30121.53	-86485.35
25	943.46	259.07	1123.92	-25906.79	-112392.15
30	621.62	198.06	1321.98	-19806.23	-132198.40
35	391.45	149.18	1471.17	-14918.24	-147116.64
40	245.41	106.26	1577.42	-10625.50	-157742.20
45	132.35	69.95	1647.37	-6994.51	-164736.76
50	57.56	38.37	1685.74	-3837.43	-168574.22
55	19.43	16.74	1702.48	-1673.99	-170248.17
60	10.94	7.02	1709.50	-702.04	-170950.18
65	6.68	4.28	1713.79	-428.43	-171378.56
70	5.08	2.98	1716.76	-297.80	-171676.42
75	3.77	2.31	1719.08	-231.28	-171907.74
80	2.37	1.64	1720.72	-164.14	-172071.92
85	1.35	1.01	1721.73	-100.89	-172172.79
90	0.60	0.53	1722.26	-53.35	-172226.15

RP Lighting • Fans

Coefficient Utilization Curve 4427xx-30-3K

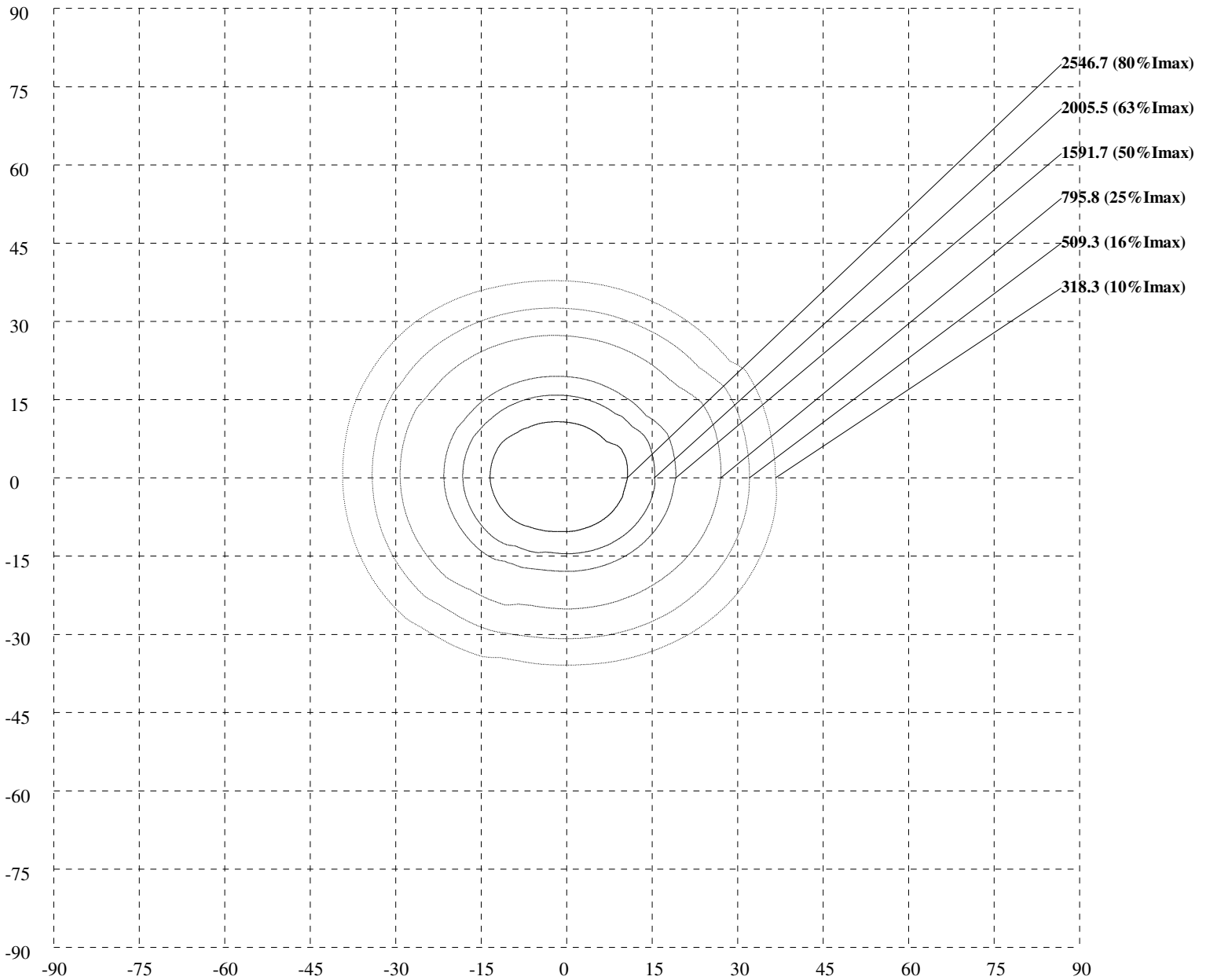


Light Distribution Curve[Unit: cd]



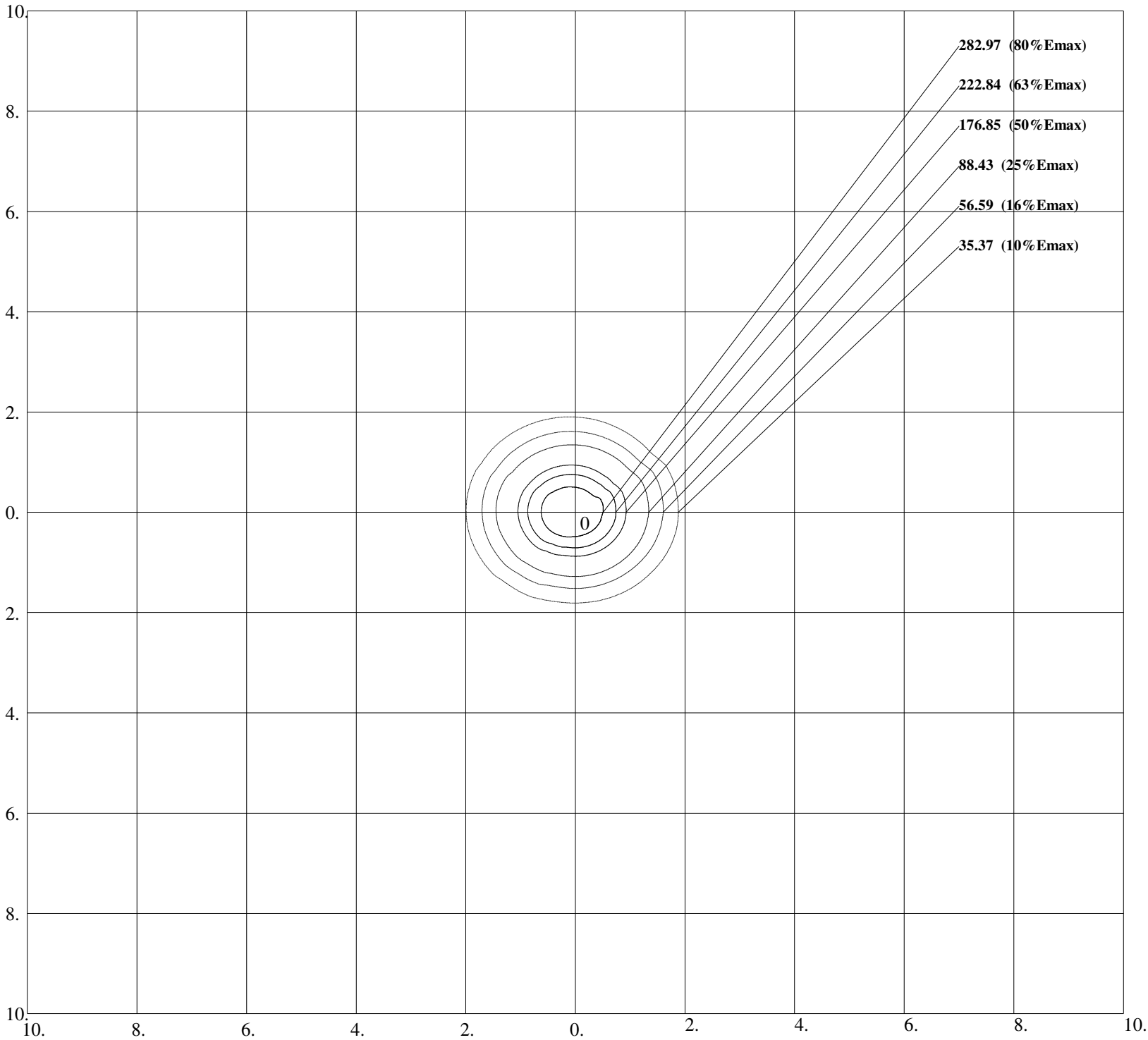
RP Lighting • Fans

ISO-Candela V-H [Unit :cd] 4427xx-30-3K



RP Lighting • Fans

Iso-Lux [Unit :lx] 4427xx-30-3K



Units: lx
Height: 3 m
Max Illuminance : 353.71lx

RP Lighting • Fans

Lux-Distance Curve

