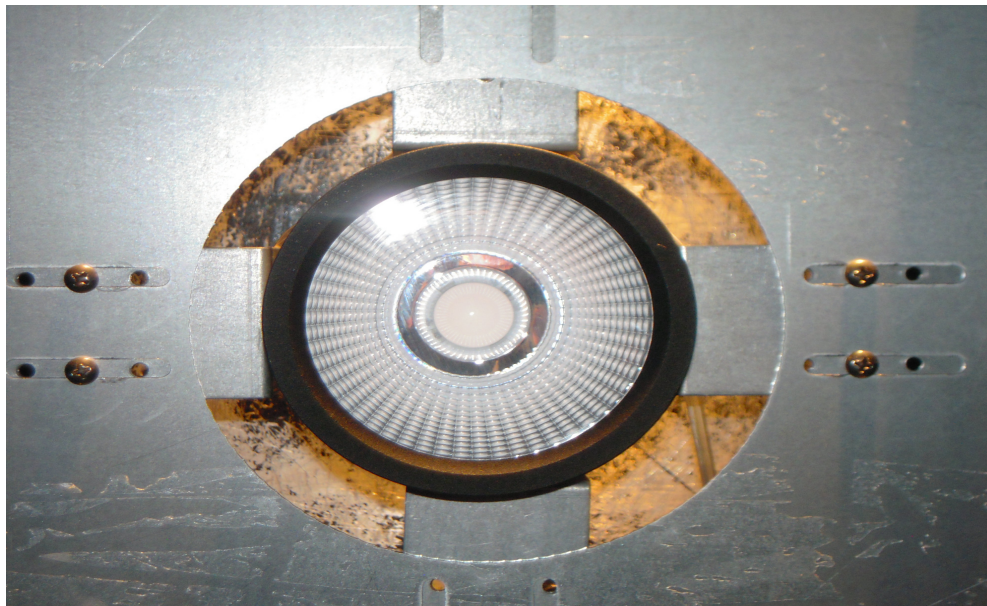


## Test Report of Luminaire

**Report No.:**

Luminaire Type	4426xx-15-3K		
Lamp Type	LED_Cylinder		
Client		EUT NO.	CCT: 3002K, CRI: 82.3Ra
<b>Luminaire Parameters:</b>			
Voltage	120.0	Current	0.111
Power:	13.3	Power Factor	0.991
Frequency:	60Hz	Tc	3000K
<b>Photometric Parameters</b>			
Luminaire Flux	935.36 lm	Luminaire Eff.	Data imperfect...!
Max Intensity	1759.523cd	Central Intensity	1759.523cd
Angle of Max Intensity:	C:0 G:0		
Upward Flux Ratio	0.0%		
Downward Flux Ratio	-93535.59%		
50%Imax Beam Width	C0_180[ 19.7 , -17.9] C90_270[ 19.1 , -19.8]		
Remark			

**Luminaire Figure**



# RP Lighting • Fans

## Photometric Data Table [Unit:cd] 4426xx-15-3K

C\G	0	5	10	15	20	25	30	35	40	45
0	1759.5	1721.0	1539.5	1242.7	855.5	511.0	322.8	206.6	135.4	79.7
5	1759.5	1720.4	1536.4	1241.7	854.2	509.4	321.8	206.6	132.5	77.6
10	1759.5	1719.4	1533.8	1239.7	849.8	509.0	320.8	206.3	132.0	77.5
15	1759.5	1719.4	1532.4	1235.7	845.8	507.4	319.8	205.6	131.9	78.1
20	1759.5	1717.7	1530.4	1229.7	843.2	505.0	318.8	204.6	133.0	77.7
25	1759.5	1718.0	1528.8	1226.0	840.2	503.7	318.4	203.9	134.4	78.8
30	1759.5	1716.7	1528.8	1223.4	837.2	500.4	317.8	203.3	132.2	75.4
35	1759.5	1716.0	1528.4	1221.7	837.2	499.7	317.8	202.3	130.1	73.7
40	1759.5	1715.7	1526.8	1218.7	837.2	499.7	318.8	203.3	133.0	75.0
45	1759.5	1713.4	1524.1	1216.3	835.8	500.4	319.1	203.6	133.5	74.9
50	1759.5	1712.0	1521.4	1213.7	835.8	500.4	319.4	203.9	133.5	74.9
55	1759.5	1709.4	1517.4	1209.3	835.1	501.4	320.4	204.3	133.1	76.4
60	1759.5	1707.4	1513.4	1204.7	831.8	500.4	320.4	204.3	132.7	76.0
65	1759.5	1704.7	1509.4	1200.0	827.8	500.4	320.1	204.6	133.0	76.5
70	1759.5	1702.7	1504.4	1196.0	826.1	499.4	320.4	205.3	134.0	76.8
75	1759.5	1699.3	1498.1	1193.0	824.1	499.4	321.1	204.6	133.5	75.6
80	1759.5	1694.7	1492.1	1188.0	820.8	499.0	320.4	204.3	133.1	75.7
85	1759.5	1691.3	1485.4	1183.3	818.5	498.0	320.1	203.6	132.2	75.6
90	1759.5	1688.0	1479.0	1177.3	813.5	497.4	320.1	203.3	131.7	75.0
95	1759.5	1684.7	1473.0	1171.6	809.4	495.3	319.4	202.3	131.2	75.1
100	1759.5	1680.6	1468.4	1164.9	806.8	493.3	318.1	200.9	130.2	74.4
105	1759.5	1678.6	1463.7	1158.9	802.8	491.3	317.1	199.6	130.1	74.7
110	1759.5	1676.0	1458.7	1153.3	798.8	489.3	315.8	198.3	129.7	75.1
115	1759.5	1673.3	1454.7	1150.3	797.1	485.7	314.4	196.3	128.0	74.8
120	1759.5	1671.6	1451.0	1144.6	794.1	484.7	312.8	194.6	125.3	71.6
125	1759.5	1669.3	1447.0	1137.9	788.8	482.3	311.1	192.9	123.3	70.4
130	1759.5	1667.6	1443.7	1128.9	782.7	480.0	309.4	191.9	123.7	70.4
135	1759.5	1665.6	1440.3	1120.9	775.4	477.3	306.4	190.3	122.6	70.8
140	1759.5	1663.6	1436.6	1112.9	769.4	473.7	303.8	187.6	121.6	70.0
145	1759.5	1660.6	1431.6	1104.9	764.1	470.6	301.4	186.3	120.6	69.7
150	1759.5	1660.0	1427.3	1099.5	758.0	468.3	299.7	184.9	119.2	70.5
155	1759.5	1658.6	1423.0	1095.2	754.0	465.0	298.1	183.6	118.7	70.0
160	1759.5	1658.3	1419.3	1090.2	750.0	464.6	296.4	182.6	118.1	70.3
165	1759.5	1656.3	1415.9	1087.5	745.4	462.3	295.1	181.2	117.5	69.7
170	1759.5	1655.9	1412.3	1084.5	742.7	461.3	295.1	181.2	116.8	69.5
175	1759.5	1655.6	1409.9	1081.8	739.4	461.6	294.7	180.6	116.7	69.6
180	1759.5	1653.6	1408.6	1079.5	738.3	460.0	295.1	180.2	116.5	69.8
185	1759.5	1653.9	1407.9	1078.5	739.7	461.3	294.7	180.9	116.3	69.9
190	1759.5	1653.6	1408.3	1079.2	741.0	461.3	295.7	181.2	116.6	69.9
195	1759.5	1653.6	1409.3	1081.2	743.7	461.3	295.4	181.9	117.1	69.7
200	1759.5	1655.6	1411.9	1084.2	746.4	462.0	295.4	181.9	117.1	69.9
205	1759.5	1656.6	1414.3	1087.5	749.0	462.3	295.4	182.3	117.7	70.3
210	1759.5	1657.9	1417.0	1091.8	751.0	464.3	295.7	182.6	116.7	69.4
215	1759.5	1659.0	1420.0	1096.8	752.7	466.0	297.7	183.3	116.9	69.6
220	1759.5	1660.0	1421.3	1101.2	758.7	469.0	298.4	184.9	118.6	70.4
225	1759.5	1661.0	1425.6	1108.2	764.1	471.6	300.7	186.3	119.5	71.6
230	1759.5	1662.6	1432.0	1118.2	771.4	475.7	303.1	187.9	120.5	72.8
235	1759.5	1665.0	1439.6	1127.6	778.7	481.3	305.8	190.3	121.7	73.5

# RP Lighting • Fans

## Photometric Data Table [Unit:cd] 4426xx-15-3K

240	1759.5	1668.0	1446.3	1137.9	788.4	486.3	308.8	192.6	123.2	74.6
245	1759.5	1671.6	1452.7	1147.9	799.4	491.7	313.1	194.6	125.0	75.8
250	1759.5	1674.3	1459.0	1158.9	812.8	497.4	317.1	197.9	127.4	77.6
255	1759.5	1676.3	1467.0	1170.6	826.5	504.0	321.4	200.9	129.8	79.1
260	1759.5	1678.3	1474.7	1183.0	839.5	512.0	327.1	205.3	133.0	81.0
265	1759.5	1681.3	1485.0	1195.0	853.8	521.1	332.1	209.0	135.4	83.1
270	1759.5	1684.0	1493.4	1208.3	868.2	530.4	336.8	213.0	137.3	84.2
275	1759.5	1688.7	1500.1	1221.7	880.5	537.7	341.5	216.3	139.0	84.6
280	1759.5	1691.7	1505.4	1235.7	891.6	544.1	344.5	219.3	140.9	85.2
285	1759.5	1695.3	1512.1	1245.7	899.2	548.4	346.5	221.6	142.3	87.1
290	1759.5	1698.7	1516.8	1251.7	903.9	550.4	347.1	222.6	142.7	88.6
295	1759.5	1701.7	1520.8	1252.1	903.6	549.1	347.1	223.3	142.9	91.9
300	1759.5	1703.7	1524.1	1250.7	901.2	546.4	344.5	219.6	139.4	84.7
305	1759.5	1706.7	1528.8	1250.4	896.6	541.7	341.8	218.6	140.5	83.2
310	1759.5	1708.4	1531.4	1250.1	892.6	539.1	339.8	217.6	140.2	85.5
315	1759.5	1710.4	1534.8	1248.1	888.6	537.1	338.8	216.6	138.6	84.8
320	1759.5	1711.7	1536.1	1248.4	884.6	536.1	337.1	215.3	137.6	82.6
325	1759.5	1712.0	1537.1	1248.4	881.9	533.7	335.1	214.3	136.9	82.0
330	1759.5	1714.0	1537.8	1249.7	877.2	529.4	332.8	213.0	135.9	81.2
335	1759.5	1716.4	1540.1	1247.7	870.9	524.4	330.5	211.6	134.7	81.0
340	1759.5	1716.7	1541.5	1245.4	866.9	520.7	328.8	210.3	134.8	81.4
345	1759.5	1718.0	1541.5	1245.0	861.9	516.7	326.4	209.0	135.6	81.9
350	1759.5	1718.0	1541.5	1243.7	857.5	514.7	324.8	207.6	135.6	80.8
355	1759.5	1718.4	1539.8	1243.4	856.8	512.4	323.4	207.0	134.8	79.5
360	1759.5	1721.0	1539.5	1242.7	855.5	511.0	322.8	206.6	135.4	79.7

C\G	50	55	60	65	70	75	80	85	90
0	38.4	14.2	7.7	4.6	3.4	2.6	1.9	1.3	0.6
5	38.3	14.1	7.6	4.5	3.4	2.6	1.8	1.3	0.6
10	38.0	13.9	7.5	4.5	3.4	2.6	1.8	1.3	0.6
15	37.6	13.7	7.4	4.5	3.4	2.5	1.8	1.3	0.6
20	37.1	13.4	7.3	4.5	3.4	2.6	1.8	1.3	0.6
25	36.6	13.1	7.1	4.5	3.4	2.6	1.9	1.3	0.6
30	36.4	12.9	6.9	4.5	3.4	2.6	1.9	1.3	0.6
35	36.0	12.8	6.8	4.4	3.3	2.6	1.8	1.3	0.6
40	35.5	12.5	6.8	4.4	3.4	2.6	1.9	1.2	0.6
45	35.3	12.6	7.0	4.5	3.4	2.6	1.8	1.3	0.6
50	35.2	12.7	7.1	4.4	3.4	2.6	1.8	1.3	0.6
55	35.0	12.7	7.1	4.4	3.4	2.6	1.8	1.2	0.6
60	34.9	12.7	7.2	4.4	3.4	2.6	1.8	1.2	0.6
65	35.0	12.6	7.2	4.4	3.4	2.6	1.8	1.3	0.6
70	35.2	12.7	7.3	4.4	3.4	2.6	1.8	1.3	0.6
75	35.5	12.8	7.4	4.4	3.4	2.6	1.8	1.2	0.6
80	35.7	12.9	7.4	4.5	3.5	2.6	1.8	1.2	0.6
85	35.7	13.0	7.6	4.5	3.5	2.6	1.8	1.2	0.6
90	35.8	13.1	7.5	4.5	3.5	2.7	1.9	1.3	0.6
95	35.7	13.1	7.7	4.5	3.5	2.7	1.9	1.3	0.6
100	35.6	13.1	7.6	4.5	3.5	2.7	1.9	1.3	0.6

## RP Lighting • Fans

### Photometric Data Table [Unit:cd] 4426xx-15-3K

105	35.4	13.1	7.7	4.5	3.5	2.7	1.9	1.2	0.6
110	35.3	13.1	7.7	4.5	3.5	2.7	1.9	1.3	0.6
115	35.0	12.9	7.3	4.5	3.5	2.6	1.9	1.3	0.6
120	34.4	12.9	7.1	4.5	3.5	2.7	1.9	1.2	0.6
125	34.2	12.8	7.1	4.5	3.5	2.7	1.9	1.3	0.6
130	34.0	12.8	7.3	4.5	3.6	2.7	1.9	1.3	0.6
135	34.0	12.9	7.6	4.6	3.5	2.7	1.9	1.2	0.6
140	34.1	13.3	7.7	4.5	3.5	2.7	1.9	1.3	0.6
145	34.0	13.5	7.7	4.5	3.5	2.7	1.8	1.2	0.6
150	34.0	13.6	7.7	4.4	3.5	2.6	1.8	1.2	0.6
155	34.2	13.7	7.7	4.4	3.5	2.7	1.8	1.2	0.6
160	34.4	13.8	7.6	4.4	3.5	2.6	1.8	1.2	0.6
165	34.7	13.9	7.6	4.4	3.4	2.6	1.8	1.2	0.6
170	35.0	14.1	7.7	4.4	3.5	2.6	1.8	1.2	0.6
175	35.2	14.4	7.8	4.4	3.5	2.6	1.8	1.2	0.6
180	35.4	14.6	7.8	4.4	3.5	2.6	1.8	1.2	0.6
185	35.6	14.8	7.9	4.4	3.5	2.6	1.8	1.2	0.6
190	35.9	14.9	7.9	4.4	3.5	2.6	1.8	1.2	0.6
195	36.3	15.1	7.8	4.4	3.5	2.6	1.8	1.2	0.6
200	36.5	15.0	7.8	4.5	3.5	2.6	1.8	1.2	0.6
205	36.4	14.7	7.5	4.5	3.4	2.7	1.8	1.2	0.6
210	36.2	14.8	7.1	4.5	3.5	2.6	1.9	1.2	0.6
215	36.4	15.0	7.0	4.4	3.5	2.6	1.9	1.2	0.6
220	36.5	15.1	7.3	4.5	3.4	2.6	1.8	1.3	0.6
225	37.0	15.4	7.7	4.4	3.5	2.6	1.8	1.2	0.6
230	37.5	16.0	7.9	4.5	3.5	2.6	1.8	1.2	0.6
235	37.9	16.3	7.9	4.5	3.5	2.6	1.9	1.3	0.6
240	38.3	16.4	8.0	4.5	3.5	2.7	1.9	1.3	0.6
245	39.0	16.6	8.1	4.6	3.6	2.7	1.9	1.3	0.6
250	39.6	16.8	8.2	4.6	3.6	2.7	1.9	1.3	0.6
255	40.4	17.1	8.3	4.6	3.6	2.7	1.9	1.3	0.6
260	41.1	17.3	8.4	4.6	3.6	2.7	1.9	1.3	0.6
265	41.8	17.4	8.4	4.6	3.6	2.7	1.9	1.3	0.6
270	42.4	17.6	8.5	4.6	3.6	2.7	1.9	1.3	0.6
275	42.9	17.6	8.5	4.6	3.6	2.7	1.9	1.3	0.6
280	43.3	17.7	8.5	4.6	3.6	2.7	1.9	1.3	0.6
285	43.5	17.7	8.5	4.6	3.5	2.7	1.9	1.3	0.6
290	43.4	17.6	8.4	4.7	3.5	2.7	1.8	1.3	0.6
295	44.9	17.2	8.1	4.8	3.5	2.6	1.8	1.3	0.6
300	42.8	17.0	7.7	4.8	3.5	2.6	1.8	1.3	0.6
305	41.9	16.6	7.6	4.7	3.5	2.6	1.8	1.3	0.6
310	41.3	16.3	7.7	4.6	3.5	2.6	1.8	1.3	0.6
315	40.9	16.2	7.9	4.5	3.4	2.6	1.8	1.3	0.6
320	40.5	16.1	8.0	4.5	3.5	2.6	1.8	1.3	0.6
325	39.9	15.8	7.9	4.6	3.4	2.6	1.8	1.3	0.6
330	39.5	15.6	7.9	4.6	3.5	2.6	1.8	1.3	0.6
335	39.2	15.3	7.9	4.6	3.4	2.6	1.8	1.2	0.6
340	39.1	15.0	7.9	4.5	3.4	2.6	1.8	1.3	0.6
345	39.0	14.8	7.8	4.6	3.4	2.6	1.9	1.3	0.6

## RP Lighting • Fans

### Photometric Data Table [Unit:cd] 4426xx-15-3K

<b>350</b>	38.9	14.6	7.8	4.6	3.5	2.6	1.9	1.3	0.6
<b>355</b>	38.8	14.4	7.7	4.6	3.5	2.6	1.9	1.3	0.6
<b>360</b>	38.4	14.2	7.7	4.6	3.4	2.6	1.9	1.3	0.6

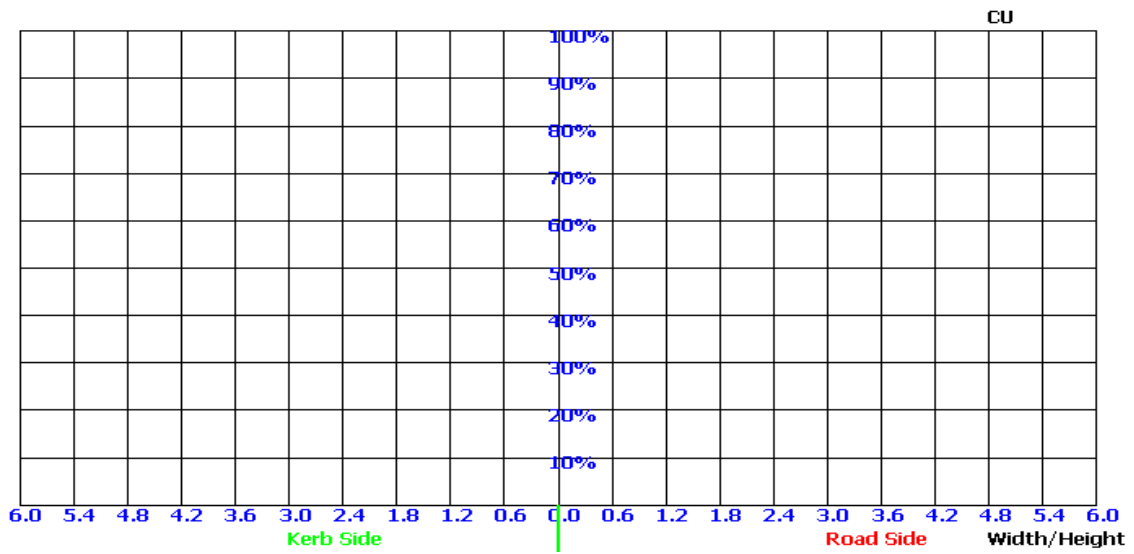
## RP Lighting • Fans Zonal

### Flux 4426xx-15-3K

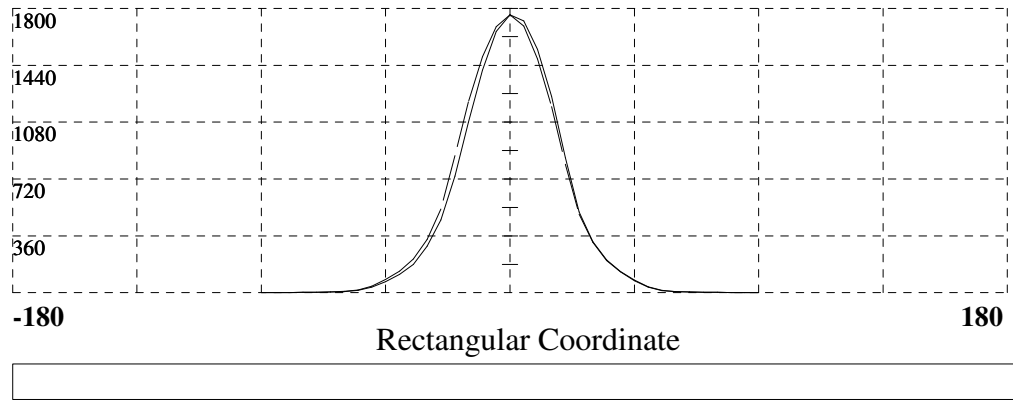
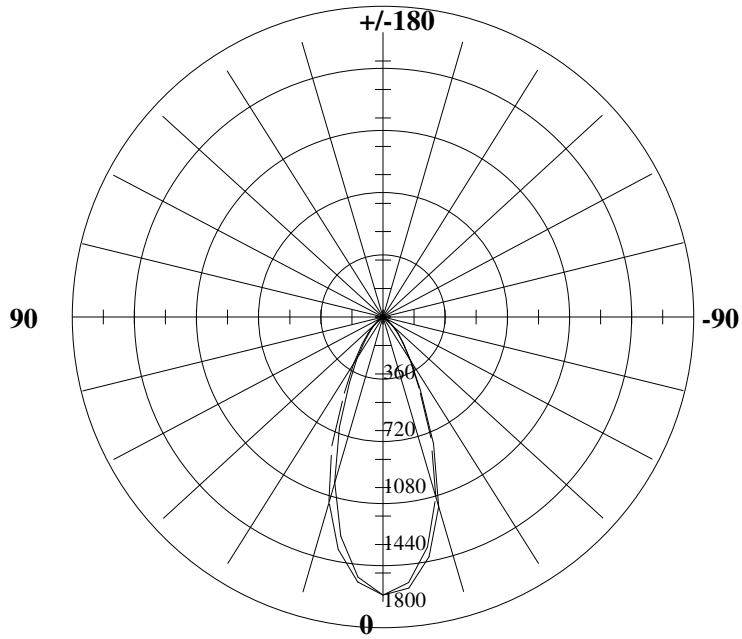
<b>Gamma [°]</b>	<b>I<sub>mean</sub> [cd]</b>	<b>Zonal Flux [lm]</b>	<b>Sum.Flux [lm]</b>	<b>Zonal Flux [%]</b>	<b>Sum.Flux [%]</b>
0	1759.52	0.00	0.00	0.00	0.00
5	1687.22	41.20	41.20	-4120.49	-4120.49
10	1480.41	113.32	154.52	-11331.63	-15452.12
15	1175.86	157.57	312.09	-15756.81	-31208.91
20	817.88	164.31	476.40	-16431.15	-47640.05
25	498.18	138.03	614.43	-13803.02	-61443.05
30	317.33	103.20	717.63	-10320.31	-71763.35
35	200.00	76.18	793.81	-7618.02	-79381.35
40	129.12	54.91	848.73	-5491.23	-84872.56
45	76.33	38.04	886.77	-3804.13	-88676.72
50	37.44	22.99	909.76	-2298.96	-90975.69
55	14.59	11.31	921.07	-1131.50	-92107.21
60	7.67	5.15	926.22	-514.71	-92621.94
65	4.52	2.96	929.18	-296.32	-92918.29
70	3.48	2.02	931.21	-202.39	-93120.73
75	2.64	1.60	932.80	-159.80	-93280.39
80	1.84	1.20	934.00	-119.87	-93400.10
85	1.26	0.84	934.85	-84.38	-93484.50
90	0.60	0.51	935.35	-50.95	-93535.39

# RP Lighting • Fans

## Coefficient Utilization Curve 4426xx-15-3K



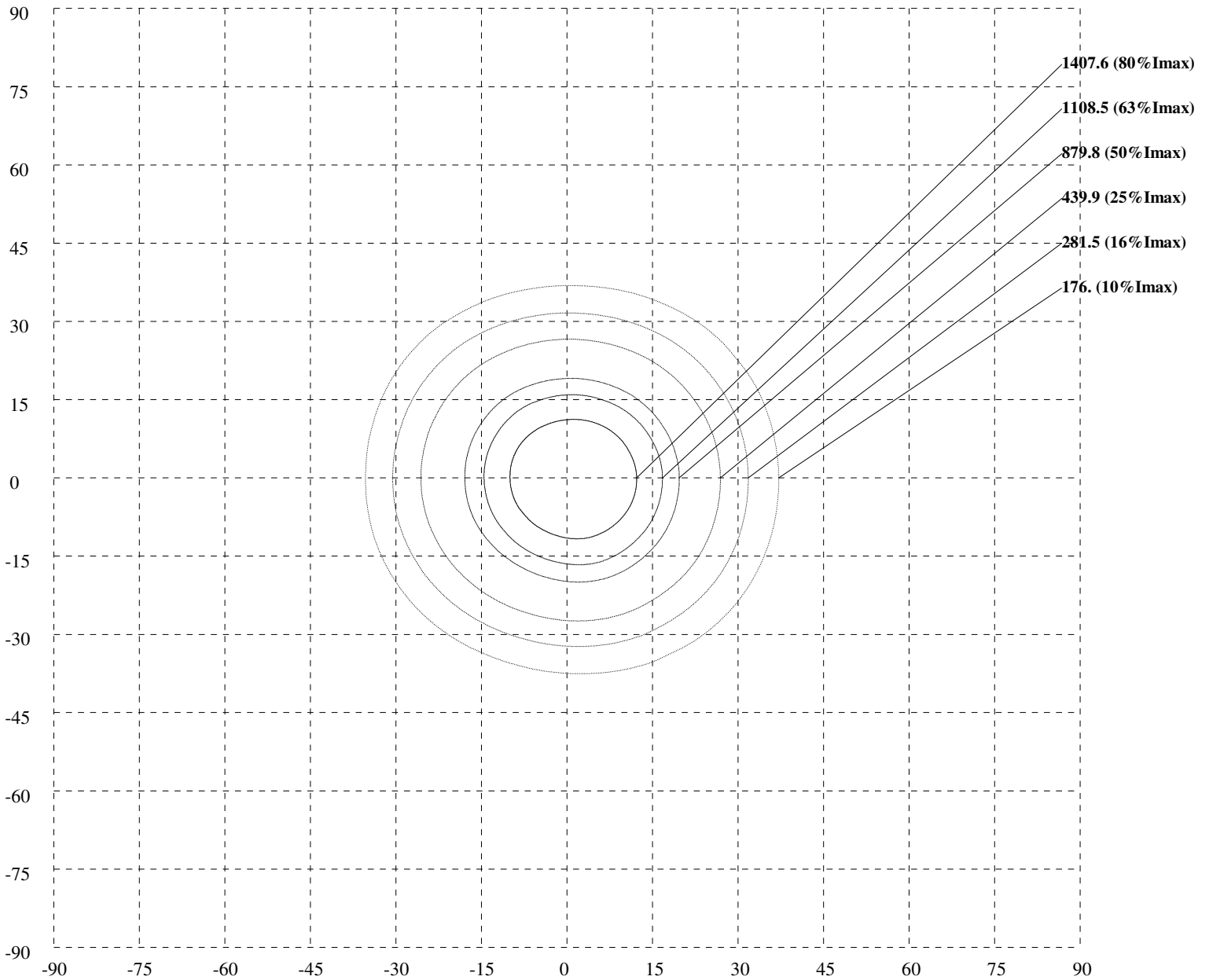
Light Distribution Curve[Unit: cd]





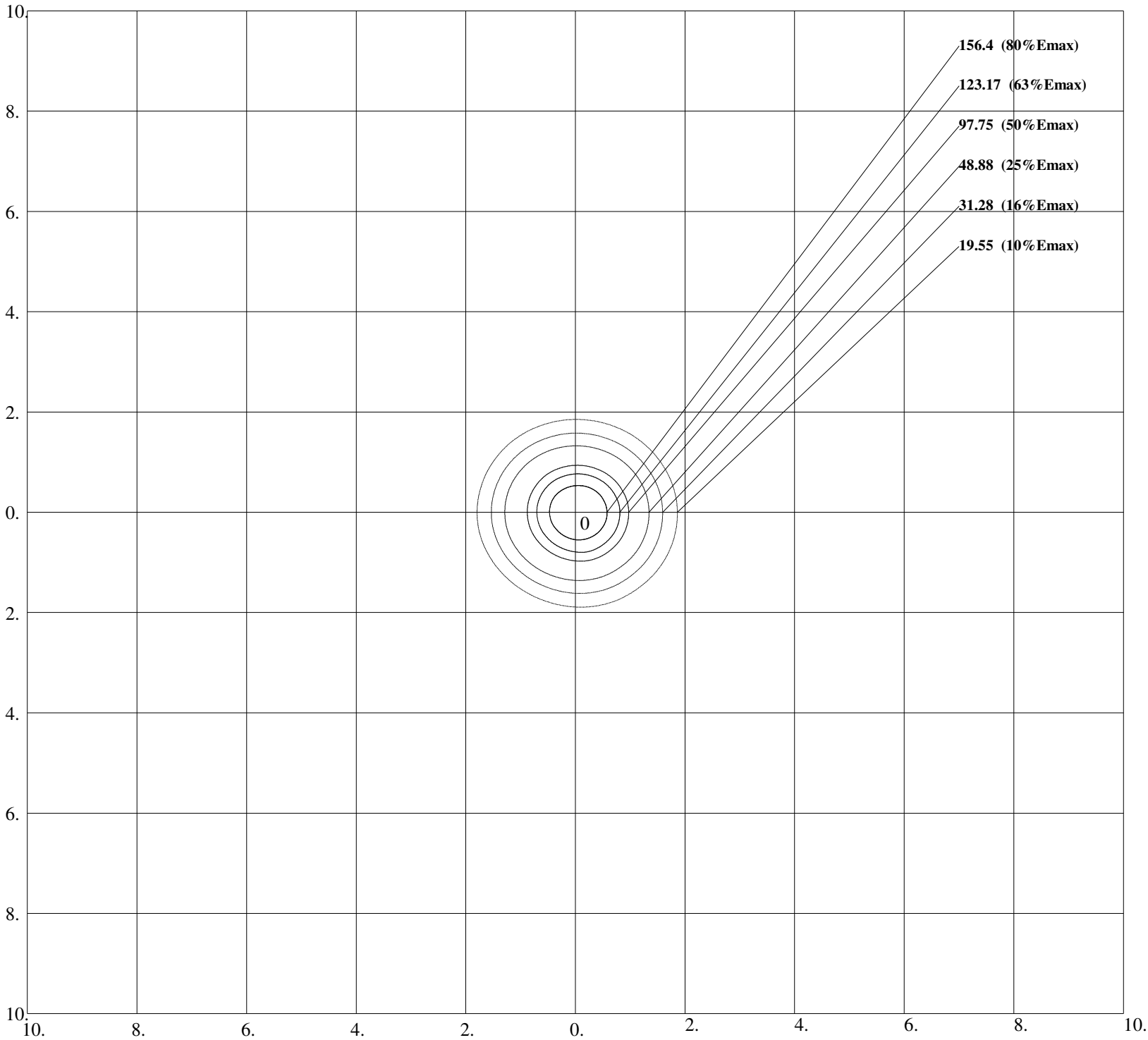
# RP Lighting • Fans

## ISO-Candela V-H [Unit :cd] 4426xx-15-3K



# RP Lighting • Fans

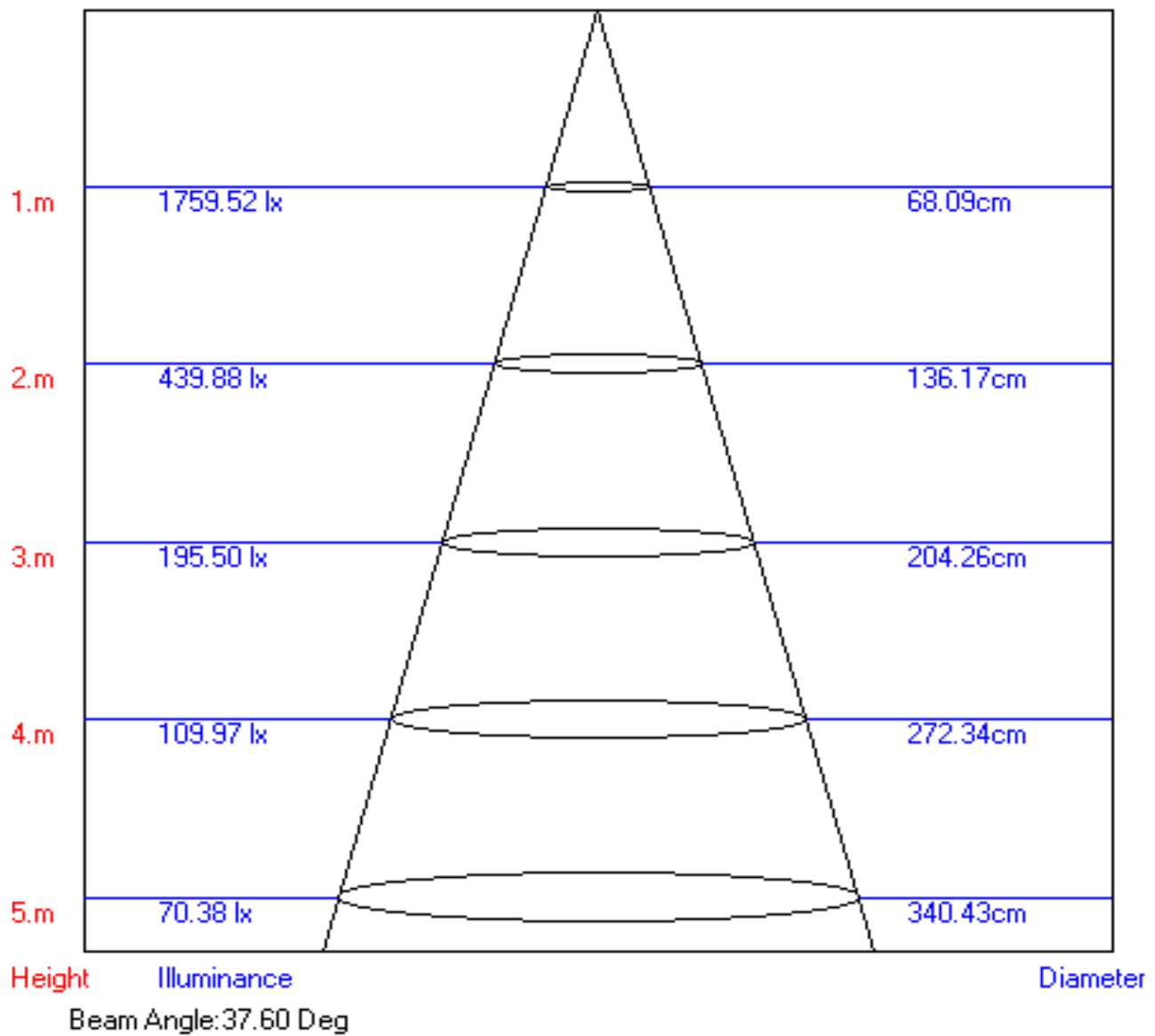
## Iso-Lux [Unit :lx] 4426xx-15-3K



Units: lx  
Height: 3 m  
Max Illuminance : 195.5lx

# RP Lighting • Fans

## Lux-Distance Curve

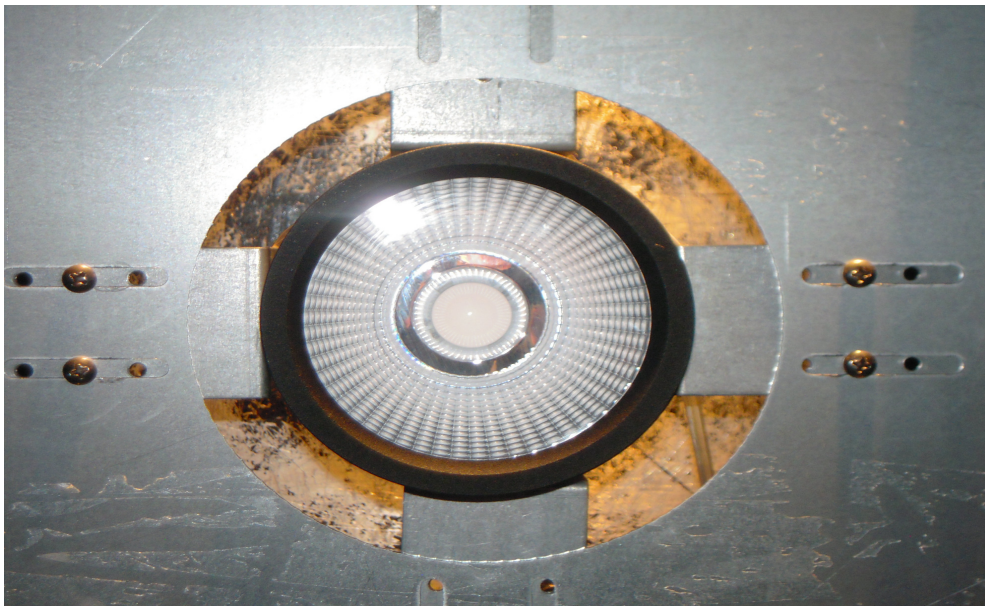


## Test Report of Luminaire

Report No.:

Luminaire Type	4426xx-20-3K		
Lamp Type	LED_Wallcylinder		
Client		EUT NO.	CCT: 2881Ra, CRI: 81.7
<b>Luminaire Parameters:</b>			
Voltage	120.0	Current	0.141
Power:	16.7	Power Factor	0.985
Frequency:	60Hz	Tc	3000K
<b>Photometric Parameters</b>			
Luminaire Flux	1179.16 lm	Luminaire Eff.	Data imperfect...!
Max Intensity	2204.139cd	Central Intensity	2204.139cd
Angle of Max Intensity:	C:0 G:0		
Upward Flux Ratio	0.0%		
Downward Flux Ratio	-117915.9%		
50%Imax Beam Width	C0_180[ 19.8 ,-18.1] C90_270[ 19.8 ,-19.2]		
Remark			

### Luminaire Figure



# RP Lighting • Fans

## Photometric Data Table [Unit:cd] 4426xx-20-3K

C\G	0	5	10	15	20	25	30	35	40	45
0	2204.1	2147.0	1922.0	1559.8	1086.2	653.2	414.2	265.7	175.2	99.9
5	2204.1	2149.3	1925.0	1563.2	1084.8	652.2	414.2	267.0	177.2	99.5
10	2204.1	2151.0	1929.3	1566.8	1086.2	651.9	414.9	267.4	176.6	99.8
15	2204.1	2154.0	1935.0	1569.8	1088.2	651.9	414.6	267.7	177.6	100.3
20	2204.1	2156.6	1938.7	1574.2	1088.8	650.6	413.9	267.4	177.6	100.3
25	2204.1	2159.0	1942.3	1576.2	1087.5	649.6	414.6	267.0	175.6	97.5
30	2204.1	2161.6	1944.3	1578.8	1088.5	649.2	414.2	267.4	173.2	96.3
35	2204.1	2163.3	1944.7	1579.5	1090.2	650.6	415.6	269.0	177.9	98.5
40	2204.1	2163.6	1943.0	1580.2	1091.8	651.2	417.2	270.4	179.9	98.4
45	2204.1	2164.0	1941.0	1580.5	1095.5	652.2	416.9	270.0	180.6	98.5
50	2204.1	2163.3	1941.0	1578.8	1097.2	652.9	417.2	270.0	180.6	99.3
55	2204.1	2163.0	1940.0	1578.5	1095.8	652.6	417.2	268.4	179.6	100.2
60	2204.1	2160.6	1939.0	1576.8	1093.8	652.6	417.6	268.4	179.6	100.2
65	2204.1	2159.3	1936.7	1575.5	1092.8	651.9	417.2	267.7	182.3	100.6
70	2204.1	2156.6	1932.3	1572.5	1092.8	652.2	417.2	267.4	181.9	100.1
75	2204.1	2152.3	1929.7	1570.5	1091.2	652.2	417.2	266.7	180.9	101.4
80	2204.1	2148.0	1926.0	1566.8	1089.2	651.9	416.9	266.0	178.9	99.3
85	2204.1	2144.3	1921.6	1562.8	1085.2	652.2	416.9	265.4	178.2	97.9
90	2204.1	2140.9	1916.6	1558.5	1081.8	649.2	416.2	264.4	177.6	97.2
95	2204.1	2136.6	1911.6	1550.8	1077.1	646.9	414.6	262.7	177.6	97.5
100	2204.1	2132.6	1904.0	1541.1	1071.1	642.2	411.6	260.0	176.9	98.0
105	2204.1	2127.9	1894.3	1530.4	1063.1	638.2	408.9	257.7	173.6	97.7
110	2204.1	2123.3	1883.9	1517.8	1054.8	633.2	405.9	255.0	151.2	97.9
115	2204.1	2118.2	1873.6	1504.4	1044.4	627.2	401.2	250.3	161.9	91.7
120	2204.1	2112.9	1862.6	1491.1	1034.1	622.9	397.9	248.0	159.8	90.1
125	2204.1	2107.6	1851.5	1476.7	1024.4	617.5	394.2	246.7	160.6	92.1
130	2204.1	2101.2	1840.2	1461.3	1013.7	613.8	390.5	243.7	159.1	91.3
135	2204.1	2096.2	1827.8	1445.3	1001.4	606.8	387.5	241.0	157.6	91.0
140	2204.1	2091.2	1816.2	1430.3	990.4	602.8	384.9	239.3	156.2	90.7
145	2204.1	2085.9	1807.5	1418.3	978.7	598.2	381.9	236.7	154.8	89.8
150	2204.1	2082.5	1798.1	1406.9	968.7	592.5	379.5	234.7	153.5	88.8
155	2204.1	2078.5	1790.8	1396.6	959.3	590.5	376.9	233.0	152.1	88.3
160	2204.1	2076.5	1783.5	1387.6	952.0	586.8	374.8	231.3	150.2	88.4
165	2204.1	2073.9	1778.1	1380.2	947.3	583.5	373.8	230.7	149.3	88.2
170	2204.1	2070.2	1774.1	1373.9	941.6	583.1	374.2	230.3	149.1	87.6
175	2204.1	2068.2	1769.4	1369.2	939.0	581.8	374.2	230.7	149.0	87.5
180	2204.1	2066.8	1765.8	1365.5	937.6	581.8	374.5	231.0	148.9	87.9
185	2204.1	2063.5	1761.1	1361.9	937.6	582.5	375.2	231.3	149.7	88.3
190	2204.1	2061.8	1758.1	1358.9	938.6	583.8	376.2	232.0	151.0	88.8
195	2204.1	2060.2	1756.1	1358.5	939.3	584.5	376.9	232.7	150.7	89.1
200	2204.1	2058.8	1755.4	1358.2	940.6	585.1	377.9	233.3	150.7	89.9
205	2204.1	2058.8	1755.1	1359.2	943.3	588.1	378.9	233.7	148.7	88.7
210	2204.1	2059.5	1755.1	1360.5	946.0	590.1	380.5	234.3	148.7	89.0
215	2204.1	2060.2	1756.8	1362.9	951.0	593.5	382.9	236.0	151.2	89.9
220	2204.1	2059.8	1760.1	1366.5	956.3	596.8	384.9	237.7	153.9	91.4
225	2204.1	2059.2	1764.4	1370.9	962.0	601.5	387.2	239.3	154.4	92.9
230	2204.1	2059.2	1770.8	1377.6	967.7	606.2	389.5	241.3	155.2	93.1
235	2204.1	2062.5	1775.4	1383.9	975.0	610.2	392.5	243.0	156.0	93.5

# RP Lighting • Fans

## Photometric Data Table [Unit:cd] 4426xx-20-3K

<b>240</b>	2204.1	2063.8	1780.1	1393.3	982.7	614.8	395.9	245.3	157.3	94.9
<b>245</b>	2204.1	2066.2	1784.8	1402.3	992.0	618.2	398.2	247.7	159.0	95.9
<b>250</b>	2204.1	2068.8	1792.1	1411.3	1000.0	622.9	402.2	250.3	161.3	96.8
<b>255</b>	2204.1	2070.9	1798.5	1420.0	1008.4	627.9	405.6	253.0	162.7	97.3
<b>260</b>	2204.1	2075.5	1805.8	1429.3	1017.4	633.9	407.9	255.4	163.9	98.3
<b>265</b>	2204.1	2079.2	1811.8	1437.3	1025.4	639.2	411.6	257.0	164.1	99.7
<b>270</b>	2204.1	2083.5	1817.8	1445.0	1033.4	642.9	414.2	259.0	165.0	100.1
<b>275</b>	2204.1	2087.2	1822.5	1453.0	1039.4	647.2	416.2	261.0	166.3	100.8
<b>280</b>	2204.1	2090.2	1828.5	1459.0	1045.1	649.2	416.9	262.4	167.0	102.4
<b>285</b>	2204.1	2093.9	1835.5	1466.7	1051.4	651.2	416.9	262.7	166.8	103.3
<b>290</b>	2204.1	2096.2	1841.9	1472.4	1054.5	652.6	416.6	263.4	166.8	103.1
<b>295</b>	2204.1	2098.6	1847.9	1480.7	1057.8	654.6	416.2	262.7	166.0	101.2
<b>300</b>	2204.1	2102.9	1854.9	1486.7	1059.8	654.9	417.2	262.7	166.0	99.3
<b>305</b>	2204.1	2105.9	1860.6	1494.1	1063.1	657.6	417.9	263.7	169.3	101.5
<b>310</b>	2204.1	2108.2	1867.9	1498.7	1064.8	658.9	417.6	264.0	168.5	102.4
<b>315</b>	2204.1	2112.9	1874.6	1505.7	1066.8	659.9	418.2	264.0	168.0	101.8
<b>320</b>	2204.1	2115.6	1880.6	1511.7	1069.8	660.9	417.9	264.7	168.5	101.7
<b>325</b>	2204.1	2118.2	1885.6	1518.4	1071.5	659.2	417.2	264.7	168.4	102.4
<b>330</b>	2204.1	2121.9	1890.9	1525.4	1072.1	657.6	416.9	264.0	167.9	102.6
<b>335</b>	2204.1	2126.3	1898.3	1531.1	1073.5	657.2	416.2	263.7	168.4	102.6
<b>340</b>	2204.1	2129.9	1903.0	1536.1	1074.8	654.9	415.2	264.0	169.2	101.8
<b>345</b>	2204.1	2133.9	1907.6	1541.1	1076.8	653.9	414.2	264.0	170.0	100.7
<b>350</b>	2204.1	2137.9	1910.6	1548.5	1080.8	653.9	414.2	265.0	170.8	100.2
<b>355</b>	2204.1	2140.9	1914.3	1553.5	1083.8	654.2	414.2	265.0	170.5	99.6
<b>360</b>	2204.1	2147.0	1922.0	1559.8	1086.2	653.2	414.2	265.7	175.2	99.9

C\G	50	55	60	65	70	75	80	85	90
<b>0</b>	48.8	18.0	9.5	5.7	4.2	3.1	2.2	1.5	0.6
<b>5</b>	48.6	17.8	9.4	5.7	4.2	3.1	2.2	1.5	0.6
<b>10</b>	48.4	17.6	9.4	5.7	4.2	3.1	2.2	1.5	0.6
<b>15</b>	47.9	17.1	9.3	5.7	4.2	3.2	2.2	1.5	0.6
<b>20</b>	47.4	16.7	9.0	5.7	4.2	3.2	2.3	1.5	0.6
<b>25</b>	47.2	16.6	8.7	5.6	4.2	3.2	2.2	1.5	0.6
<b>30</b>	46.9	16.5	8.6	5.6	4.2	3.2	2.2	1.5	0.6
<b>35</b>	46.3	16.1	8.7	5.6	4.2	3.1	2.2	1.5	0.6
<b>40</b>	46.2	16.1	8.9	5.6	4.2	3.2	2.2	1.5	0.6
<b>45</b>	46.1	16.3	9.0	5.6	4.2	3.2	2.2	1.5	0.6
<b>50</b>	45.8	16.2	9.0	5.6	4.2	3.2	2.2	1.5	0.6
<b>55</b>	45.7	16.0	9.0	5.6	4.2	3.1	2.2	1.4	0.6
<b>60</b>	45.8	16.0	9.0	5.6	4.1	3.1	2.2	1.4	0.6
<b>65</b>	45.9	16.1	9.1	5.6	4.2	3.2	2.2	1.5	0.6
<b>70</b>	46.1	16.1	9.2	5.6	4.2	3.2	2.2	1.4	0.6
<b>75</b>	46.2	16.1	9.2	5.6	4.2	3.2	2.2	1.4	0.6
<b>80</b>	46.2	16.2	9.3	5.6	4.2	3.2	2.2	1.5	0.6
<b>85</b>	46.2	16.2	9.3	5.6	4.2	3.2	2.2	1.4	0.6
<b>90</b>	46.0	16.1	9.3	5.6	4.2	3.2	2.2	1.4	0.6
<b>95</b>	45.8	16.1	9.3	5.5	4.2	3.2	2.2	1.4	0.6
<b>100</b>	45.5	16.2	9.4	5.5	4.2	3.2	2.2	1.4	0.6

## RP Lighting • Fans

### Photometric Data Table [Unit:cd] 4426xx-20-3K

105	45.2	16.0	9.3	5.5	4.2	3.1	2.2	1.4	0.6
110	44.7	15.8	9.0	5.5	4.2	3.1	2.2	1.4	0.6
115	44.0	15.9	8.8	5.6	4.2	3.2	2.2	1.4	0.6
120	43.7	15.9	8.8	5.6	4.3	3.2	2.2	1.4	0.6
125	43.4	15.8	8.9	5.6	4.3	3.2	2.2	1.4	0.6
130	43.5	16.1	9.4	5.6	4.3	3.2	2.2	1.4	0.6
135	43.6	16.6	9.5	5.6	4.2	3.2	2.2	1.4	0.6
140	43.5	16.8	9.5	5.6	4.2	3.2	2.1	1.4	0.6
145	43.5	16.9	9.5	5.5	4.2	3.2	2.1	1.4	0.6
150	43.7	17.1	9.5	5.5	4.2	3.2	2.1	1.4	0.6
155	43.9	17.3	9.5	5.5	4.2	3.2	2.1	1.4	0.6
160	44.3	17.5	9.5	5.5	4.2	3.1	2.1	1.4	0.6
165	44.6	17.7	9.6	5.5	4.2	3.1	2.1	1.3	0.6
170	44.9	18.0	9.6	5.5	4.2	3.1	2.1	1.4	0.6
175	45.2	18.3	9.7	5.5	4.2	3.1	2.1	1.4	0.6
180	45.5	18.5	9.8	5.5	4.2	3.1	2.1	1.4	0.6
185	45.8	18.6	9.8	5.5	4.2	3.2	2.1	1.3	0.6
190	46.3	18.9	9.7	5.6	4.2	3.2	2.1	1.4	0.6
195	46.5	18.7	9.6	5.5	4.2	3.2	2.1	1.4	0.6
200	46.4	18.5	9.2	5.6	4.2	3.2	2.2	1.4	0.6
205	46.3	18.6	8.8	5.6	4.2	3.2	2.2	1.4	0.6
210	46.4	18.9	8.7	5.6	4.2	3.2	2.2	1.4	0.6
215	46.6	18.9	9.0	5.6	4.3	3.2	2.2	1.4	0.6
220	47.1	19.5	9.6	5.6	4.3	3.2	2.2	1.4	0.6
225	47.8	20.3	9.9	5.6	4.3	3.2	2.2	1.4	0.6
230	48.1	20.6	10.0	5.6	4.3	3.2	2.2	1.4	0.6
235	48.6	20.8	10.1	5.6	4.4	3.2	2.2	1.4	0.6
240	49.1	20.9	10.1	5.7	4.3	3.3	2.2	1.5	0.6
245	49.7	21.2	10.2	5.7	4.4	3.3	2.2	1.5	0.6
250	50.4	21.5	10.4	5.7	4.4	3.3	2.2	1.5	0.6
255	50.9	21.7	10.5	5.7	4.4	3.3	2.2	1.5	0.6
260	51.4	21.8	10.6	5.7	4.4	3.3	2.2	1.5	0.6
265	51.7	21.9	10.6	5.7	4.4	3.3	2.2	1.5	0.6
270	52.1	22.0	10.6	5.7	4.4	3.3	2.2	1.5	0.6
275	52.3	22.1	10.6	5.7	4.4	3.3	2.2	1.5	0.6
280	52.5	22.1	10.6	5.6	4.4	3.3	2.2	1.4	0.6
285	52.3	21.9	10.4	5.8	4.3	3.2	2.2	1.4	0.6
290	53.1	21.5	9.9	5.9	4.3	3.2	2.2	1.4	0.6
295	51.7	21.2	9.5	5.9	4.3	3.2	2.2	1.4	0.6
300	51.2	20.9	9.5	5.7	4.3	3.2	2.2	1.4	0.6
305	50.8	20.5	9.6	5.6	4.3	3.2	2.1	1.5	0.6
310	50.5	20.4	9.8	5.6	4.2	3.1	2.2	1.4	0.6
315	50.2	20.4	9.9	5.6	4.2	3.1	2.1	1.4	0.6
320	49.7	20.1	10.0	5.6	4.2	3.2	2.1	1.4	0.6
325	49.3	19.8	9.9	5.6	4.2	3.1	2.1	1.4	0.6
330	49.2	19.4	9.9	5.6	4.2	3.1	2.2	1.4	0.6
335	49.2	19.1	9.8	5.7	4.2	3.2	2.2	1.5	0.6
340	49.1	18.9	9.8	5.6	4.2	3.2	2.2	1.5	0.6
345	49.1	18.6	9.7	5.7	4.2	3.2	2.2	1.5	0.6

## RP Lighting • Fans

### Photometric Data Table [Unit:cd] 4426xx-20-3K

<b>350</b>	49.1	18.4	9.7	5.7	4.3	3.2	2.2	1.5	0.6
<b>355</b>	48.9	18.3	9.6	5.7	4.2	3.2	2.2	1.5	0.6
<b>360</b>	48.8	18.0	9.5	5.7	4.2	3.1	2.2	1.5	0.6



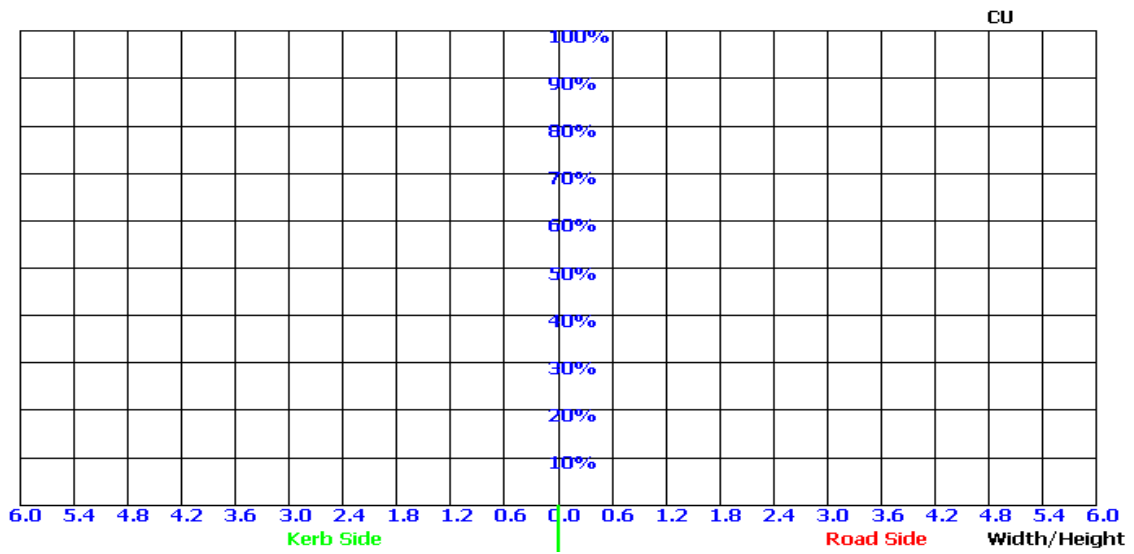
## RP Lighting • Fans

### Zonal Flux4426xx-20-3K

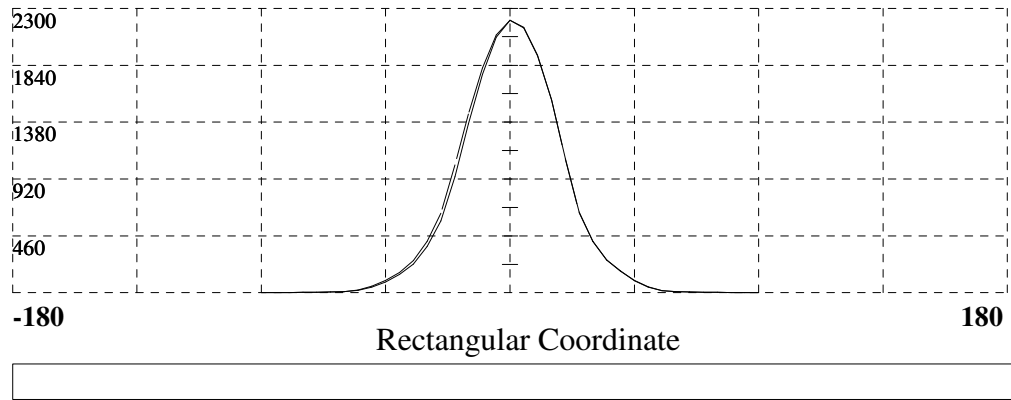
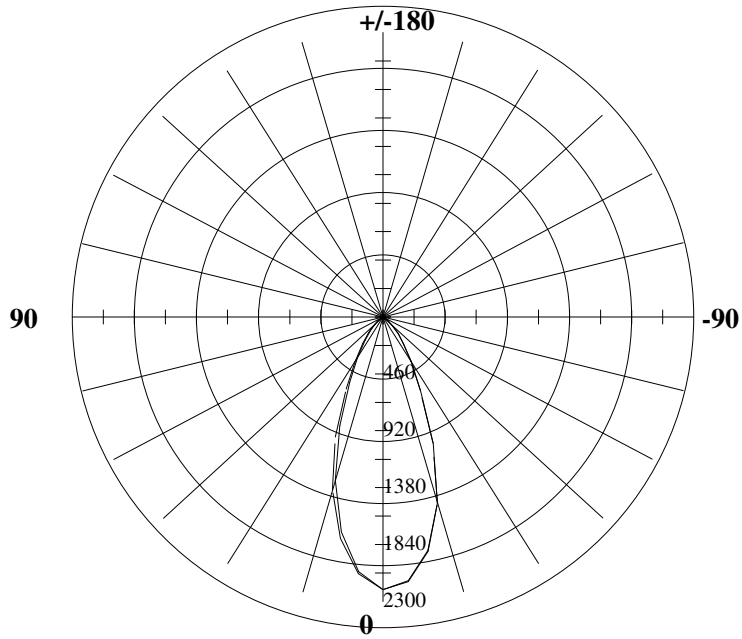
<b>Gamma [°]</b>	<b>I<sub>mean</sub> [cd]</b>	<b>Zonal Flux [lm]</b>	<b>Sum.Flux [lm]</b>	<b>Zonal Flux [%]</b>	<b>Sum.Flux [%]</b>
0	2204.14	0.00	0.00	0.00	0.00
5	2108.34	51.55	51.55	-5155.45	-5155.45
10	1853.69	141.73	193.29	-14173.43	-19328.88
15	1478.58	197.67	390.96	-19766.80	-39095.67
20	1032.35	206.94	597.89	-20693.55	-59789.21
25	630.42	174.39	772.29	-17439.35	-77228.56
30	403.18	130.80	903.09	-13080.34	-90308.91
35	254.03	96.78	999.87	-9677.95	-99986.86
40	165.20	69.95	1069.81	-6994.53	-106981.41
45	96.31	48.42	1118.24	-4842.00	-111823.46
50	47.43	29.05	1147.28	-2904.51	-114727.99
55	18.37	14.31	1161.59	-1430.71	-116158.69
60	9.56	6.45	1168.04	-645.45	-116804.15
65	5.62	3.69	1171.73	-368.96	-117173.13
70	4.25	2.50	1174.23	-249.96	-117423.08
75	3.19	1.95	1176.18	-194.59	-117617.58
80	2.19	1.44	1177.62	-143.89	-117761.60
85	1.44	0.99	1178.60	-98.60	-117860.16
90	0.59	0.56	1179.16	-55.70	-117915.72

# RP Lighting • Fans

## Coefficient Utilization Curve 4426xx-20-3K

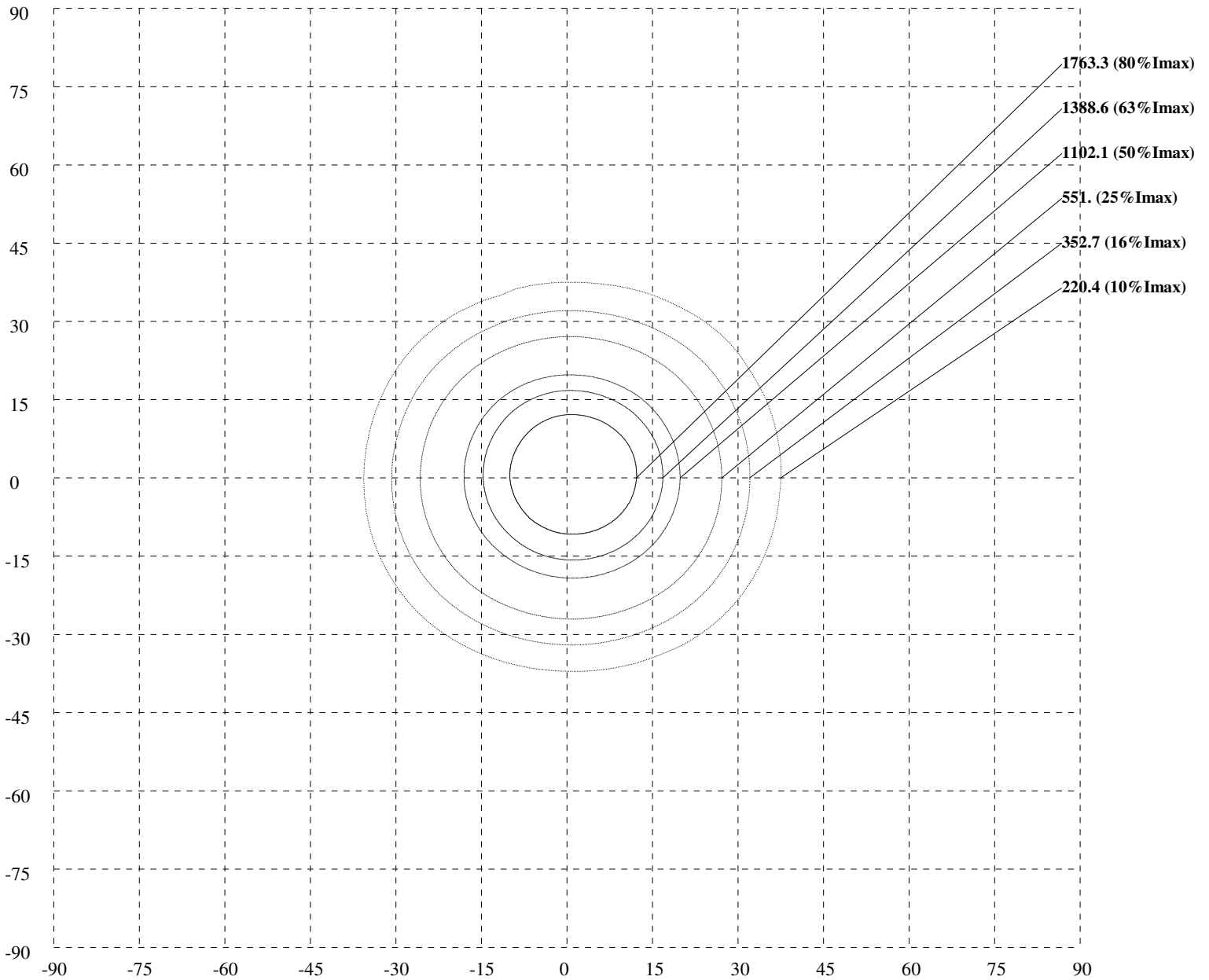


Light Distribution Curve[Unit: cd]



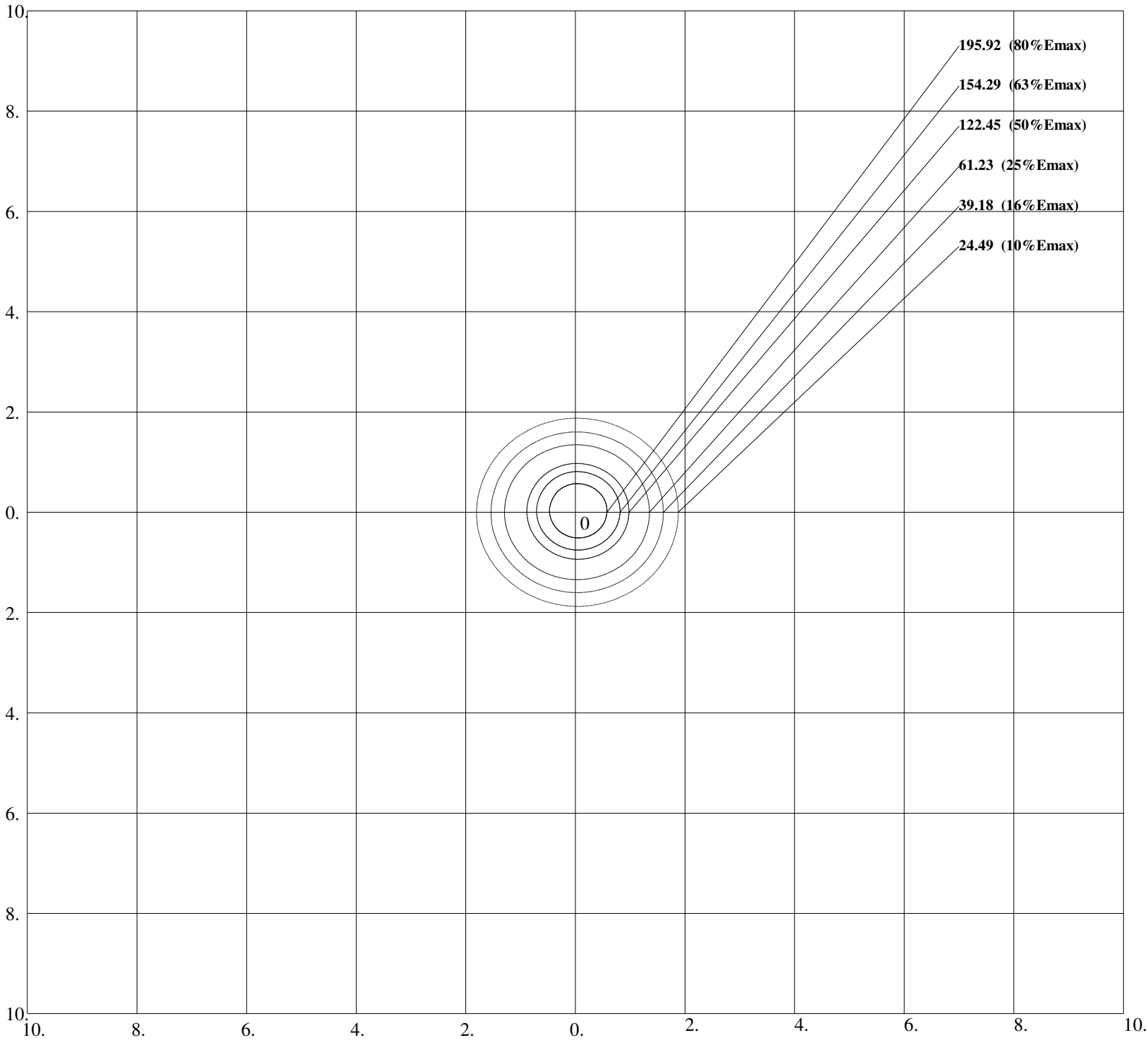
# RP Lighting • Fans

## ISO-Candela V-H [Unit :cd] 4426xx-20-3K



# RP Lighting • Fans

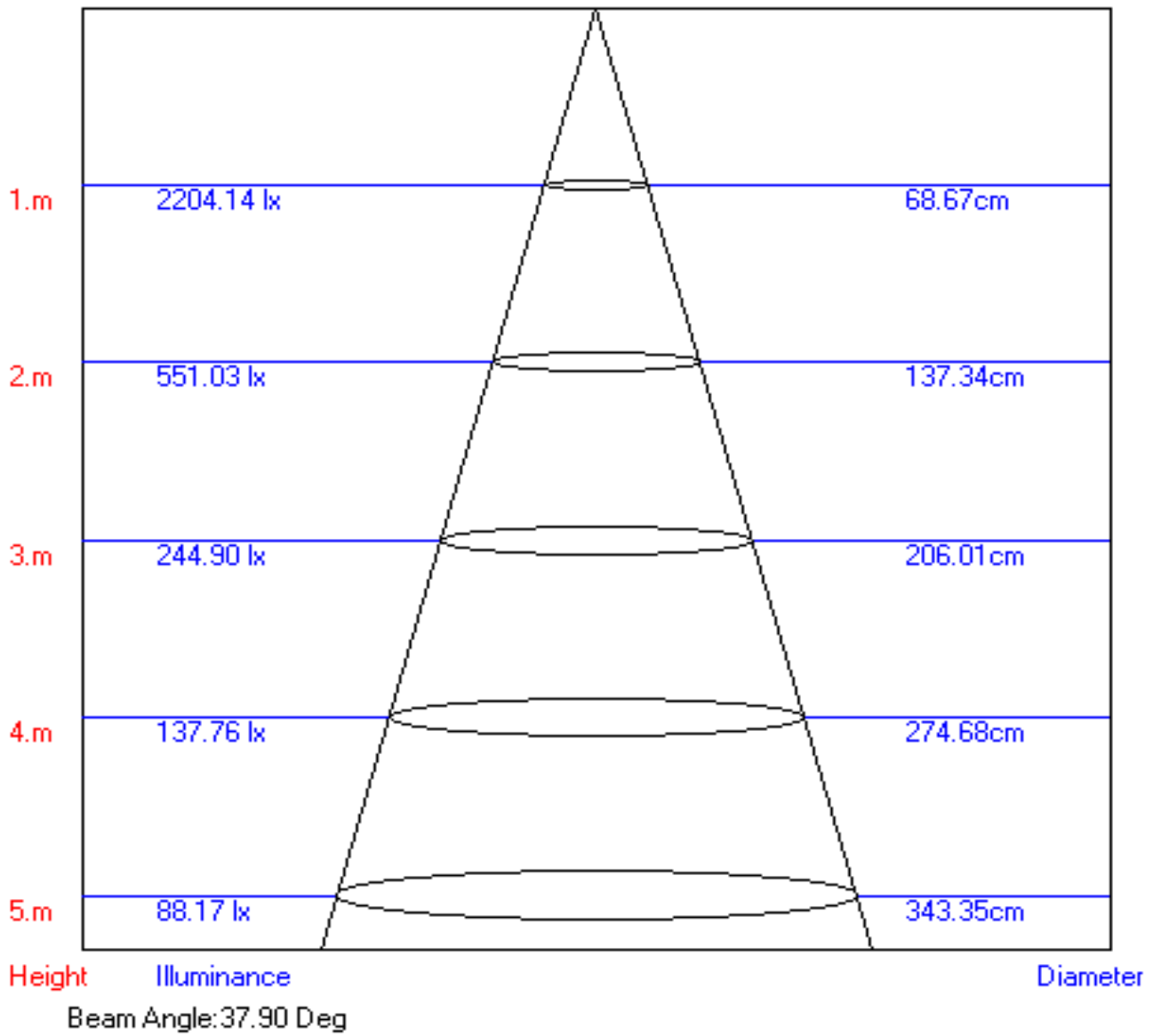
## Iso-Lux [Unit :lx] 4426xx-20-3K



Units: lx  
Height: 3 m  
Max Illuminance : 244.9lx

# RP Lighting • Fans

## Lux-Distance Curve

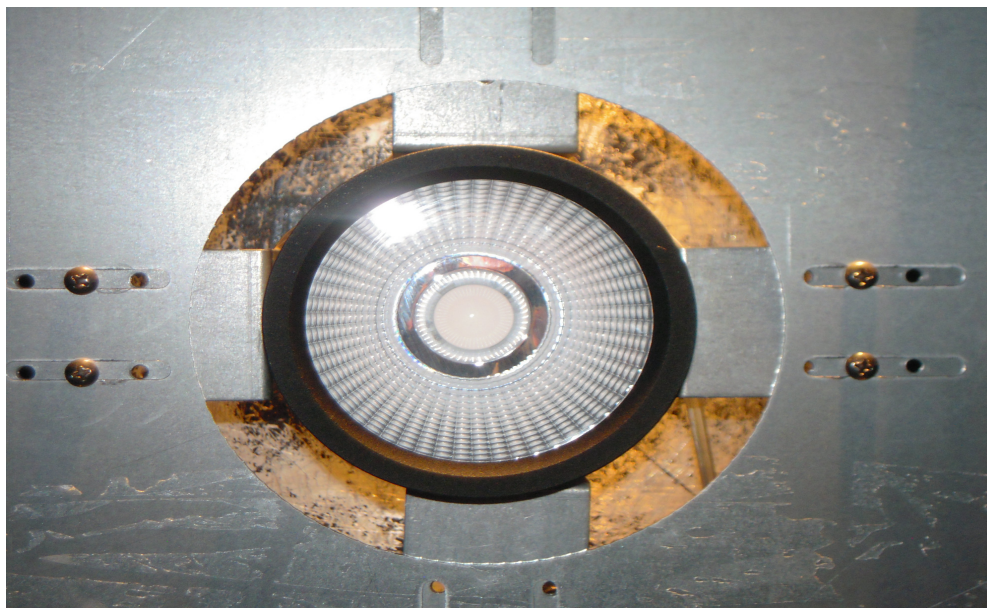


## Test Report of Luminaire

**Report No.:**

Luminaire Type	4426xx-30-3K		
Lamp Type	LED_Wallcylinder		
Client		EUT NO.	CCT: 2862K, CRI: 80.8Ra
<b>Luminaire Parameters:</b>			
Voltage	120.0	Current	0.229
Power:	27.0	Power Factor	0.983
Frequency:	60Hz	Tc	3000K
<b>Photometric Parameters</b>			
Luminaire Flux	1797.81 lm	Luminaire Eff.	Data imperfect...!
Max Intensity	3184.704cd	Central Intensity	3184.704cd
Angle of Max Intensity:	C:0 G:0		
Upward Flux Ratio	-0.01%		
Downward Flux Ratio	-179781.1%		
50%Imax Beam Width	C0_180[ 19.9 , -19.5] C90_270[ 19.9 , -20.0]		
Remark			

### Luminaire Figure



# RP Lighting • Fans

## Photometric Data Table [Unit:cd] 4426xx-30-3K

C\G	0	5	10	15	20	25	30	35	40	45
0	3184.7	3067.6	2697.7	2179.3	1576.2	1008.4	668.9	428.3	263.7	150.5
5	3184.7	3069.6	2701.4	2181.7	1572.5	1006.1	665.9	426.9	262.4	150.2
10	3184.7	3071.9	2703.1	2183.3	1571.2	1000.7	662.9	423.2	264.0	149.1
15	3184.7	3072.9	2706.4	2182.3	1568.5	996.7	661.2	419.9	262.7	148.1
20	3184.7	3074.6	2707.7	2184.0	1566.5	994.0	658.9	420.2	259.7	146.9
25	3184.7	3074.9	2710.4	2185.0	1569.8	993.7	658.9	421.9	258.7	146.1
30	3184.7	3074.9	2711.1	2185.3	1573.2	996.4	660.2	423.2	260.4	147.2
35	3184.7	3075.2	2713.1	2188.0	1573.8	995.4	661.9	422.9	263.4	147.3
40	3184.7	3075.6	2713.7	2191.7	1575.8	998.4	663.6	421.9	264.7	147.2
45	3184.7	3074.6	2716.4	2196.7	1581.2	1000.4	665.6	422.6	266.0	148.3
50	3184.7	3074.2	2716.1	2201.7	1586.2	1004.0	668.6	425.6	266.7	148.4
55	3184.7	3071.9	2718.1	2202.0	1589.2	1006.4	669.9	427.3	267.0	149.0
60	3184.7	3069.6	2716.7	2202.4	1587.5	1007.1	669.9	426.6	267.4	148.9
65	3184.7	3066.9	2713.7	2203.0	1585.2	1004.4	669.6	426.9	267.7	149.2
70	3184.7	3064.2	2711.4	2200.0	1582.2	1004.0	671.6	427.6	268.0	149.3
75	3184.7	3060.5	2707.1	2201.7	1583.5	1004.7	671.3	428.6	268.7	149.4
80	3184.7	3058.9	2702.4	2199.7	1582.5	1004.4	671.3	428.6	266.7	149.1
85	3184.7	3055.5	2696.4	2196.0	1582.5	1002.4	670.6	427.9	267.0	149.2
90	3184.7	3052.5	2690.7	2192.7	1575.2	997.4	666.9	425.6	267.4	148.0
95	3184.7	3048.9	2684.4	2186.0	1569.8	992.7	664.2	423.2	266.0	148.6
100	3184.7	3046.5	2679.7	2178.3	1563.8	987.0	659.9	419.9	262.7	147.6
105	3184.7	3044.2	2673.3	2169.3	1557.5	983.0	654.9	416.2	259.4	146.1
110	3184.7	3040.2	2666.0	2157.6	1549.8	977.7	649.9	411.9	256.4	143.0
115	3184.7	3038.2	2661.7	2147.3	1540.1	970.0	646.2	407.9	256.0	142.4
120	3184.7	3036.2	2654.7	2140.3	1531.8	964.0	640.9	404.2	254.4	142.4
125	3184.7	3035.8	2649.0	2132.9	1527.1	961.0	636.9	402.2	254.0	143.1
130	3184.7	3034.2	2643.3	2127.9	1521.8	957.0	634.2	401.9	253.3	142.6
135	3184.7	3032.5	2637.6	2120.6	1519.4	955.6	633.2	399.9	253.0	142.9
140	3184.7	3030.5	2636.3	2118.6	1516.4	953.6	631.9	399.2	253.0	143.3
145	3184.7	3029.2	2636.6	2114.9	1513.1	953.0	630.9	399.2	252.7	143.8
150	3184.7	3029.2	2636.3	2113.9	1510.7	953.6	631.5	399.9	252.7	143.9
155	3184.7	3027.5	2635.0	2111.6	1510.7	956.0	632.2	400.2	251.3	143.8
160	3184.7	3026.5	2635.6	2111.9	1515.8	957.7	634.5	402.2	252.3	144.6
165	3184.7	3026.5	2636.3	2114.6	1518.8	960.3	636.5	404.2	253.7	146.0
170	3184.7	3025.5	2638.6	2116.9	1520.1	961.0	638.2	406.9	256.0	146.9
175	3184.7	3024.5	2637.6	2119.9	1522.8	964.7	640.9	409.2	258.7	147.7
180	3184.7	3024.2	2639.6	2121.3	1528.1	967.7	642.9	410.9	258.7	148.9
185	3184.7	3024.2	2640.3	2120.9	1533.4	972.7	644.9	413.6	258.7	149.8
190	3184.7	3025.8	2640.0	2120.6	1535.8	976.7	646.6	415.2	259.4	150.8
195	3184.7	3025.5	2641.0	2123.3	1538.5	977.0	647.2	415.6	259.0	150.2
200	3184.7	3025.8	2645.6	2123.3	1540.8	978.7	648.9	416.6	259.0	149.3
205	3184.7	3026.8	2648.6	2125.9	1547.5	983.4	651.6	418.6	259.4	149.3
210	3184.7	3029.5	2652.0	2128.6	1554.1	988.7	654.6	422.6	260.0	151.5
215	3184.7	3029.2	2653.7	2131.9	1560.1	993.4	656.9	424.6	262.7	153.0
220	3184.7	3031.8	2655.0	2134.6	1562.8	996.7	659.9	425.9	265.4	153.0
225	3184.7	3034.8	2658.0	2134.3	1565.5	1001.7	661.9	427.9	266.0	153.9
230	3184.7	3034.8	2659.0	2136.3	1570.2	1007.7	666.6	431.3	266.0	155.5
235	3184.7	3032.2	2661.3	2140.3	1574.8	1012.4	669.9	434.9	266.4	155.9



# RP Lighting • Fans

## Photometric Data Table [Unit:cd] 4426xx-30-3K

240	3184.7	3033.2	2662.7	2143.3	1578.2	1016.7	672.3	436.9	268.0	156.7
245	3184.7	3032.2	2666.0	2148.0	1580.8	1016.7	676.3	438.6	269.0	157.1
250	3184.7	3031.5	2666.7	2152.6	1584.8	1020.4	678.3	441.3	269.7	158.2
255	3184.7	3031.8	2667.7	2156.0	1588.2	1026.4	682.6	444.6	270.4	158.8
260	3184.7	3033.2	2669.0	2158.6	1593.2	1031.1	683.9	447.6	270.4	159.1
265	3184.7	3034.5	2670.3	2159.0	1594.5	1035.1	686.3	448.3	270.4	159.2
270	3184.7	3035.8	2671.3	2161.6	1596.2	1035.4	688.6	448.0	270.0	159.4
275	3184.7	3036.5	2671.7	2162.3	1596.5	1035.4	687.6	448.0	270.0	159.3
280	3184.7	3036.2	2673.7	2163.3	1599.9	1037.1	687.9	450.0	269.4	159.9
285	3184.7	3037.8	2675.0	2165.3	1599.9	1038.4	687.3	452.0	269.4	158.9
290	3184.7	3038.9	2675.7	2167.7	1598.9	1039.4	687.3	450.6	267.7	157.4
295	3184.7	3039.2	2674.0	2167.3	1596.5	1040.1	685.9	446.9	267.7	156.7
300	3184.7	3039.9	2676.0	2166.6	1594.5	1040.8	684.3	443.9	267.4	156.9
305	3184.7	3039.9	2673.3	2164.3	1595.5	1040.8	683.6	443.9	268.0	156.1
310	3184.7	3040.2	2672.0	2165.6	1594.9	1042.8	682.3	442.6	266.7	155.3
315	3184.7	3041.5	2673.7	2166.3	1591.5	1040.1	682.3	440.6	266.0	154.7
320	3184.7	3043.2	2678.4	2167.0	1588.5	1034.8	679.6	436.9	265.7	155.1
325	3184.7	3045.9	2682.0	2170.0	1583.8	1030.8	679.3	434.3	265.7	155.2
330	3184.7	3045.9	2681.0	2171.7	1584.2	1026.7	677.6	434.3	265.7	154.6
335	3184.7	3048.9	2680.0	2174.7	1584.5	1025.7	676.6	433.9	265.4	154.0
340	3184.7	3049.9	2681.7	2173.3	1580.8	1023.7	674.9	433.3	265.0	153.7
345	3184.7	3050.2	2684.0	2173.7	1577.2	1018.1	673.6	430.3	265.0	153.1
350	3184.7	3051.2	2683.4	2172.3	1574.2	1015.1	673.3	427.3	265.7	151.3
355	3184.7	3051.9	2686.0	2172.0	1573.2	1009.7	670.6	426.9	265.0	150.7
360	3184.7	3067.6	2697.7	2179.3	1576.2	1008.4	668.9	428.3	263.7	150.5

C\G	50	55	60	65	70	75	80	85	90
0	74.3	28.3	14.7	8.7	6.5	4.7	3.2	2.0	0.6
5	73.8	28.0	14.5	8.6	6.5	4.8	3.2	2.1	0.6
10	72.9	27.1	14.4	8.7	6.5	4.8	3.3	2.1	0.6
15	71.8	26.4	13.9	8.7	6.5	4.8	3.3	2.1	0.6
20	71.2	26.3	13.5	8.7	6.5	4.8	3.3	2.1	0.6
25	70.5	26.0	13.4	8.7	6.5	4.8	3.3	2.1	0.6
30	69.9	25.5	13.6	8.6	6.5	4.8	3.2	2.1	0.6
35	69.8	25.5	14.1	8.6	6.5	4.8	3.2	2.0	0.6
40	69.7	25.7	14.2	8.6	6.4	4.8	3.2	2.0	0.6
45	69.5	25.6	14.2	8.5	6.4	4.7	3.2	2.0	0.6
50	69.4	25.3	14.1	8.5	6.4	4.7	3.2	2.0	0.6
55	69.6	25.1	14.1	8.5	6.4	4.7	3.2	2.0	0.6
60	69.8	25.1	14.3	8.5	6.4	4.7	3.2	2.0	0.6
65	70.2	25.0	14.4	8.5	6.4	4.7	3.2	2.0	0.6
70	70.2	25.0	14.3	8.4	6.4	4.7	3.2	1.9	0.6
75	70.3	25.0	14.5	8.4	6.4	4.7	3.1	1.9	0.6
80	70.4	24.9	14.4	8.5	6.4	4.7	3.2	2.0	0.6
85	70.2	24.7	14.3	8.5	6.4	4.7	3.2	2.0	0.6
90	69.9	24.6	14.4	8.5	6.4	4.7	3.1	1.9	0.6
95	69.5	24.6	14.4	8.3	6.3	4.6	3.1	1.9	0.6
100	69.2	24.2	14.2	8.3	6.3	4.7	3.1	1.9	0.6

## RP Lighting • Fans

### Photometric Data Table [Unit:cd] 4426xx-30-3K

105	68.5	23.9	13.6	8.4	6.3	4.7	3.1	1.9	0.6
110	67.6	24.0	13.4	8.4	6.4	4.7	3.2	1.9	0.6
115	66.9	23.8	13.4	8.5	6.4	4.7	3.1	2.0	0.6
120	66.9	23.6	13.6	8.5	6.4	4.7	3.2	2.0	0.6
125	67.2	24.2	14.1	8.5	6.4	4.7	3.2	2.0	0.6
130	67.4	24.9	14.3	8.5	6.4	4.7	3.2	1.9	0.6
135	67.5	25.0	14.3	8.4	6.4	4.7	3.1	1.9	0.6
140	67.9	25.1	14.3	8.3	6.3	4.7	3.1	1.9	0.6
145	68.6	25.3	14.3	8.3	6.3	4.7	3.0	1.9	0.6
150	69.5	25.5	14.2	8.3	6.3	4.7	3.1	1.9	0.6
155	70.4	25.8	14.3	8.3	6.3	4.6	3.1	1.9	0.6
160	71.1	26.0	14.4	8.3	6.3	4.6	3.1	1.9	0.6
165	71.7	26.4	14.4	8.4	6.3	4.6	3.0	1.9	0.6
170	72.4	26.8	14.4	8.4	6.3	4.6	3.0	1.8	0.6
175	73.2	27.0	14.6	8.4	6.3	4.6	3.0	1.9	0.6
180	73.9	27.3	14.5	8.4	6.3	4.6	3.0	1.8	0.6
185	74.7	27.6	14.4	8.5	6.3	4.6	3.0	1.9	0.6
190	75.0	27.2	14.3	8.5	6.4	4.7	3.1	1.9	0.6
195	75.0	26.8	13.7	8.5	6.4	4.7	3.1	1.9	0.6
200	74.9	27.1	13.4	8.5	6.3	4.7	3.1	2.0	0.6
205	75.1	27.5	13.1	8.5	6.4	4.7	3.2	1.9	0.6
210	75.3	27.6	13.7	8.5	6.4	4.7	3.1	1.9	0.6
215	75.9	28.5	14.3	8.5	6.4	4.7	3.1	1.9	0.6
220	76.6	29.5	14.6	8.5	6.4	4.7	3.1	1.9	0.6
225	77.1	30.0	14.7	8.6	6.5	4.7	3.1	1.9	0.6
230	77.7	30.4	14.9	8.6	6.5	4.7	3.2	2.0	0.6
235	78.6	30.8	15.1	8.6	6.6	4.8	3.2	2.0	0.6
240	79.3	31.4	15.4	8.6	6.6	4.8	3.2	2.0	0.6
245	80.2	31.9	15.7	8.7	6.6	4.9	3.2	2.0	0.6
250	80.7	32.3	15.8	8.7	6.6	4.8	3.2	2.0	0.6
255	81.4	32.6	16.0	8.7	6.6	4.9	3.2	2.0	0.6
260	81.6	32.8	16.1	8.7	6.6	4.9	3.2	2.0	0.6
265	81.8	33.1	16.0	8.6	6.6	4.9	3.2	2.0	0.6
270	81.9	33.3	16.0	8.6	6.5	4.8	3.1	2.0	0.6
275	81.8	33.4	16.1	8.6	6.5	4.8	3.1	1.9	0.6
280	81.2	33.0	15.8	8.8	6.5	4.7	3.1	1.9	0.6
285	81.4	32.6	15.1	9.0	6.5	4.7	3.1	1.9	0.6
290	79.8	32.4	14.6	8.9	6.5	4.7	3.1	1.9	0.6
295	78.6	31.8	14.7	8.6	6.4	4.7	3.1	2.0	0.6
300	78.0	31.2	14.8	8.5	6.4	4.7	3.1	2.0	0.6
305	77.6	31.4	15.3	8.5	6.4	4.6	3.1	1.9	0.6
310	77.3	31.7	15.5	8.6	6.4	4.7	3.1	1.9	0.6
315	76.5	31.2	15.5	8.6	6.4	4.7	3.1	2.0	0.6
320	75.8	30.8	15.4	8.6	6.4	4.7	3.1	2.0	0.6
325	75.8	30.4	15.4	8.6	6.4	4.7	3.1	2.0	0.6
330	75.8	30.0	15.4	8.6	6.4	4.8	3.2	2.0	0.6
335	75.8	29.7	15.3	8.6	6.5	4.8	3.2	2.1	0.6
340	75.9	29.5	15.3	8.7	6.5	4.8	3.3	2.1	0.6
345	75.6	29.2	15.2	8.7	6.6	4.8	3.3	2.1	0.6

## RP Lighting • Fans

### Photometric Data Table [Unit:cd] 4426xx-30-3K

<b>350</b>	75.2	28.9	15.0	8.7	6.6	4.8	3.3	2.1	0.6
<b>355</b>	74.9	28.6	14.9	8.7	6.5	4.8	3.2	2.0	0.6
<b>360</b>	74.3	28.3	14.7	8.7	6.5	4.7	3.2	2.0	0.6

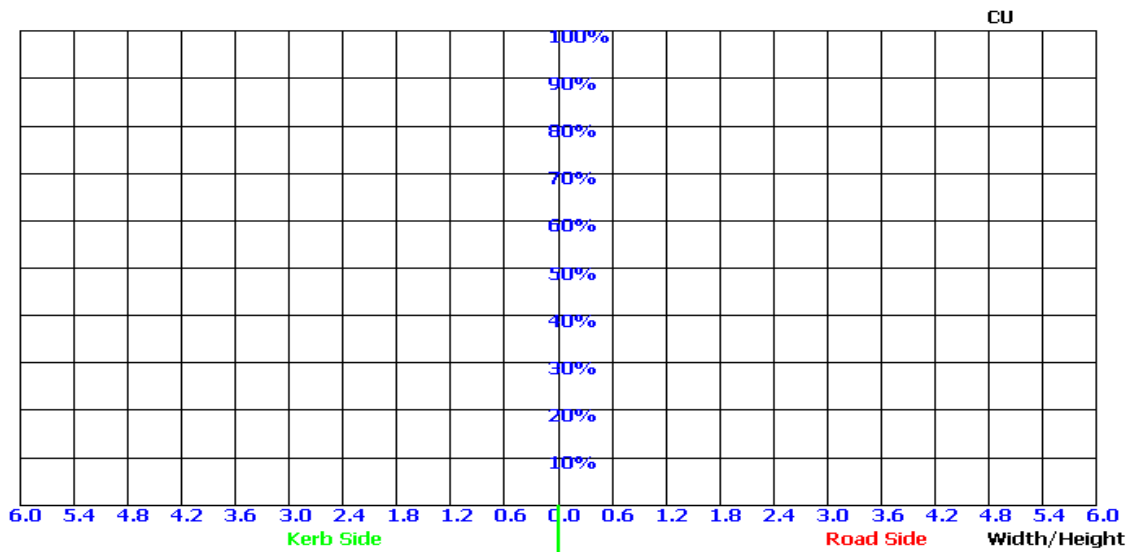
## RP Lighting • Fans

### Zonal Flux4426xx-30-3K

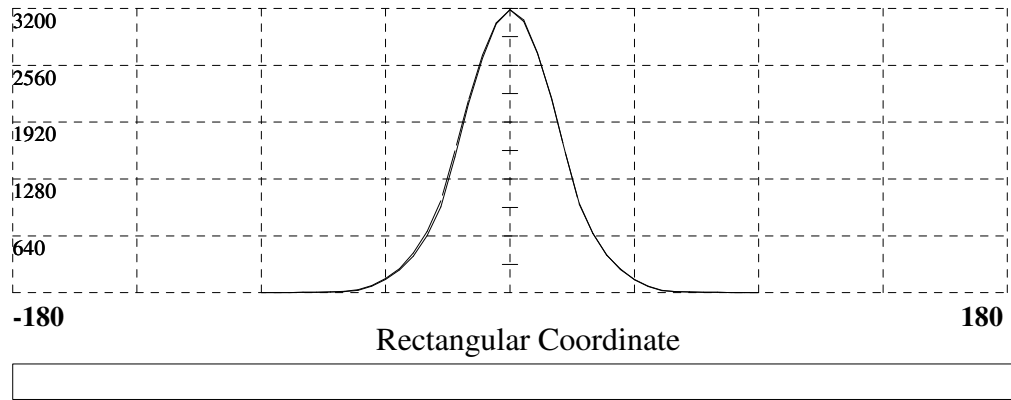
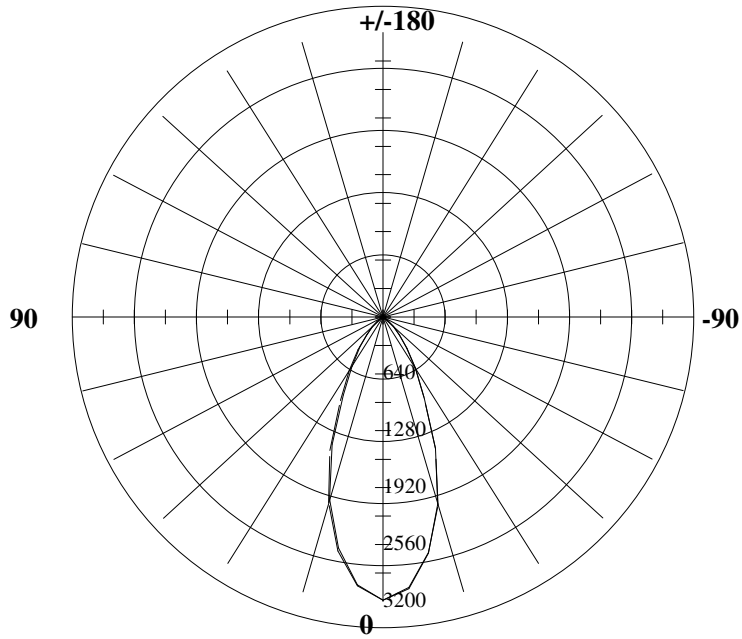
<b>Gamma [°]</b>	<b>I<sub>mean</sub> [cd]</b>	<b>Zonal Flux [lm]</b>	<b>Sum.Flux [lm]</b>	<b>Zonal Flux [%]</b>	<b>Sum.Flux [%]</b>
0	3184.70	0.00	0.00	0.00	0.00
5	3044.39	74.47	74.47	-7446.71	-7446.71
10	2673.40	204.54	279.01	-20454.34	-27901.04
15	2158.65	286.63	565.64	-28663.43	-56564.47
20	1565.75	306.94	872.59	-30694.34	-87258.82
25	1000.15	269.12	1141.70	-26911.60	-114170.41
30	663.18	210.50	1352.20	-21049.54	-135220.00
35	425.32	160.29	1512.49	-16028.84	-151248.80
40	263.08	114.85	1627.34	-11485.46	-162734.28
45	150.73	76.62	1703.96	-7662.16	-170396.45
50	73.79	45.37	1749.33	-4536.75	-174933.26
55	27.91	22.11	1771.44	-2211.16	-177144.42
60	14.58	9.82	1781.27	-982.06	-178126.54
65	8.55	5.62	1786.89	-562.35	-178688.93
70	6.43	3.79	1790.68	-379.45	-179068.41
75	4.73	2.92	1793.61	-291.91	-179360.49
80	3.16	2.11	1795.72	-211.21	-179571.62
85	1.97	1.39	1797.11	-139.34	-179710.94
90	0.60	0.70	1797.81	-70.32	-179781.35

# RP Lighting • Fans

## Coefficient Utilization Curve 4426xx-30-3K

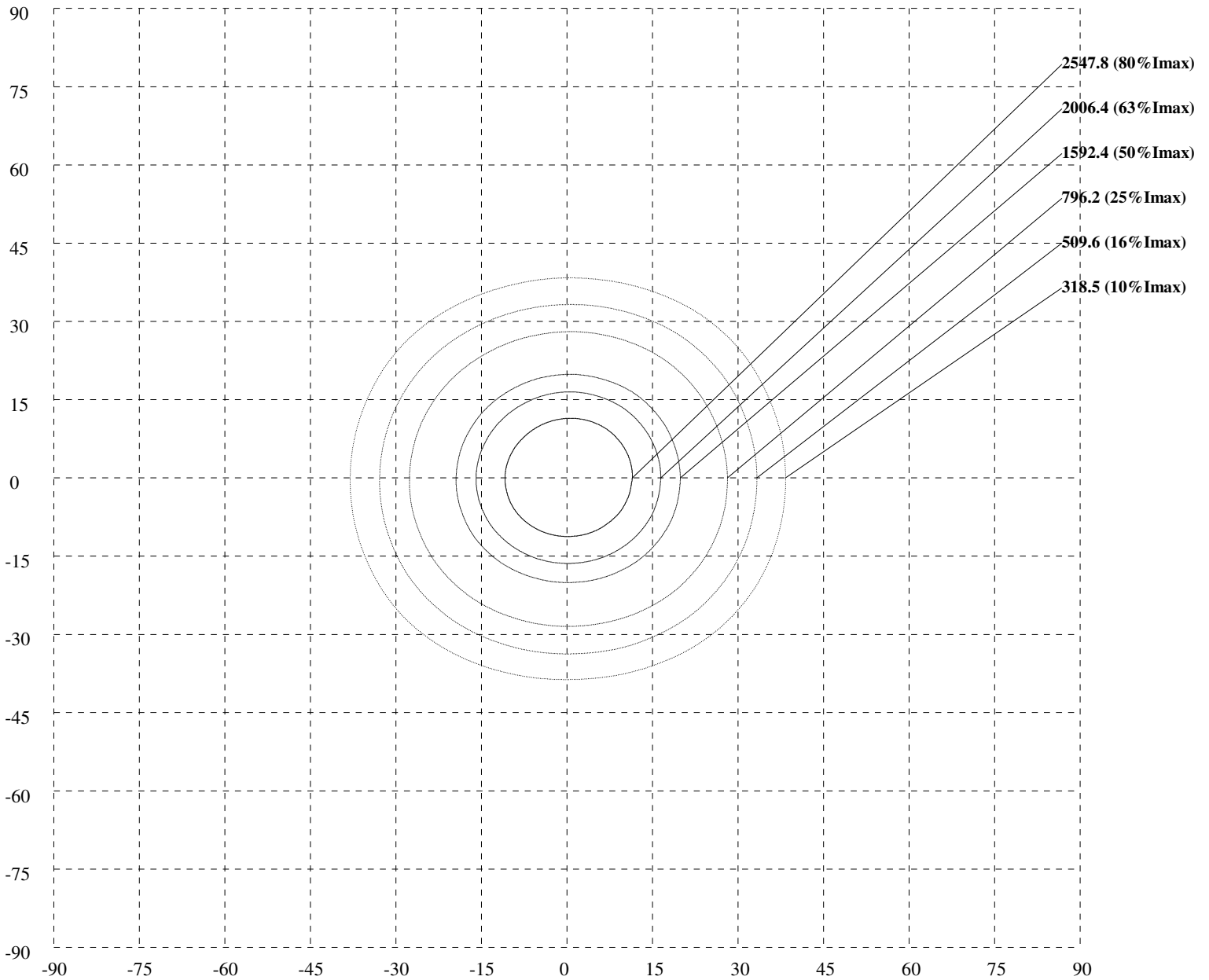


Light Distribution Curve[Unit: cd]



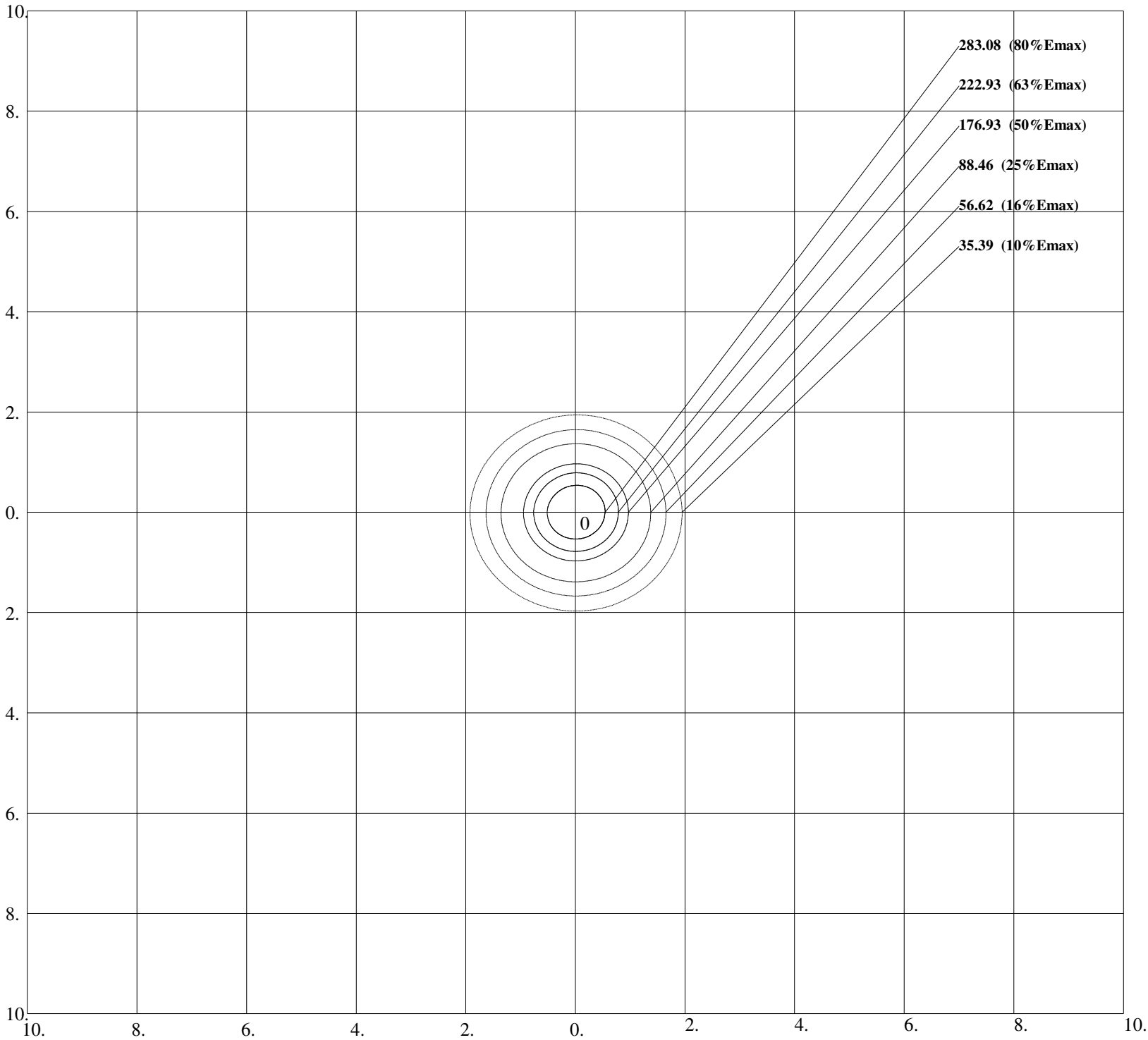
# RP Lighting • Fans

## ISO-Candela V-H [Unit :cd] 4426xx-30-3K



# RP Lighting • Fans

## Iso-Lux [Unit :lx] 4426xx-30-3K



Units: lx  
Height: 3 m  
Max Illuminance : 353.86lx



# RP Lighting • Fans

## Lux-Distance Curve

