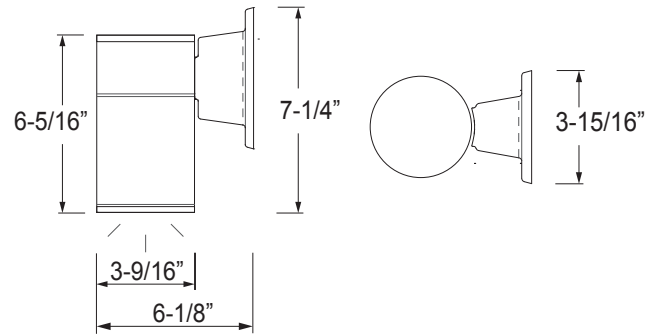


4423  
120V

Catalog #:		Type
Project:		Date
Prepared by:		

## 3" LED Architectural Cylinder Downlight



3" LED Cylinder Downlight

### DESCRIPTION

The Outdoor LED Cylinder Family features wet location rated wall mount style cylinders with down light and up & down light options. Choose from energy efficient 13W or 17W AC modules, with finishes available in white, black, brushed nickel, or oil-rubbed bronze. Features Triac dimming down to 5%, using most standard dimmers. Utilizes AC circuit on board technology for cooler operating temperature and extended lifetime.

### DESIGN FEATURES

#### Construction

- Aluminum die-cast with powder coat finish

#### Electrical

- 120V Direct AC operation with DOB
- Triac dimming down to 5%
- Various wattages of modules available
- Cooler operating temperature without driver
- Stable driving current prevents inrush damage to circuit switches and modules
- Operating temperature: -31°F (-35°C) to 122°F (50°C)
- Available in 80CRI, 3000K & 4000K

#### Installation

- Easy surface mounting for simple installation using anchors and screws
- J-box mountable

#### Lens

- Clear acrylic lens protects LEDs while allowing for optimum lumen output
- 37° Beam angle

#### Finish

- Available in black, brushed aluminum and oil-rubbed bronze

#### Certifications

- cCSAus for wet location
- 5 year limited warranty
- Wet location rated



TEL: 800.937.6925 | Fax: 800.207.9509 | [www.rplighting.com](http://www.rplighting.com)

Specifications and dimensions subject to change without notice.

# 4423

120V

## Specification & Ordering

Model #	Dimensions (H x W x D)	Watt	Lumens (delivered)	Lumens (source)	Color Temp
4423	7-1/4" x 3-9/16" x 6-1/8"	13W	845lm	1280lm	3K 3000K
		17W	1105lm	1710lm	4K 4000K

## ORDERING

Example: 4423BK-20-3K

Model #	Finish	Watts	CCT
4423			
4423	<b>BK</b> : Black <b>BA</b> : Brushed Aluminum <b>OB</b> : Oil-rubbed Bronze	<b>-13</b> : 13W <b>-17</b> : 17W	<b>-3K</b> : 3000 K <b>-4K</b> : 4000 K

3" LED Cylinder Downlight