

# INSTALLATION INSTRUCTION

## LED SQUARE CEILING MOUNT

Model: 4328 4329 4330

120V 60Hz input, Dimmable

www.rplighting.com

### READ AND FOLLOW SAFETY INFORMATION

- ⚠ WARNING** – Turn off the main power at the circuit breaker before installing and servicing the fixture to prevent possible injury from electric shock.
- All electrical connections must be in accordance with local and National Electrical Code (N.E.C.) standards. If you are unfamiliar with proper electrical wiring connections, obtain the services of a qualified electrician.

### ASSEMBLY & INSTALLATION ( see FIG.1)

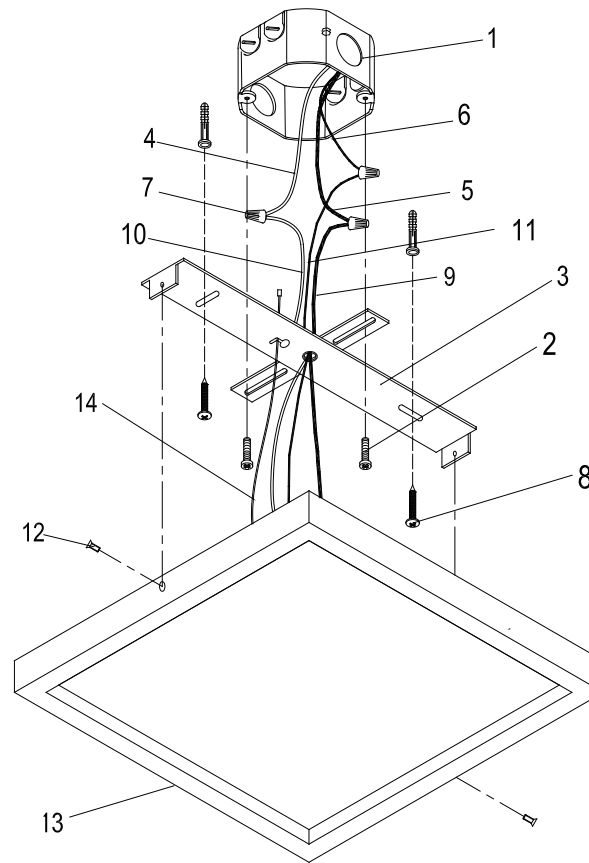
Remove the fixture and the mounting package from the box and make sure that no parts are missing by referencing the illustrations on the installation instructions.

1. Place the Mounting Wall Plate (3) over the Outlet box (1), align the mounting slots of the Mounting Wall Plate (3) with holes of the Outlet box (1) as shown. Use a level to ensure the Mounting Wall Plate (3) is straight.
2. Mark the keyhole slots of the Mounting Wall Plate (3) on the wall. Drill ¼" holes at the narrow end of each keyhole slot marking on the wall. Carefully hammer wall anchors into each drilled hole.
3. Replace the Mounting Wall Plate (3) over Outlet Box (1), align the narrow end of each keyhole slot with its wall anchor. Feed the Anchor Screws (8) through keyhole slots and thread them into the wall anchors until Mounting Wall Plate (3) is against the wall. Additionally, fasten the Mounting Wall Plate (3) to thread holes in Outlet box (1) using two Outlet Box Screws (2), as shown.
4. Pull the Supply Wires (4 &5) and House Ground Wire (6) out from the Outlet Box (1) before attaching Mounting Wall Plate (3) to Outlet box (1). See Fig. 2 to make electrical connections by using Wire Nuts (7). Wrap all wire connections with electrical tape to ensure securely.
5. Place the Fixture Base (13) over the Mounting Wall Plate (3) and secure it by using Fixture screws (12).
6. Installation complete, restore power at the circuit breaker and turn on to activate the fixture.

#### NOTE

- Replacement: This LED fixture has no bulbs to be replaced.
- Care & Maintenance: Use a clean, soft cloth to wipe the surface of the fixture. DO NOT use any cleaners with chemicals, solvents or harsh abrasives.

FIG. 1

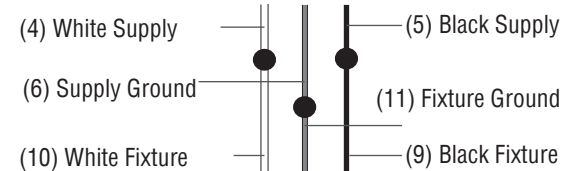


1. OUTLET BOX (not included)
2. OUTLET BOX SCREWS \* 2PCS
3. MOUNTING WALL PLATE
4. WHITE SUPPLY WIRE
5. BLACK SUPPLY WIRE
6. HOUSE GROUND WIRE
7. WIRE NUTS \* 3PCS
8. ANCHOR SCREWS \* 2PCS
9. BLACK FIXTURE WIRE
10. WHITE FIXTURE WIRE
11. FIXTURE GROUND WIRE
12. FIXTURE SCREWS \* 2PCS
13. FIXTURE BASE
14. SAFETY CABLE

• **Dimming:** This product is compatible with most common residential type dimmers, dimming performance depends on dimmers.

- **Recommended Dimmers:**
- Lutron MACL-153M, DVL-153P, SCL-153P,
  - Leviton IPL06-10Z, 6674-POW

### WIRE CONNECTION FIG. 2



### WARNING

To avoid possible fire or electrical shock, make certain no bare wire strands are exposed outside wire connectors.