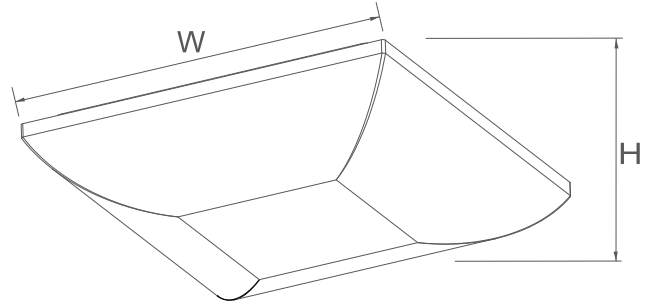


4320, 4322

120V

Catalog #:		Type
Project:		Date
Prepared by:		

11" / 14" Square Dome Ceiling Mount



DESCRIPTION

The simple design and wide lens of this ceiling mount dome light is great for any application requiring high-angle light. The different sizes and light output allows for illumination in small, medium, and larger spaces.

DESIGN FEATURES

Construction

- Durable steel frame
- Frosted acrylic diffuser

Electrical

- 120V-60Hz
- Dimmable TRIAC or ELV, 10-100%
- 50,000 hour projected life
- 4320: 15W | 1394 lms (source) | 1118 lms (delivered)
- 4322: 23W | 2095 lms (source) | 1607 lms (delivered)
- 3000K | 80 CRI

Dimensions

- 4320: 10-11/16" W x 2-7/8" H
- 4322: 14-1/2" W x 3-1/8" H

Certifications

- Energy Star listed
- CSAus listed for damp location
- LED Lamp: 5 Year Limited Warranty
- Other Components: 1 Year Limited Warranty

ORDERING GUIDE

Example: 4320WH

Model	Finish
4320 4322	WH : White

Limited quantities - contact factory for availability

