

# INSTALLATION INSTRUCTION

## STEP 1.

Turn off the fixture plate. Punch out one off the 3 knockout (1, 2, or 3) by using a screwdriver for wiring based on the installation position.

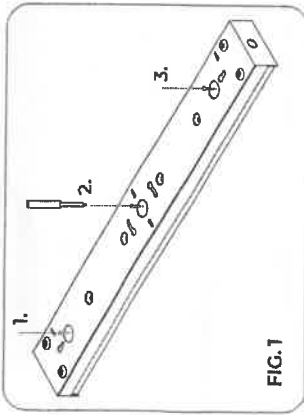


FIG. 1

## STEP 2.

Mark two keyhole mounting positions of the fixture plate on the ceiling. Drill hole in the ceiling for each of the two mounting holes.

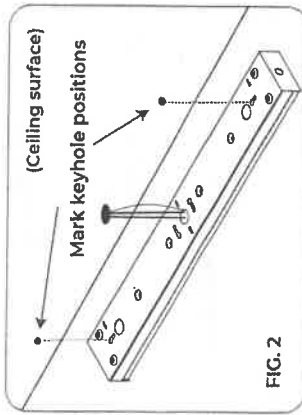


FIG. 2

## STEP 3.

Install a plastic drywall anchor and mounting screw in each drilled mounting hole.

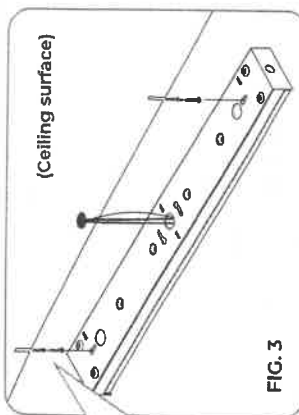


FIG. 3

## STEP 4.

Align two mounting keyholes on the fixture plate with 2 mounting screws in the ceiling. Once both screw head are through the large ends of the keyholes, slide the fixture plate to the right until the heads of the screws slide into narrow ends of the keyholes. To tighten the mounting screws by using screwdriver.

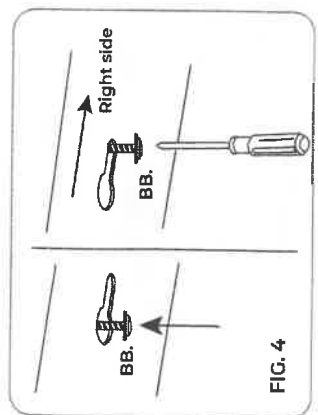


FIG. 4

## STEP 5.

As a safety support, hang the fixture lens on fixture plate with safety cables will prevent it from falling.

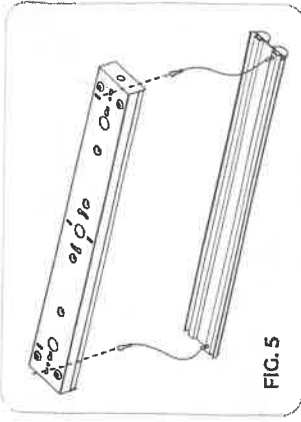


FIG. 5

## STEP 6.

Make wire connections. Connect the wires from the fixture plate to the wire from the ceiling as below chart.

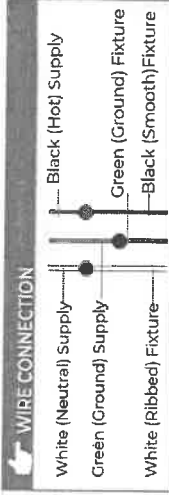


FIG. 6

## STEP 7.

Snap the fixture lens cover onto the fixture plate. Restore power to the electrical box. Turn on the light switch to activate the fixture.

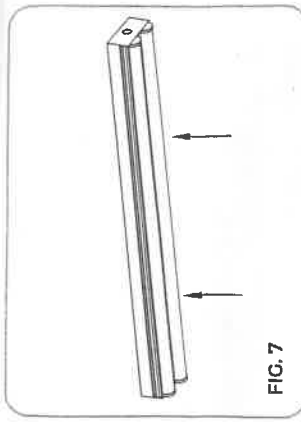


FIG. 7

## STEP 8.

Multipul light fixture can be linked end to end, up to maximum 500W. Only the first light fixture needs to be hardwired.

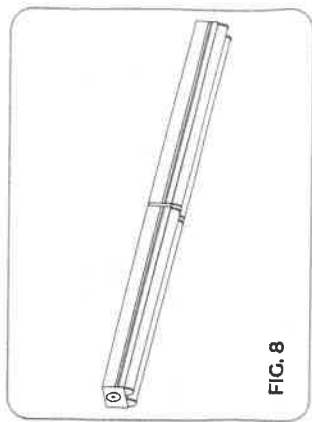
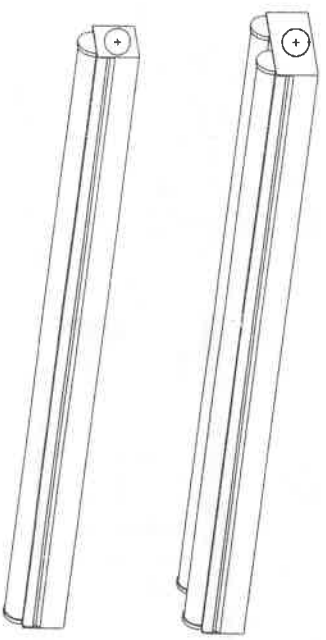


FIG. 8

# INSTALLATION INSTRUCTIONS

## LED STRIP LIGHT



Model	Descriptions	Input Volt.	Linkable
#4311	2ft LED 1-Light Strip Light	120~277VAC	Connect up to Max. 500W
#4312	4ft LED 1-Light Strip Light		
#4309	2ft LED 2-Light Strip Light		
#4310	4ft LED 2-Light Strip Light		

### SAFETY INFORMATION

Please read and understand this instructions before attempting to install, assemble or operate the product.

#### GENERAL

All electrical connections must be in accordance with local and National Electrical Code (N.E.C.) standards. If you are unfamiliar with proper electrical wiring connections obtain the services of a qualified electrician.

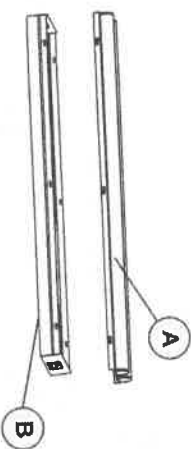
**⚠️ WARNING** – Risk of electric shock. Ensure to turn off the main power at the circuit breaker before removing the existing fixture or installing the new one.

### PREPARATION

Before beginning assembly and installation of product, make sure all parts are present the same as the package contents list and hardware contents list.

#### Package Contents

- A. Fixture Lens Cover x 1
- B. Fixture Plate x 1



#### Hardware Contents

- AA. Drywall Anchor x 2
- BB. Mounting Screw x 2
- CC. Machine Screw x 2
- DD. Mounting Plate x 1



Mounting Plate  
(Model #4309 - 4310 included)

