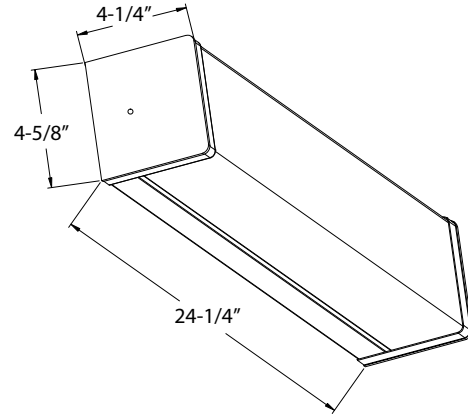


4115

120V-277V Universal Voltage

Catalog #:		Type
Project:		Date
Prepared by:		

2' Stairwell - NON-Dimmable



DESCRIPTION

Safety, reliability, and efficiency are just a few things that come to mind when thinking stairwell lighting. Our LED stairwell lights deliver just that in a simple and practical design. Increase energy savings with the built-in motion sensor, by only lighting the stairwell when occupied. Available in dimming and non-dimming option.

DESIGN FEATURES

Construction

- Heavy-duty steel construction
- Available in 2' (4115) and 4' (4116)
- 24-1/4" L x 4-1/4" W x 4-5/8" H

Electrical

- 120V-277V Universal Voltage
- NON-Dimmable
- 20W, 2100lms, 105lms/W
- 50,000 hour projected life
- Available in 80CRI, 4000K

Installation

- Ceiling or wall mount

Lens

- High-efficiency acrylic lens
- 120° beam angle

Finish

- White finish

Available options

- Motion Sensor: 4760MS
- Microwave motion sensor
4115WH-OS
- Emergency Battery Backup
4115WH-EM
- Both
4115WH-OS-EM

Certifications

- cETLus Certified
- Limited 5 Year Warranty

ORDERING

Example: 4115-OS-EM

Model #	Motion Sensor and Battery
4115	
4115	-OS : Microwave motion sensor -EM : Emergency Battery Backup -OS-EM : Both

TEL: 800.937.6925 | Fax: 800.207.9509 | www.rplighting.com

Specifications and dimensions subject to change without notice.

