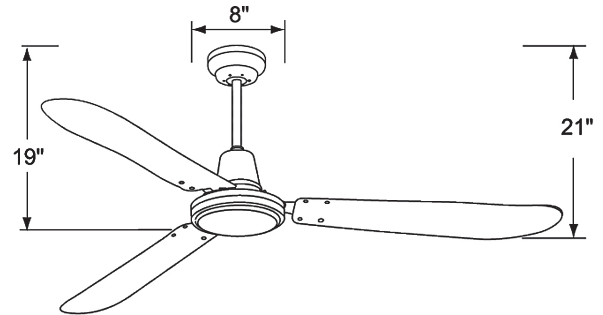
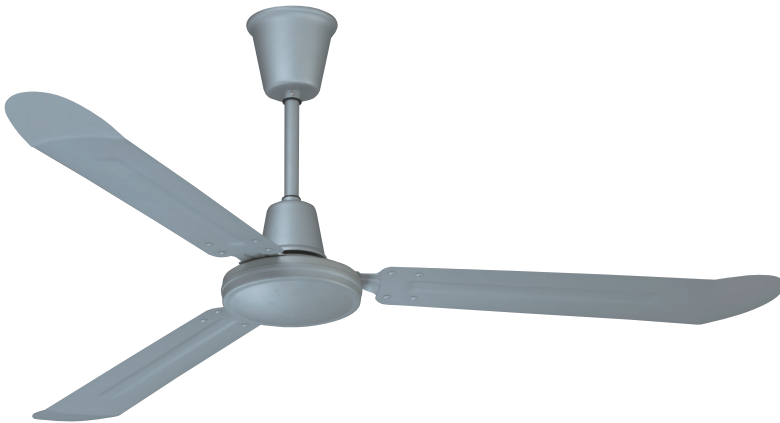


1091

120V

Catalog #:		Type
Project:		Date
Prepared by:		

Industrial Fan - 3 Blade, 56" Sweep



Industrial Fan - 3 Blade 56"

DESCRIPTION

The Industrial 3-blade, 56" sweep ceiling fan is made to move a large amount of air for commercial, industrial or larger residential spaces.

DESIGN FEATURES

Motor

- 1-Speed | Multi-speed with optional wall control
- AC Motor | 194 x 16 mm motor | 1 capacitor
- RPM: High: 310 Low: 100
- 7876 CFM | 58.6 W | Efficiency = 134
- 52" Lead wire | 12" down rod included

Controls:

- Optional Wall Control (sold separately) WC-3



Certifications

- ETLus Listed
- Fan Motor: 10 Year Limited Warranty
- Non-Electrical: 1 Year Limited Warranty

Blades

- 3-Blade, 56" sweep
- Blade Construction: Metal
- 10° pitch

Dimensions

21"	8"	19"
Height (lowest point)	Width (housing)	Height (top of blade)

ORDERING GUIDE

Example: 1091WW-WW

Model #	Motor / Blade Finish
1091	
1091	BA-BA : Brushed Aluminum / Brushed Aluminum WW-WW : White / White

TEL: 800.937.6925 | Fax: 800.207.9509 | www.rplighting.com

Specifications and dimensions subject to change without notice.

5/12/21 R1

