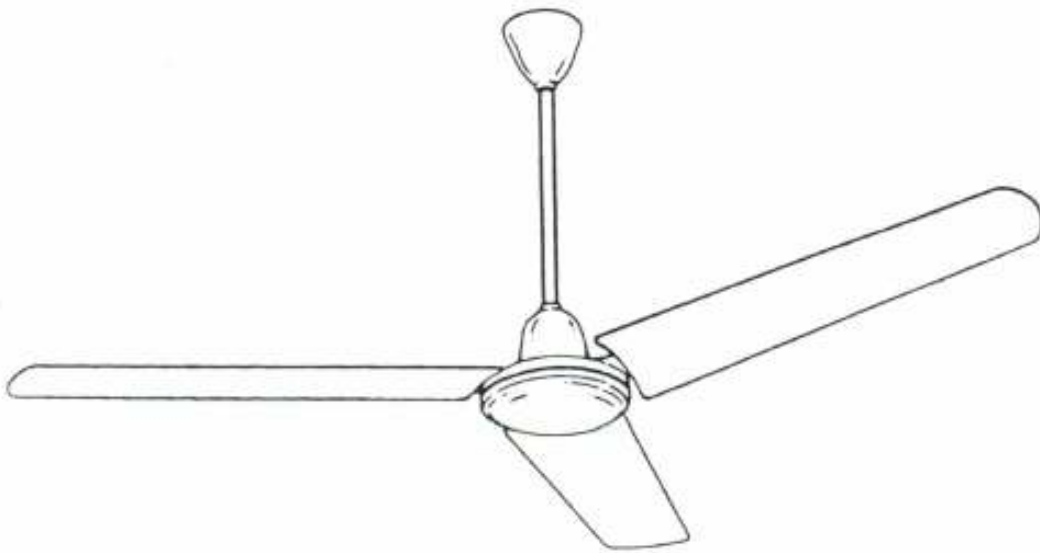


## **INDUSTRIAL 56'' Ceiling Fan**

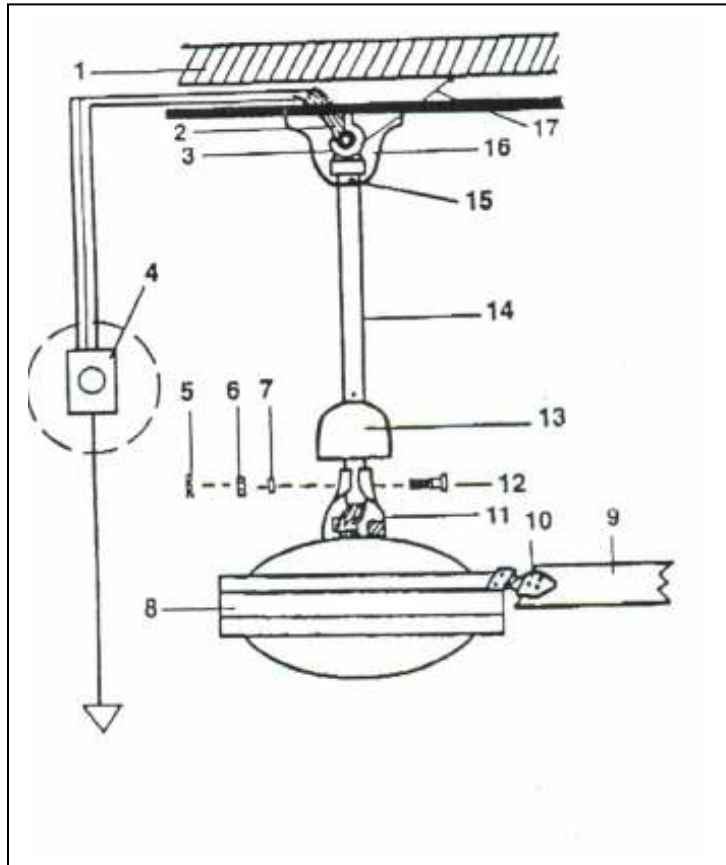


### **Installation Instructions**

**Read and Save these Instructions.**

# Fan Details

- 1) Ceiling
- 2) Lead Wires
- 3) Mounting Hook
- 4) Switch
- 5) Cotter Pin
- 6) Hex Nut
- 7) Washer
- 8) Motor
- 9) Blade
- 10) Blade Bracket
- 11) Shackle
- 12) Cross Pin
- 13) Lower Canopy
- 14) Downrod
- 15) Upper Canopy Screws
- 16) Upper Canopy
- 17) Ground Wire
- 18) Outlet Box
- 19) Cross Bar Screws
- 20) Cross bar
- 21) Outlet Box Screws
- 22) Control Bottom
- 23) Terminal Box
- 24) Front Panel
- 25) Front Panel Screw
- 26) Terminal box screw
- 27) Black Supply Lead
- 28) Black Fan Lead
- 29) Ground Lead



# **Safety Tips**

Warning: To reduce the risk of fire, electric shock, or injury to persons, the following must be observed:

- 1) Installation work and electrical wiring must be done by qualified person(s) in accordance with all applicable codes and standards, including fire-rated constructions.
- 2) Before you begin installing the fan, disconnect the power by removing fuses or turning off circuit breakers.
- 3) Be Cautious! Read all instructions and safety information before installing your new fan. Review the accompanying assembly diagrams.
- 4) When cutting or drilling into the wall or ceiling be careful not to damage electrical wiring or other hidden utilities.
- 5) Make sure the installation site you choose allows the fan blades to rotate without any obstructions. Allow a minimum clearance of 8 ½ feet from the floor to the trailing edge of the fan blades.
- 6) Attach the mounting bracket using only the hardware supplied with the fan.
- 7) If this unit is to be installed over a tub or shower, it must be marked as appropriate for the application.
- 8) NEVER place a switch where it can be reached from a tub or shower.
- 9) The combustion airflow needed for safe operation of fuel-burning equipment may be affected by this unit's operation. Follow the heating equipment manufacturer's guide line safety standards, such as those published by the National Fire Protection Association (NFPA), and the American Society of Heating, Refrigeration and Air Conditioning Engineers (ASHRAE) and the local code authorities.

WARNING – To reduce the risk of personal injury, do not bend the blade bracket when installing the bracket, balancing the blades, or establishing fan clearance. Do not insert foreign object(s) in between rotating fan blades.

WARNING – To reduce the risk of Electric Shock, Fire, or Personal Injury, mount to an outlet box marked “Acceptable for Fan Support” (must be rated for at least 35 lbs), and use the mounting screws provided with the outlet box.

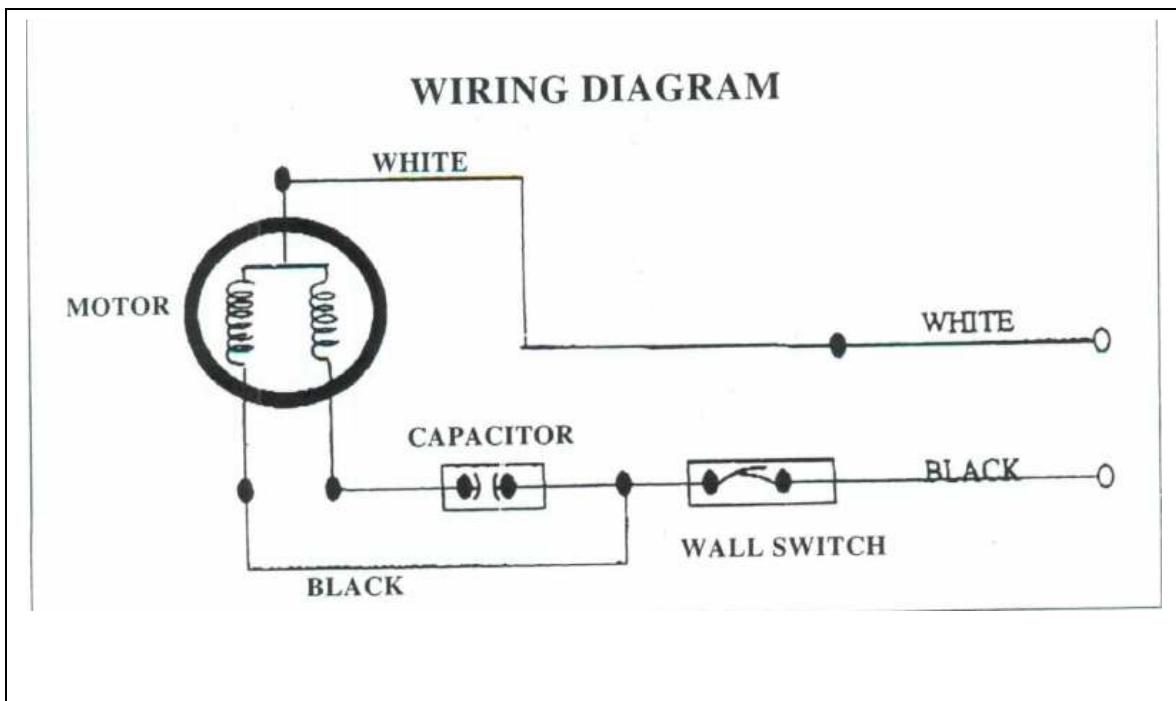
WARNING – To reduce the risk of Fire and/or Electric Shock, do not use this fan with any Solid State Fan speed Control Devices. Use Industrial Fan Approved Speed Controls Only.

WARNING – Make sure power is ‘OFF’ before attempting installation.

# Installation

For Fan

- 1) Insert downrod through upper canopy and lower canopy while feeding lead wires from motor through the downrod. Make sure the upper and lower canopy(s) are turned in the proper direction according to fan detail on Page 1.
- 2) Slide the downrod inside the shackle and insert the cross pin into the aligned holes of the shackle and downrod. Install washer and hex nut onto cross pin. Insert cotter pin into the end of the cross pin and secure.
- 3) Install the mounting hook onto the ceiling with the two wood screws and washers provided. Attach the ground wires from the shackle and supply onto one of the screws, making sure it is tight against the ceiling.
- 4) Hang loop of steel cable onto mounting plate hook. Allow the fan to hang on the hook for hands free wiring.
- 5) Wire fan according to wiring diagram, below.
- 6) Secure the upper canopy to the mounting plate using the screws provided.
- 7) Fix the lower canopy over the shackle, leaving some space for ventilation, and tighten the set screw.
- 8) Install the blades onto the blade brackets with the screws provided. Install each blade onto the motor with motor screws. Refer to Fan Details on page 1 for proper placement.



## **IMPORTANT**

Do not install the fan closer to door entrance than at least 3 feet from the end of the blades.

Install the fan at least 10 feet above floor level.

Never attempt to stop the fan blades when it is in operation.

## **HELPFUL HINTS**

Note: It is recommended by us that you have a qualified electrician install your fan for best results and safety. If you mount your fan on an existing electrical box you should first add a brace, as the fan's weight and torque could cause damage. Your fan may make a slight noise on low speed. Do not be concerned, as this is an electrical noise caused by reduction of watts going through the condenser.

- 1) Fan does not start:
  - Check wiring to ensure all connections are properly secured
  - Check capacitors and 5 choke regulator. Make sure the parts are allowing a good current flow.
  
- 2) Fan wobbles – move 1 inch or more
  - Uneven blades or arm angles
  - Check angles of blades. Run the fan for a few hours. If wobble persists then switch two of the blades that are next to each other.
  
- 3) Motor Jammed or Frozen:
  - Try turning the blades in the proper direction by hand while switch is off, then turn the switch on before the blades stop turning.

## **IMPORTANT**

This fan should be installed in accordance with all National, State, and Local Electrical Codes. Check codes in your area prior to installation.

## **REMARK**

Each motor has been installed with double sealed ball bearings that are self-lubricating. This fan offers a long life because it never needs to be oiled.