

Ceiling Fan

Installation Guide

Read and Save These Instructions

For Models: 1070W,1080W



Net Weight Of 1070W Fan: 30lbs (13.7kgs)

Net Weight Of 1080W Fan: 35lbs (15.9kgs)



TABLE OF CONTENTS

	Pages
SAFETY RULES	1
TOOLS AND MATERIALS REQUIRED	2
PACKAGE CONTENTS	2.3
MOUNTING OPTIONS	4
HANGING THE FAN	5
STANDARD CEILING INSTALLATION	5
HANGING THE FAN MOTOR ASSEMBLY	6
MAKING ELECTRICAL CONNECTIONS	7
CANOPY ASSEMBLY	8
ATTACHING THE FAN BLADES	9
INSTALLING THE BOTTOM CAP	9
LIGHT KIT ADAPTABLE	10
OPERATING YOUR FAN	11.12
TROUBLESHOOTING	13
CARE OF YOUR FAN	13

SAFETY RULES

1. To reduce the risk of electric shock, ensure electricity has been turned off at the circuit breaker or fuse box before beginning.
2. All wiring must be in accordance with the National Electrical Code and local electrical codes. Electrical installation should be performed by a qualified licensed electrician.
3. **WARNING:** To reduce the risk of electrical shock and fire, **do not use this fan with any solid-state fan speed control device.**
4. **WARNING:** To reduce the risk of personal injury, use only the two steel screws (and lock washers) provided with the outlet box for mounting to the outlet box. Most outlet boxes commonly used for the support of lighting fixtures are not acceptable for fan support and may need to be replaced, consult a qualified electrician if in doubt.
5. The outlet box and support structure must be securely mounted and capable of reliably supporting a minimum of 70 lbs(32kgs) . Use only UL Listed outlet boxes marked "**FOR FAN SUPPORT**".
6. The fan must be mounted with a minimum of 10 ft.(3M) clearance from the trailing edge of the blades to the floor.
7. Do not operate reversing switch while fan blades are in motion. Fan must be turned off and blades stopped before reversing blade direction.
8. Avoid placing objects in the path of the blades.
9. To avoid personal injury or damage to the fan and other items, be cautious when working around or cleaning the fan.
10. Do not use water or detergents when cleaning the fan or fan blades. A dry soft cloth or lightly dampened cloth will be suitable for most cleaning.
11. After marking electrical connections, spliced conductors should be turned upward and pushed carefully up into outlet box. The wires should be spread apart with the grounded conductor and the equipment-grounding conductor on one side of the outlet box.
12. Electrical diagrams are reference only. Light kit that are not packed with the fan must be UL Listed and marked suitable for use with the model fan you are installing. Switches must be UL General Use Switches. Refer to the Instructions packaged with the light kits and switches for proper assembly.

WARNING

TO REDUCE THE RISK OF FIRE, ELECTRIC SHOCK OR PERSONAL INJURY, MOUNT FAN TO OUTLET BOX MARKED "ACCEPTABLE FOR FAN SUPPORT".

WARNING

TO REDUCE THE RISK OF PERSONAL INJURY, DO NOT BEND THE BLADE BRACKETS (ALSO REFERRED TO AS FLANGES) DURING ASSEMBLY OR AFTER INSTALLATION. DO NOT INSERT OBJECTS IN THE PATH OF THE BLADES.

TOOLS AND MATERIALS REQUIRED

- Ladder
- Pliers
- Wire Strippers
- Phillips Screwdriver
- Adjustable wrench



PACKAGE CONTENTS

Model#1070W

Before installation.

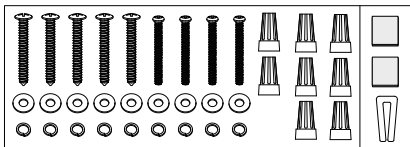
Unpack your fan and check the contents.

You should have the following items:

Parts	Quantity
a. Blade with Holder Set	7
b. Hanger bracket	1
c. Waterproof cover(gasket)	1
d. Canopy	1
e. 8" & 24" Downrods	2
f. Motor coupling cover	1
g. Fan motor assembly	1
h. Bottom Cap	1

i. Hardware Bag including the following:

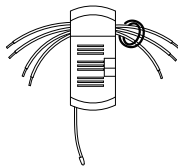
- 1) Mounting hardware :
 wood screws (5) , Flat / Spring washers (5)
 hanger bracket screws (4), Flat / Spring washers (4)
 wire nuts (8)
- 2) Balance Kit (1)



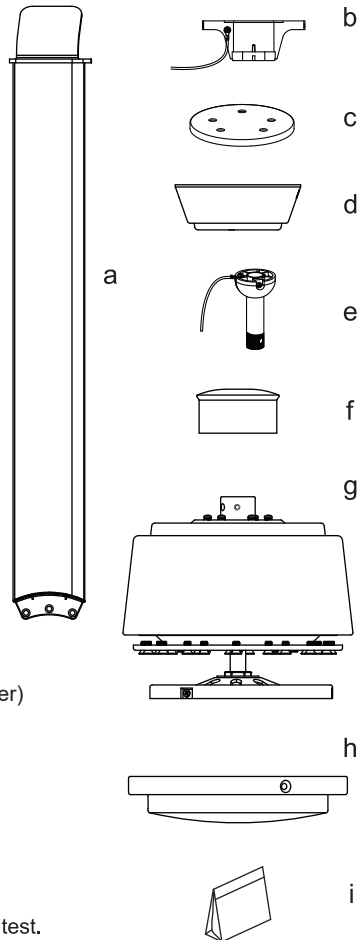
This screw package only for the wooden ceiling.
 For the concrete ceiling and steel ceiling, please
 use the appropriate screw (Not Included).

j. DC Ceiling Fan RF Wall Control (Transmitter & Receiver)

(Battery 1x12V23A Included)



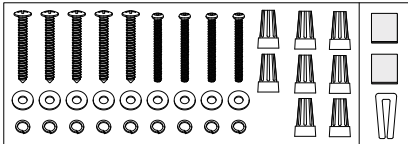
Note: The driver with receiver do not carry out Hi-Pot test.



Parts	Quantity
a. Blade with Holder Set	7
b. Hanger bracket	1
c. Waterproof cover(gasket)	1
d. Canopy	1
e. 8" & 24" Downrods	2
f. Motor coupling cover	1
g. Fan motor assembly	1
h. Bottom Cap	1

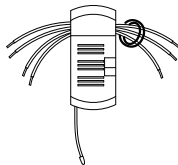
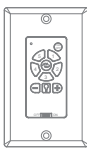
i. Hardware Bag including the following:

- 1) Mounting hardware :
 wood screws (5) , Flat / Spring washers (5)
 hanger bracket screws (4), Flat / Spring washers (4)
 wire nuts (8)
- 2) Balance Kit (1)

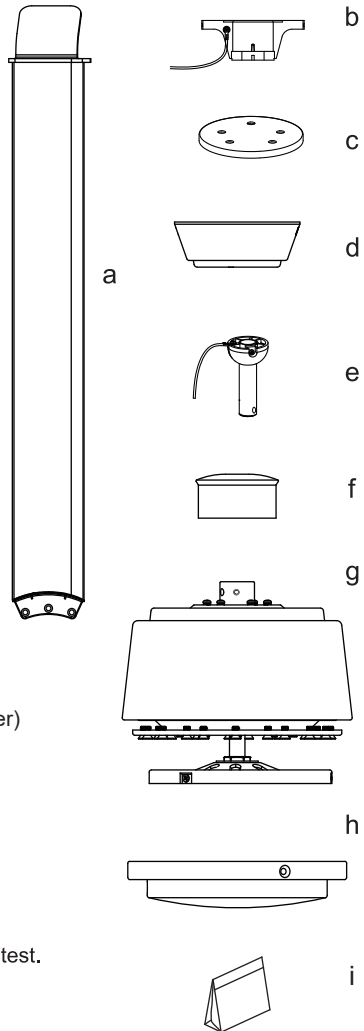


This screw package only for the wooden ceiling.
 For the concrete ceiling and steel ceiling, please
 use the appropriate screw (Not Included).

- j. DC Ceiling Fan RF Wall Control (Transmitter & Receiver)
 (Battery 1x12V23A Included)



Note: The driver with receiver do not carry out Hi-Pot test.



MOUNTING OPTIONS

If there isn't an existing UL listed mounting box, then read the following instructions. Disconnect the power by removing fuses or turning off circuit breakers.

Secure the outlet box directly to the building structure. Use appropriate fasteners and building materials. To reduce the risk of fire, electric shock, or personal injury, mount to outlet box marked "acceptable for fan support of 70 lbs (32 kgs) " and use mounting screws provided with the outlet box.

Most outlet boxes commonly used for the support of luminaries are not acceptable for fan support and may need to be replaced.

Figures 1 and 2 are examples of different ways to mount the outlet box.

To hang your fan where there is an existing fixture but no ceiling joist, you may need an installation hanger bar as shown in Figure 3.

Fig.1

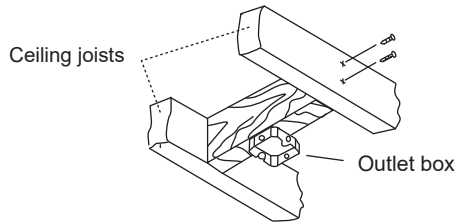


Fig.2

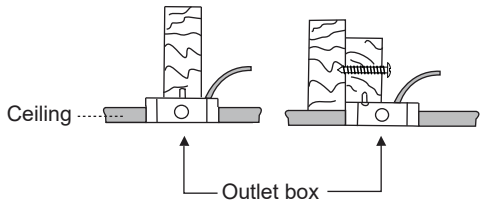
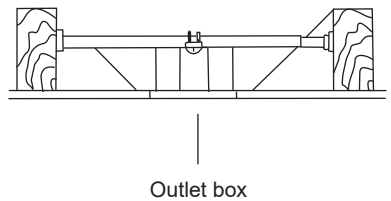


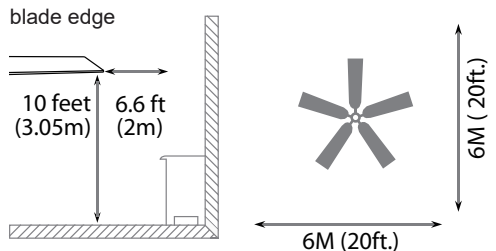
Fig.3



WARNING

The fan can weigh up to 35 lbs (15.9kgs). The fan should not be installed unless the structure on which the fan is to be mounted is of sound construction, undamaged, and capable of supporting the loads of the fan and its method of attachment. A structural engineer should verify that the structure is adequate prior to fan installation. Verifying the stability of the mounting structure is the sole responsibility of the customer and/or end user, and we hereby expressly disclaims any liability arising therefrom.

Fig.4



WARNING

At the end of the blade must be a minimum of 2 meters away from the wall. There must be a distance of 3 meters between two ceiling fans.

HANGING THE FAN

Remember to turn off the power. Follow the steps below to hang your fan properly. **NOTE:** This ceiling fan is supplied with the hanging assemblies; the standard ceiling installation using the downrod with ball and hanger bracket mounting installation.

STANDARD CEILING INSTALLATION

Step 1. Pass the 120-volt supply wires through the waterproof cover and ceiling hanger bracket as shown in Fig.5.

Step 2. Secure the waterproof cover and hanger bracket to the ceiling outlet box with the screws and washers included with mounting hardware. (Fig.5)

Step 3. Remove the hanger pin, lock pin and set screws from the top of the motor assembly.

Step 4. Route wires and safety cable exiting from the top of the fan motor through the canopy, coupling cover and then through the ball / downrod.(Fig.6)

Step 5. Align the holes at the bottom of the downrod with the holes in the collar on top of the motor housing. Carefully insert the hitch pin through the holes in the collar and downrod. Be careful not to jam the pin against the wiring inside the downrod. Insert the locking pin through the hole near the end of the hitch pin until it snaps into its locked position.(Fig.6)

Step 6. Tighten two set screws on top of the fan motor firmly.

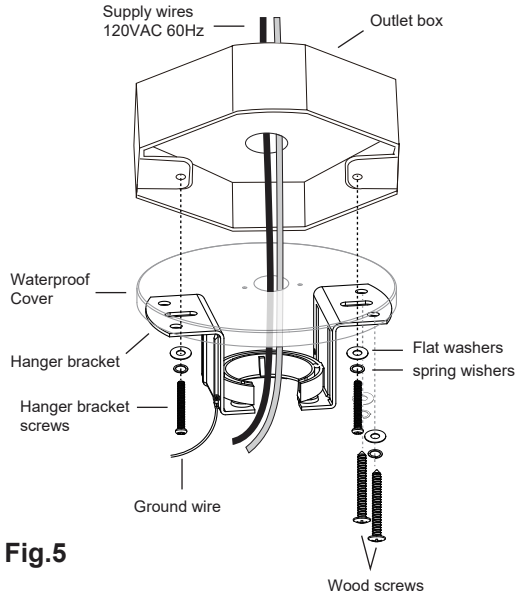


Fig.5

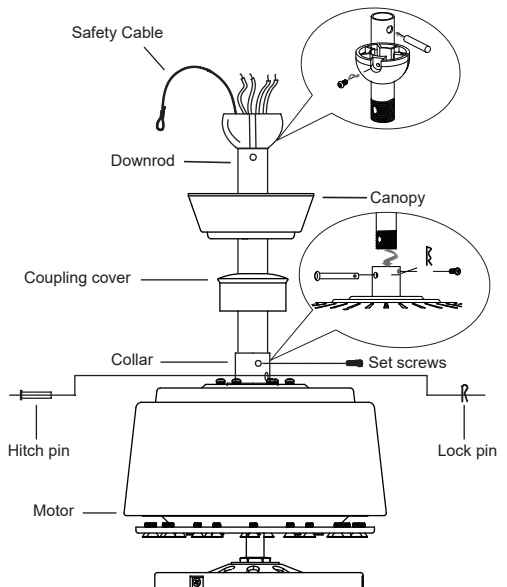
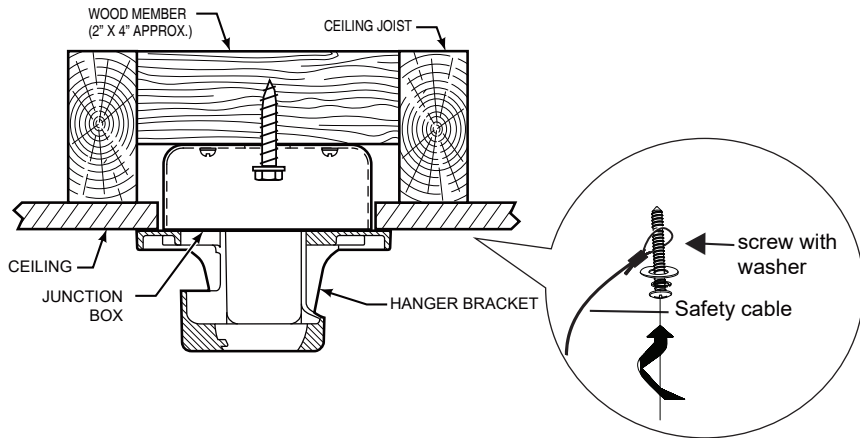


Fig.6

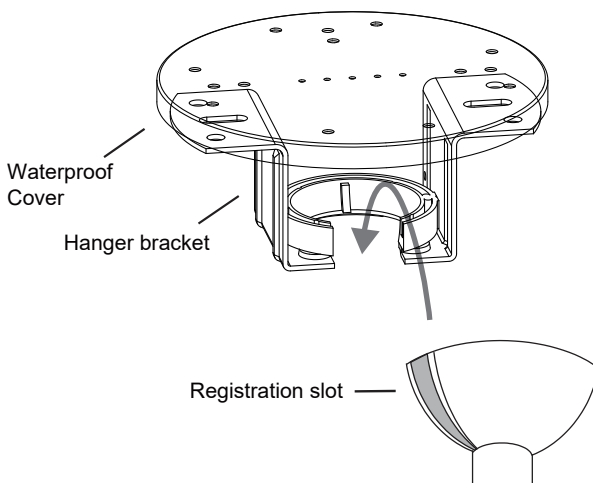
Step 7. Install the safety cable to the ceiling using wood screw and washers.



HANGING THE FAN MOTOR ASSEMBLY

Lift the fan assembly onto the mounting bracket. Then will allow you to make the electrical connections. Ensure the notch of the ball joint is positioned on the stopper of the mounting bracket to prevent the fan from rotating when in operation.

Warning: Failure to align notch of hanging ball with stopper in hanging bracket may result in serious injury.



MAKING ELECTRICAL CONNECTIONS

Remember to disconnect the power.

Follow the steps below to connect the fan to your household wiring. Use the wire connecting nuts supplied with your fan. Secure the connectors with electrical tape. Make sure there are no loose strands or connections.

Connect the yellow / green ground wires installed on downrod, hanger bracket and driver/receiver to household supplied ground wire with wire connector.

Refer to wiring diagram making correct wire connections.

NOTE: This fan must be installed by a licensed electrician.

After wire connections have been made, turn leads upward and carefully push the white wire and black wire connections into the outlet box. The other connections should be spread apart neatly and place on both side of the hanger bracket.

WARNING: Check to see that all connections are tight, including ground connection. **DO NOT** operate fan until the blades are secured in place.

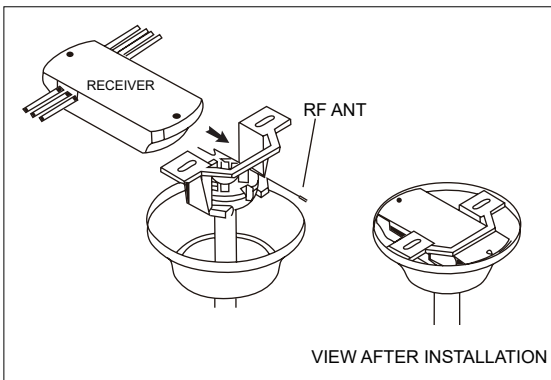
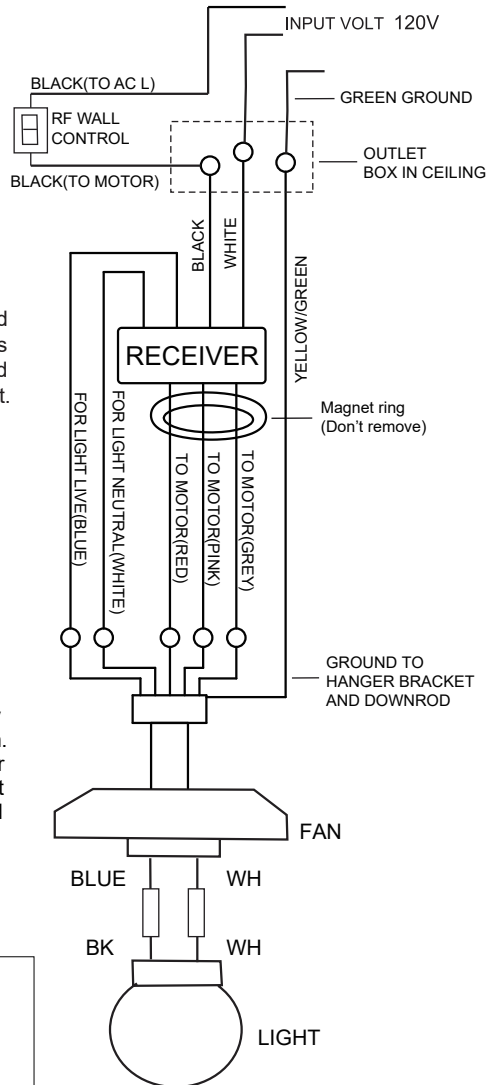
WARNING: This fan must use the RF wall control. Can not indicate other speed control or the like.

WARNING: To reduce the risk of electric shock, this fan must be installed with an isolating general-use wall control / switch.

The DC fan receiver provides protective functions.

Lock protection - The DC motor has a build-in safety feature against blade or motor obstruction during operation. If something obstructs the fan blades or motor, the motor will keep trying to run and then stop operation after about 20-30 seconds of interruption. Remove obstacles and use RF wall control included with this fan.

Over load protection (current limit) - The device limit the maximum current output from the receiver/driver when the fan load was increased abnormally.



⚠ WARNING
DO NOT USE THIS DC MOTOR FAN IN CONJUNCTION WITH ANY VARIABLE (RHEOSTAT) WALL CONTROL OR REMOTE CONTROL.

CANOPY ASSEMBLY

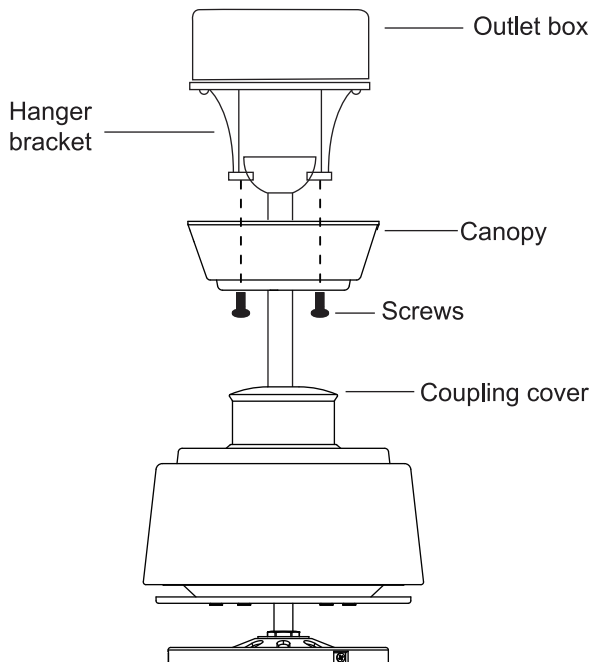
After completing electrical connection, cover the MOUNTING BRACKET with the CANOPY.

Ensure that all electrical wiring is carefully tucked inside the canopy.

Locate 2 screws on underside of mounting bracket.

Attach canopy to the mounting bracket by placing screws into slotted holes in canopy.

Twist clockwise to lock into place. Tighten screws firmly.

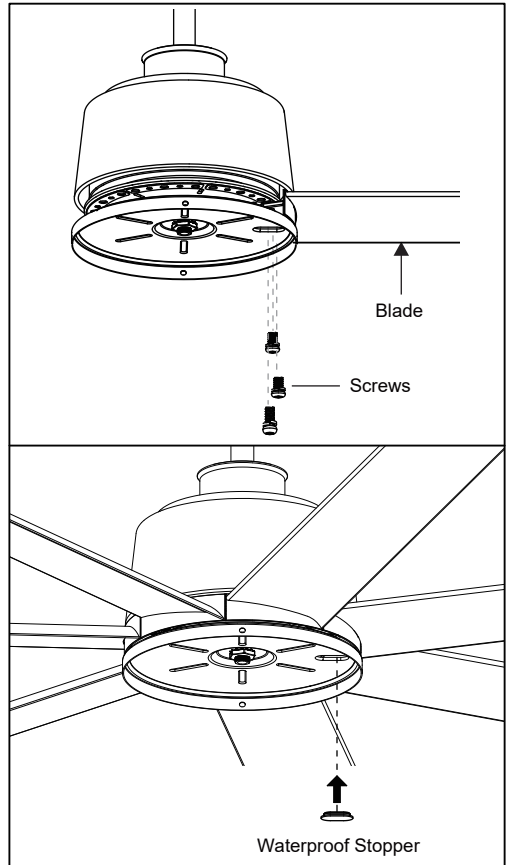


ATTACHING THE FAN BLADES

Remove rubber motor stoppers and waterproof stopper from the fitter plate before attaching fan blades.

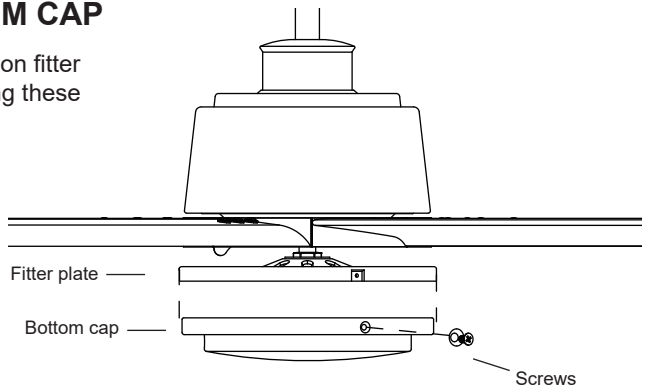
Step 1. Fasten each blade assembly to motor by using 3 screws attached to the fan motor.

Noted: After completing fan blades installation, plugging the waterproof stopper back in the installation hole of mounting plate.



INSTALLING THE BOTTOM CAP

Remove the 4 screws and washers on fitter plate and fix the bottom cap on using these screws and washers.



LIGHT KIT ADAPTABLE

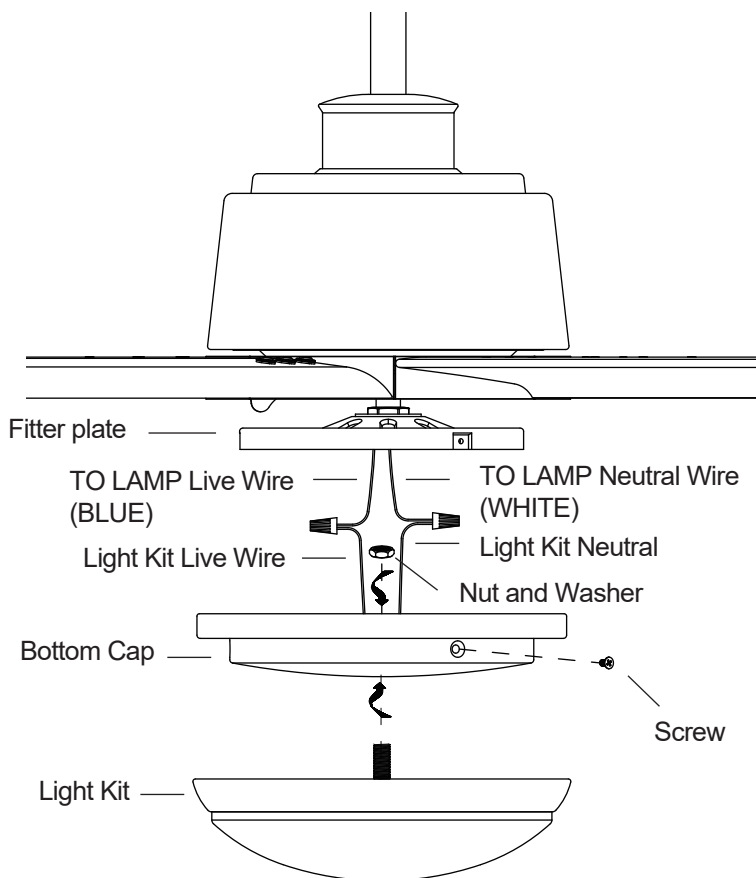
Step 1. Remove bottom cap from fitter plate by unscrew the 4 screws. Attach the light kit to the bottom cap with the hex nut and spring washer.

Step 2. Connect the light wire use the wire connectors.

Light kit Live (Black) wire to Blue wire,

Light kit Neutral (White) wire to White wire.

Step 3. Secure bottom cap with screws previously removed and tighten firmly.

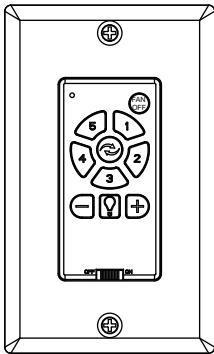


OPERATING YOUR FAN

Turn the RF wall control power on and check the operation of your fan. The RF wall control controls the fan speed as follows:

Wall Transmitter Operation

The buttons on the wall transmitter control the fan speed and light as follows.



Press the FAN OFF button to turn fan off.



Fan Speed 1- Highest Speed 4- Low Speed
 2- High Speed 5- Lowest Speed
 3- Med Speed



Forward/ Reverse-
Press this button to get desired airflow direction.
It will take a few seconds for fan to slow down and
change rotation direction.



Press this button to turn the light on and off.



Control light level down. Hold this button to dim light.



Hold this button to get light brighter.



Power Slide Switch is to turn power ON or OFF.

NOTE: Dimming function is not available if light kit is not dimmable. The remote controller used on DC ceiling fan model# 1070W and #1080W are not capable of dimming function, when use this remote transmitter with light kit installed to these two models, pressing \ominus or \oplus button has no effect.

Code Learning Mode:

The wall transmitter has been pre-paired with the fan for your convenience, however shall you ever need to replace the wall transmitter, follow these simple steps:

1. Within 30 seconds after the receiver is powered ON (connected), press the “FAN OFF” button on the transmitter for 3~4 seconds.
2. The digital pairing is complete, you can operate the fan normally.

F/R button controls directions: forward or reverse.

Warm Weather (Forward) - A downward airflow creates a cooling effect as shown in Fig.7.
This allows you to set your air conditioner on a warmer setting without affecting your comfort.

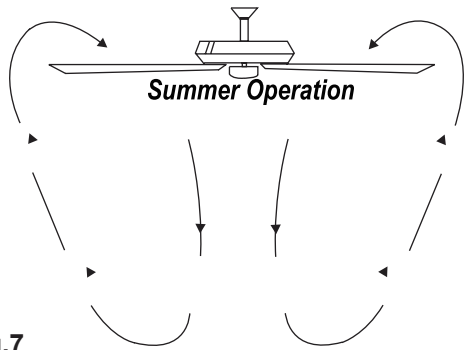


Fig.7

Cool Weather (Reverse) - An upward airflow moves warm air off the ceiling area as shown in Fig.8.
This allows you to set your heating unit on a cooler setting without affecting your comfort.

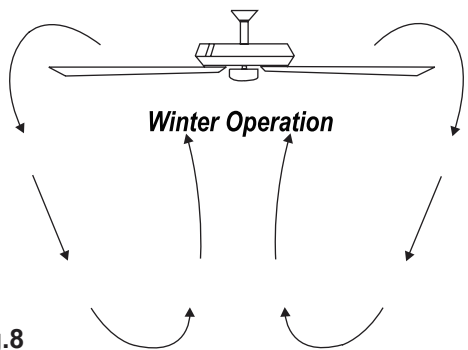


Fig.8

TROUBLESHOOTING

WARNING: Failure to disconnect power supply prior to troubleshooting any wiring issues may result in serious injury.

Problem	Solutions
Fan will not start.	<ul style="list-style-type: none">- Check circuit fuses or breakers.- Check line wire connections to the fan and switch wire connections in the switch housing.
Fan sounds noisy.	<ul style="list-style-type: none">- Make sure all motor housing screws are snug.- Make sure the screws that attach the fan blade bracket to the motor hub is tight.- Make sure wire nut connections are not rubbing against each other or the interior wall of the switch housing.- Allow a 24-hour "breaking-in" period. Most noise associated with a new fan disappear during this time.- If using an optional light kit, make sure the screws securing the glassware are tight. Check that light bulb is also secure.- Some fan motors are sensitive to signals from solid-state variable speed controls. If you have installed this type of control, choose and install another type of control.- Make sure the upper canopy is a short distance from the ceiling. It should not touch the ceiling.
Fan wobbles	<ul style="list-style-type: none">- Check that all blade and blade arm screws are secure.- Most fan wobbling problems are caused when blade levels are unequal. Check this level by selecting a point on the ceiling above the tip of one of the blades. Measure this distance. Rotate the fan until the next blade is positioned for measurement. Repeat for each blade. The distance deviation should be equal within 1/8".- Use the enclosed Blade Balancing Kit if the blade wobble is still noticeable.- If the blade wobble is still noticeable, interchanging two adjacent (side by side) blades can redistribute the weight and possibly result in smoother operation.

CARE OF YOUR FAN

Here are some suggestions to help you maintain your fan.

1. Because of the fan's natural movement, some connections may become loose. Check the support connections, brackets, and blade attachments twice a year. Make sure they are secure. (It is not necessary to remove fan from ceiling.)
2. Clean your fan periodically to help maintain its new appearance over the years. Use only a soft brush or lint-free cloth to avoid scratching the finish. The plating is sealed with a lacquer to minimize discoloration or tarnishing. Do not use water when cleaning. This could damage the motor, or the wood, or possibly cause an electrical shock.
3. You can apply a light coat of furniture polish to the wood blades for additional protection and enhanced beauty. Cover small scratches with a light application of shoe polish.
4. There is no need to oil your fan. The motor has permanently lubricated bearings.



RP | LIGHTING • FANS

www.rplighting.com
4931 Paseo Del Norte NE
Albuquerque, NM 87113
1-800.937.6925