

Ceiling Fan

Installation Guide

Read and Save These Instructions

For Models:

1072-PC



1072LED-PC



TABLE OF CONTENTS

	Pages
SAFETY INFORMATION	1
TOOLS & MATERIALS REQUIRED	2.3
INSTALLING MOUNTING BRACKET	4
DOWNROD/BALL ASSEMBLY	5
HANGING THE FAN MOTOR ASSEMBLY	5
MAKING ELECTRICAL CONNECTIONS	6.7
CANOPY ASSEMBLY	7
BLADE INSTALLATION	8
ATTACHING SWITCH HOUSING COVER	9
INSTALLING THE LIGHT KIT	10
OPERATING YOUR FAN	11
REVERSING SWITCH	12
TROUBLESHOOTING	13

SAFETY INFORMATION

1. To reduce the risk of electric shock, turn the electricity off at main fuse box or circuit breaker before beginning fan installation or servicing the fan.
2. Read all instructions and safety information carefully before installing your fan and save this manual.
3. All electric connections must be complied with local electrical code and the National Electrical Code. If you are unfamiliar with electrical wiring, please have a qualified licensed electrician perform the installation.
4. The fan must be mounted with a minimum of 7 Ft (2.1M) clearance from the trailing edge of the blades to the floor.
5. The metal outlet box and ceiling support joist must be securely mounted, and capable of reliably supporting a minimum of 50 lbs (23 kgs).
Use only UL - listed outlet boxes marked "Acceptable For Fan Support."
6. To reduce the risk of personal injury, use only approved hanging brackets and screws supplied with the fan for mounting to the outlet box.
7. After completing installation, check all setscrews and make sure they are firmly secured.
8. Wooden blades are not intended for storage or installation in spaces that are not temperature controlled. To avoid issues with blade warping do not store or install ceiling fans in areas without air conditioning.
9. Do not operate reversing switch while fan blades are in motion. Fan must be turned off and blades stopped before reversing blade direction.

WARNING: To reduce the risk of fire or electric shock, do NOT use this fan with any solid-state speed control device.

WARNING: To reduce the risk of personal injury, do NOT insert foreign objects in between rotating fan blades.

CAUTION: To reduce the risk of personal injury, use only set screws provided with the fan for mounting to the outlet box.

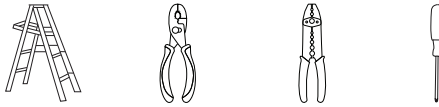
Most outlet boxes commonly used for supporting of the lighting fixture are not acceptable for fan support and may need to be replaced. Consult a qualified electrician if in doubt.

WARNING: To reduce the risk of personal injury, use only parts provided with fan.

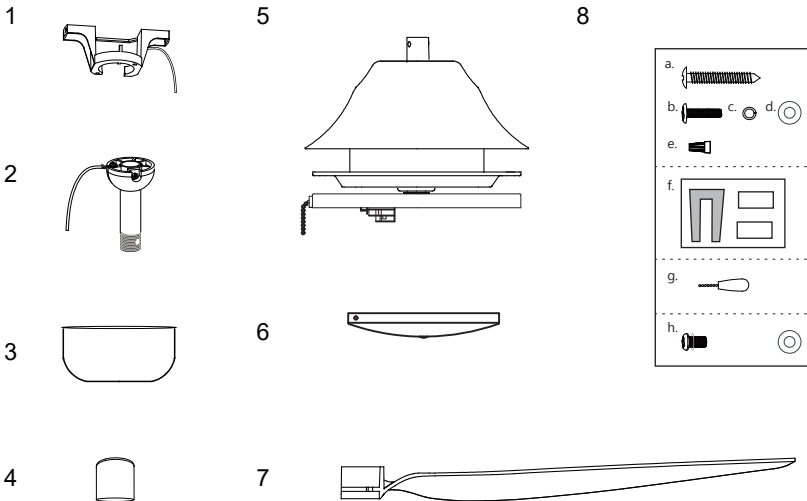
The use of parts other than those provided with fan will void the warranty.

TOOLS & MATERIALS REQUIRED

- Ladder
- Pliers
- Wire Strippers
- Phillips Screwdriver



Model#1072-PC

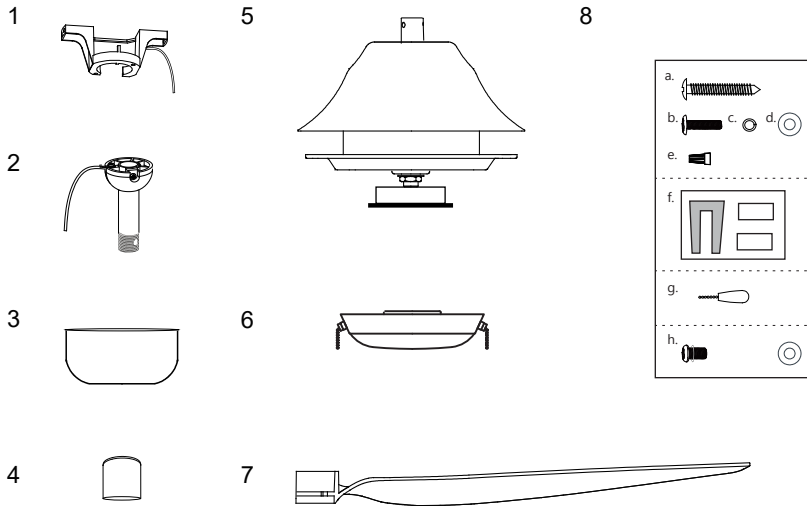


#	Parts	Quantity
1	Mounting bracket	1
2	Downrod / ball assembly	1
3	Ceiling canopy	1
4	Coupling cover	1
5	Fan motor assembly	1
6	Switch housing cover	1
7	Fan blades	3

8. Hardware bag included:

#		Quantity
a.	Wood screws	2
b.	Hanging bracket screws	2
c.	Spring washers	2
d.	Flat washers	2
e.	Wire nuts	3
f.	Balance kit	1 set
g.	Pull chain (Wood tassel)	1
h.	Blade screws and flat washers	10

Model#1072LED-PC



#	Parts	Quantity
1	Mounting bracket	1
2	Downrod / ball assembly	1
3	Ceiling canopy	1
4	Coupling cover	1
5	Fan motor assembly	1
6	LED light kit	1
7	Fan blades	3

8. Hardware bag included:

#		Quantity
a.	Wood screws	2
b.	Hanging bracket screws	2
c.	Spring washers	2
d.	Flat washers	2
e.	Wire nuts	3
f.	Balance kit	1 set
g.	Pull chain (Wood tassel)	2
h.	Blade screws and flat washers	10

INSTALLING MOUNTING BRACKET

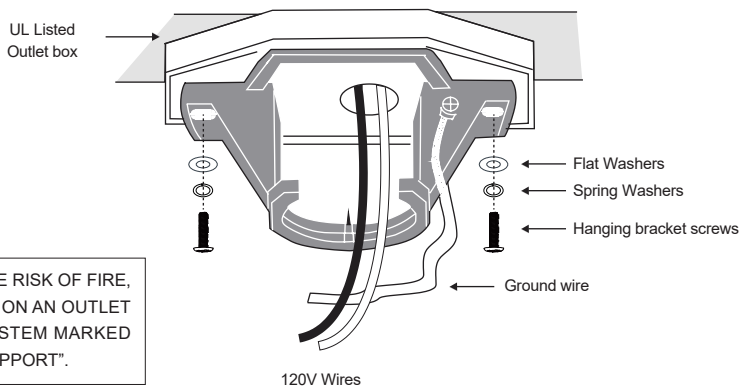
Shut the power off at the circuit breaker box before beginning.

Warning: Failure to disconnect power supply prior to installation may result in serious injury. For safety and best operating results, installation must be undertaken by qualified electrician. Before installing the fan make sure the outlet box is properly installed to house structure. Ensure the metal outlet box is securely fastened by at least two points to a structural ceiling member, a loose box will cause the fan wobble.

Secure mounting bracket to outlet box by tightening Hanging bracket screws & spring washers. If not mount to ceiling outlet box, use wood screws and flat washers and mount securely to ceiling beam. **Note:** Do not mount directly to sheet rock or ceiling tiles.

The ceiling fan must be installed in a location with a minimum of 18" spacing from the tip of the blade to the nearest objects or walls.

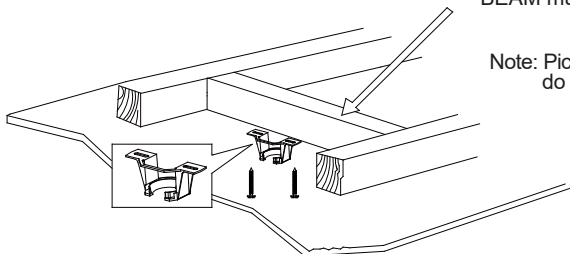
Secure the mounting bracket to the ceiling joist or structure that is capable of carrying a load of at least 40kgs, use two wood screws provided.



WARNING: TO REDUCE THE RISK OF FIRE, INJURY. MOUNT FAN ONLY ON AN OUTLET BOX OR SUPPORTING SYSTEM MARKED "ACCEPTABLE FOR FAN SUPPORT".

BEAM must be able to support up to 40kg.

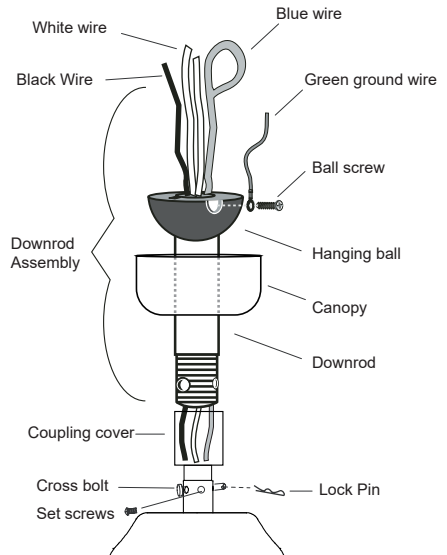
Note: Picture is for representation only and do not represent the actual bracket.



DOWNROD / BALL ASSEMBLY

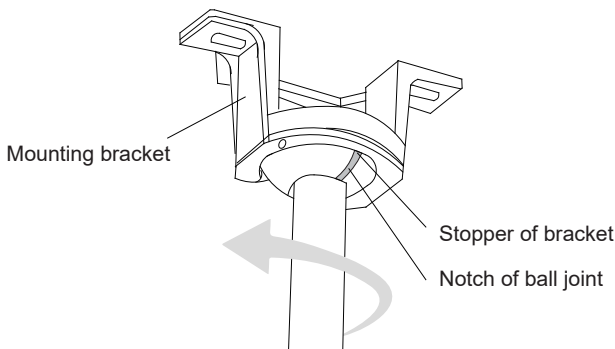
- Locate downrod assembly. Loosen ground screw on black hanging ball and setscrew to free lock pin, black hanging ball will slide down.
- Remove ground screw and green ground wire. Remove hanging ball from downrod and save all parts.
- Insert fan wires and safety cable through downrod. Thread downrod into top of fan motor housing until holes for downrod pin align with holes in collar.
- Make sure wires do not get twisted. Insert downrod pin through coupling and downrod, secure by tightening security screw.
- Put canopy in between the downrod and ball, replace the downrod ball, insert the lock pin through downrod and tight setscrew against downrod, tighten ground wire by using ground screw.

Warning: Failure to tighten setscrew on hanging ball completely could result in the fan loose and possibly falling.



HANGING THE FAN MOTOR ASSEMBLY

- Lift the fan assembly onto the mounting bracket.
- Ensure the notch of the ball joint is positioned on the stopper of the mounting bracket to prevent the fan from rotating when in operation.



MAKING ELECTRICAL CONNECTIONS

Warning: All wiring must be in accordance with national and local electrical codes ANSI/NFPA 70. If you are unfamiliar with wiring or in doubt, consult a qualified electrician.

Follow the steps below to connect the fan to your household wiring. Use the wire connecting nuts supplied with your fan.

Step 1.

Connect Black(Hot) fan wire to Black outlet wire, white (Neutral) fan wire to white outlet wire. Connect green or bare copper wire from outlet box to the hanger bracket and downroll ball green ground wires together. (Fig.A)

If an additional blue lite kit wire is present, then also connect the blue wire to black wire. Secure all connections with electrical tape. Make sure there are no loose strands or connections.

Step 2.

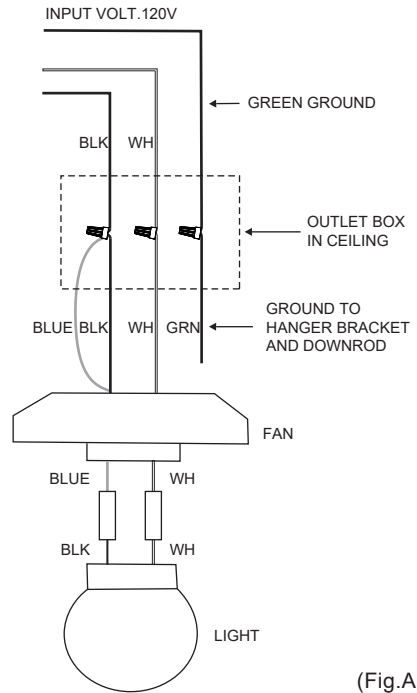
After completing wiring connections, turn all splices upward and carefully push into outlet box.

Separate blue and black wires on one side of the outlet box, the white and green wires on the other side.

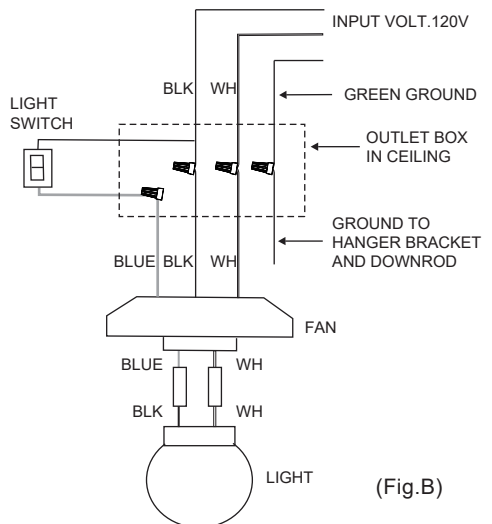
ELECTRICAL CONNECTIONS (FOR OPTIONAL WALL CONTROL)

Follow this wiring diagram. Fan & Wall control sold separately, choose wall dimming control compatible with LED light only.

Fig. B & C illustrate the wiring connections for optional wall control (The wire color out of wall control may vary, see wall control's installation manual for correct wire connections.)



(Fig.A)



(Fig.B)

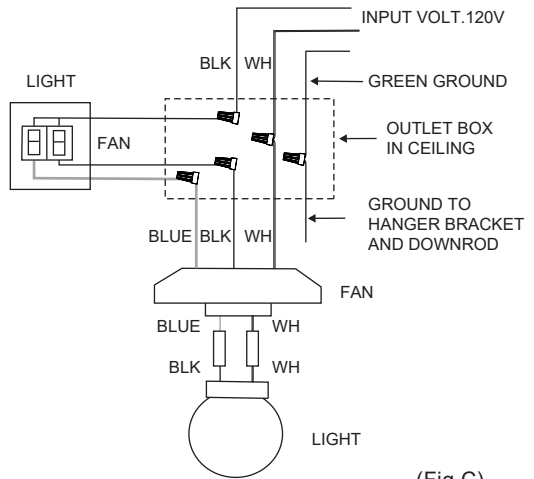
NOTE: Only use an optional wall switch

designed for use with ceiling fans.

If you select to control the motor from a wall switch, remember the wall switch will only turn your fan ON or OFF. The speed can be adjusted by pull chain.

If you select to control the light of ceiling fan from a wall switch, you must pull the light chain to the "ON" position.

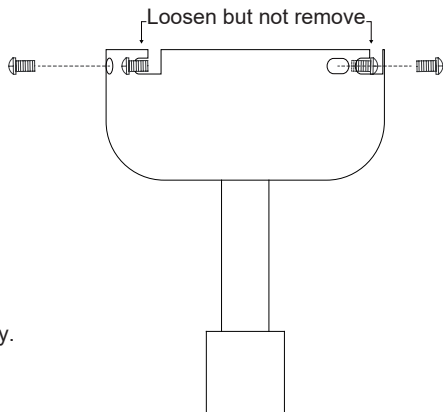
If you select to control the speeds of ceiling fan from a wall switch, you must set the speed switch on ceiling fan to HIGH speed and leave it in that setting.



(Fig.C)

CANOPY ASSEMBLY

- After completing electrical connections, cover the mounting bracket with canopy. Tuck all wire connections neatly back into ceiling outlet box. Remove two of 4 screws from the mounting bracket and loosen the other two screws but not remove.
- Slide the canopy up to the mounting bracket, align the locking slots of the ceiling canopy with two screws in the mounting bracket. Push the canopy to engage the slots and immediately tighten the two mounting screws firmly. Re-install the two screws removed previously into the slotted holes in canopy and tighten firmly.



BLADES INSTALLATION

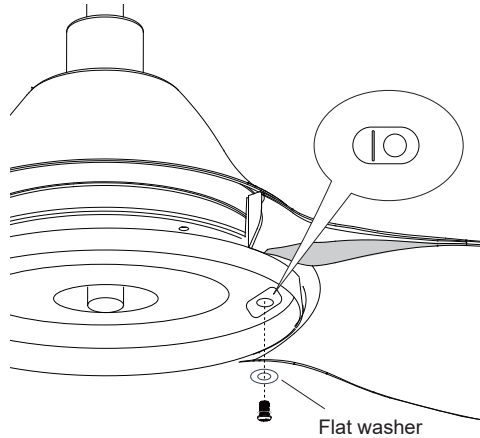
CAUTION: Do not install fan blade until the fan is completely installed.

- Attach each fan blade to the flywheel using 3 blade screws and washers, locate a slot hole on the mounting plate and secure the blade screws through the slot hole.

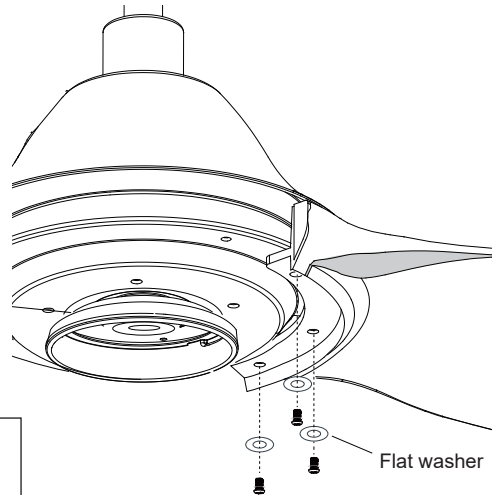
NOTE: Place the fan blade on the flywheel and align the middle hole on the fan blade with the hole next to a debossed line on the flywheel.

- Repeat this process to install the other blades to the motor.

Model#1072-PC



Model#1072LED-PC



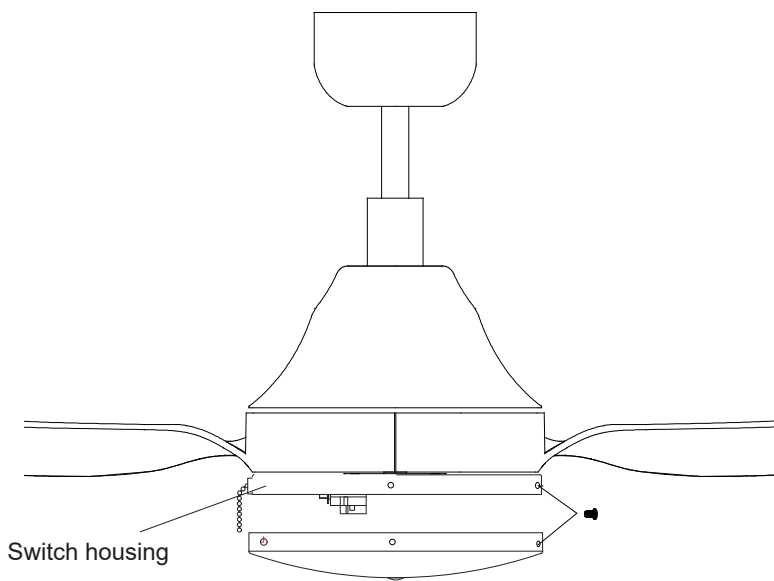
WARNING

TO REDUCE THE RISK OF PERSONAL INJURY, DO NOT BEND THE BLADE BRACKETS (ALSO REFERRED TO AS FLANGES) DURING ASSEMBLY OR AFTER INSTALLATION. DO NOT INSERT OBJECTS IN THE PATH OF THE BLADES.

ATTACHING SWITCH HOUSING COVER

Locate 3 screws on switch housing mounting plate, attach the cover to switch housing by using these 3 screws and tighten securely.

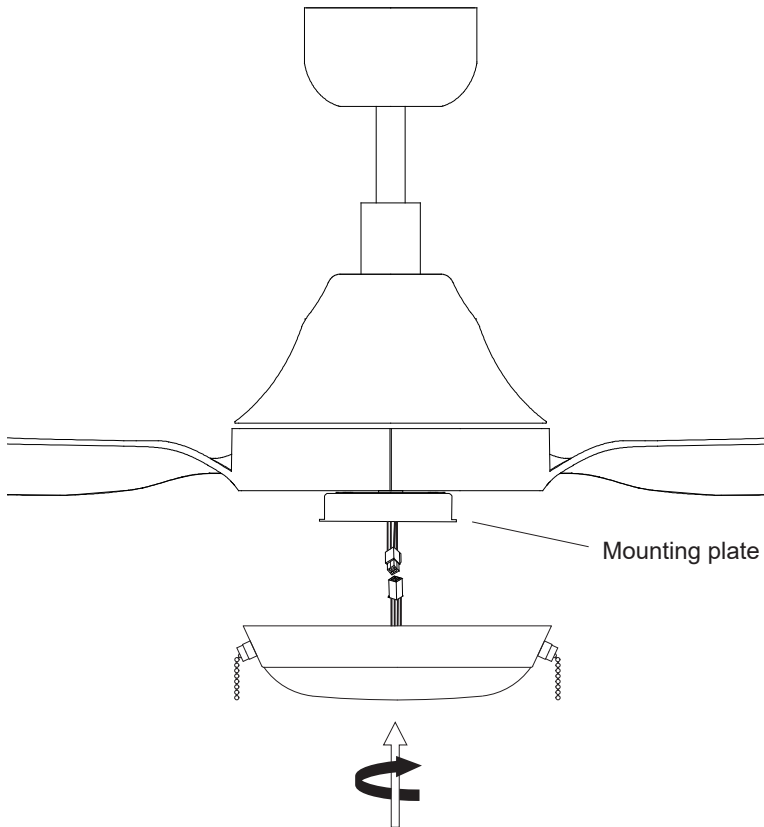
Model#1072-PC



INSTALLING THE LIGHT KIT

CAUTION: To reduce the risk of electric shock, disconnect the electrical supply circuit to the fan before installing light kit.

Connect the 4-pin connector from the LED light kit to the 4-pin connector from motor assembly together carefully. The LED light kit is designed for this specific application on ceiling fan model#1072LED-PC, secure the light kit to mounting plate by twisting in clockwise direction then lock in place.



OPERATING YOUR FAN

Connect the WOOD TASSEL to the pull chain located in switch housing.

Turn on the power and check the operation of your fan.

3-SPEED PULL CHAIN

1 pull = High Speed

2 pulls = Medium Speed

3 pulls = Low Speed

4 pulls = Fan Off

Connect the two WOOD TASSELS to the pull chains located in light kit (Model #1072LED-PC).

One is for the fan, and the other is for the light.

The pull chain switch for the light kit is two positions ON / OFF.

To turn the LIGHT KIT "ON" or "OFF", pull the chain attached to the light kit.

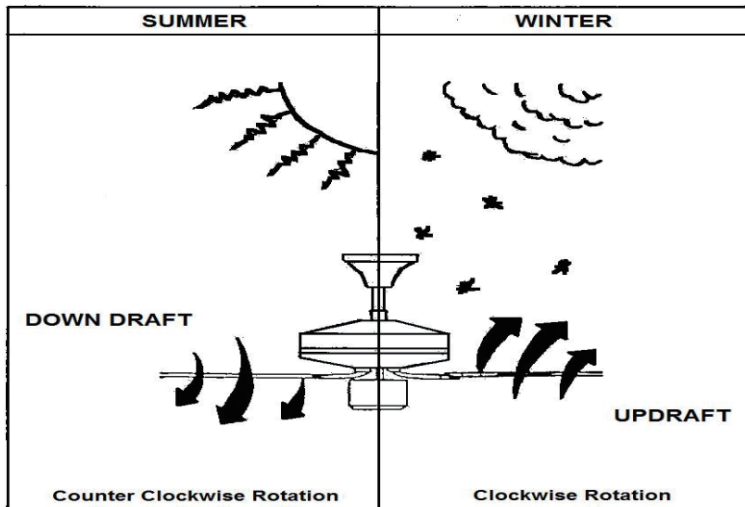
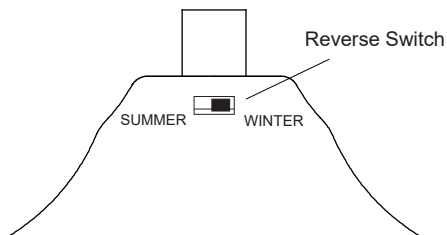
Note: Even if the fan is mounted with a minimum of 7 feet clearance from the trailing edge of the blades to the floor, be careful to avoid raising your arms or any object in the path of the blades.

REVERSING SWITCH

Your ceiling fan can operate either summer or winter mode.

SUMMER Mode: The reverse switch shall be in the "left" (SUMMER) position to make the fan rotate in an anticlockwise direction. The airflow will be directed downwards, for cooling in summer.

WINTER Mode: The reverse switch shall be in the "right" (WINTER) position to make the fan rotate in a clockwise direction. The airflow will be directed upwards assisting in the circulation of warm air, for energy conservation in winter.



TROUBLESHOOTING

WARNING: Failure to disconnect power supply prior to troubleshooting any wiring issues may result in serious injury.

Problem	Solutions
Fan will not start.	<ul style="list-style-type: none">- Check circuit fuses or breakers.- Check line wire connections to the fan and switch wire connections in the switch housing.
Fan sounds noisy.	<ul style="list-style-type: none">- Make sure all motor housing screws are snug.- Make sure the screws that attach the fan blade bracket to the motor hub is tight.- Make sure wire nut connections are not rubbing against each other or the interior wall of the switch housing.- Allow a 24-hour "breaking-in" period. Most noise associated with a new fan disappear during this time.- If using an optional light kit, make sure the screws securing the glassware are tight. Check that light bulb is also secure.- Some fan motors are sensitive to signals from solid-state variable speed controls. If you have installed this type of control, choose and install another type of control.- Make sure the upper canopy is a short distance from the ceiling. It should not touch the ceiling.
Fan wobbles	<ul style="list-style-type: none">- Check that all blade and blade arm screws are secure.- Most fan wobbling problems are caused when blade levels are unequal. Check this level by selecting a point on the ceiling above the tip of one of the blades. Measure this distance. Rotate the fan until the next blade is positioned for measurement. Repeat for each blade. The distance deviation should be equal within 1/8".- Use the enclosed Blade Balancing Kit if the blade wobble is still noticeable.- If the blade wobble is still noticeable, interchanging two adjacent (side by side) blades can redistribute the weight and possibly result in smoother operation.

CARE OF YOUR FAN

Here are some suggestions to help you maintain your fan.

1. Because of the fan's natural movement, some connections may become loose. Check the support connections, brackets, and blade attachments twice a year. Make sure they are secure. (It is not necessary to remove fan from ceiling.)
2. Clean your fan periodically to help maintain its new appearance over the years. Use only a soft brush or lint-free cloth to avoid scratching the finish. The plating is sealed with a lacquer to minimize discoloration or tarnishing. Do not use water when cleaning. This could damage the motor, or the wood, or possibly cause an electrical shock.
3. You can apply a light coat of furniture polish to the wood blades for additional protection and enhanced beauty. Cover small scratches with a light application of shoe polish.
4. There is no need to oil your fan. The motor has permanently lubricated bearings.



RP | LIGHTING · FANS

www.rplighting.com
4931 Paseo Del Norte NE
Albuquerque, NM 87113
1-800.937.6925