



**Ceiling Fan Owner's Manual**  
**Read and Save These Instructions**

FOR FAN MODELS:

1052  
1051

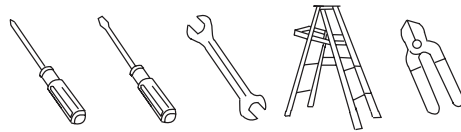


## TABLE OF CONTENTS

Tools and Materials Required.....	1
Unpacking Your Fan .....	1
Safety Rules.....	2
Mounting Options.....	3
Hanging the Fan .....	4-5
Making Electrical Connections.....	6
Finishing the Installation.....	7
Attaching the Fan Blades.....	8
Operating Your Fan .....	9
Care of Your Fan.....	10
Troubleshooting.....	10

# 1. TOOLS AND MATERIALS REQUIRED

- Philips screw driver
- Blade screw driver
- 11 mm wrench
- Step ladder
- Wire cutters



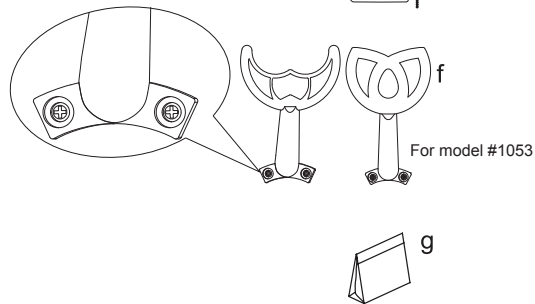
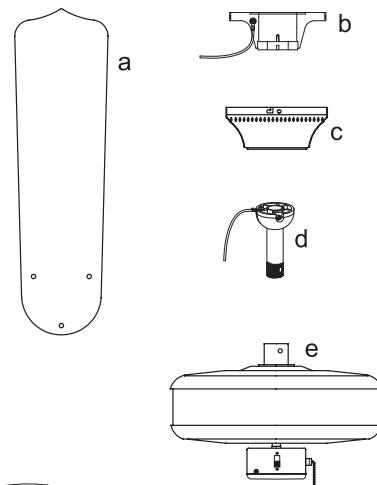
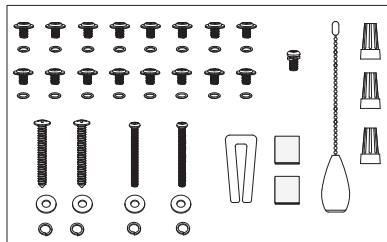
# 2. PACKAGE CONTENTS

Unpack your fan and check the contents. You should have the following items:

Parts	Quantity
a. Blade set	5
b. Hanger bracket	1
c. Canopy	1
d. Downrod/ ball assembly	1
e. Fan motor/ housing assembly	1
f. Blade bracket set	5

**g. Screw Package**

- 1) Mounting hardware :  
 wood screws (2) , washers (2)  
 hanger bracket screws (2) & washers (2)  
 wire nuts (3)
- 2) Blade attachment hardware:  
 screws (16), fiber washers (16)  
 spare screw (1) for blade bracket
- 3) Pull chain and knob (1)
- 4) Balance Kit (1)



### 3. SAFETY RULES

1. To reduce the risk of electric shock, insure electricity has been turned off at the circuit breaker or fuse box before beginning.
2. All wiring must be in accordance with the National Electrical Code and local electrical codes. Electrical installation should be performed by a qualified licensed electrician.
3. **WARNING:** To reduce the risk of electrical shock and fire, do not use this fan with any solid-state fan speed control device.
4. **WARNING:** To reduce the risk of personal injury, use only the two steel screws (and lock washers) provided with the outlet box for mounting to the outlet box. Most outlet boxes commonly used for the support of lighting fixtures are not acceptable for fan support and may need to be replaced, consult a qualified electrician if in doubt.
7. Do not operate reversing switch while fan blades are in motion. Fan must be turned off and blades stopped before reversing blade direction.
8. Avoid placing objects in the path of the blades.
9. To avoid personal injury or damage to the fan and other items, be cautious when working around or cleaning the fan.
10. Do not use water or detergents when cleaning the fan or fan blades. A dry dust cloth or lightly dampened cloth will be suitable for most cleaning.
11. After marking electrical connections, spliced conductors should be turned upward and pushed carefully up into outlet box. The wires should be spread apart with the grounded conductor and the equipment-grounding conductor on one side of the outlet box.

**WARNING**  
**TO REDUCE THE RISK OF FIRE, ELECTRIC SHOCK OR PERSONAL INJURY, MOUNT FAN TO OUTLET BOX MARKED "ACCEPTABLE FOR FAN SUPPORT".**

5. The outlet box and support structure must be securely mounted and capable of reliably supporting a minimum of 50 pounds. Use only UL Listed outlet boxes marked "FOR FAN SUPPORT".
6. The fan must be mounted with a minimum of 7 feet clearance from the trailing edge of the blades to the floor.

12. Electrical diagrams are reference only. Light kit that are not packed with the fan must be UL Listed and marked suitable for use with the model fan you are installing. Switches must be UL General Use Switches. Refer to the Instructions packaged with the light kits and switches for proper assembly.

**WARNING**  
**TO REDUCE THE RISK OF PERSONAL INJURY, DO NOT BEND THE BLADE BRACKETS (ALSO REFERRED TO AS FLANGES) DURING ASSEMBLY OR AFTER INSTALLATION. DO NOT INSERT OBJECTS IN THE PATH OF THE BLADES.**

## 4. MOUNTING OPTIONS

If there isn't an existing UL listed mounting box, then read the following instructions. Disconnect the power by removing fuses or turning off circuit breakers.

Secure the outlet box directly to the building structure. Use appropriate fasteners and building materials. The outlet box and its support must be able to fully support the moving weight of the fan (at least 50 lbs). Do not use plastic outlet boxes.

Figures 1,2 and 3 are examples of different ways to mount the outlet box.

**Note:** You may need a longer downrod to maintain proper blade clearance when installing on a steep, sloped ceiling. (Fig. 3)

**\*Slop Ceiling Adapter sold separately.**

To hang your fan where there is an existing fixture but no ceiling joist, you may need an installation hanger bar as shown in Figure 4.

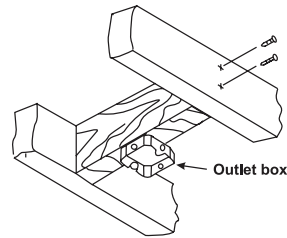


Figure 1

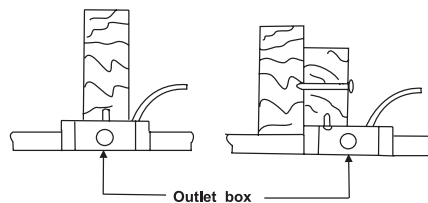


Figure 2

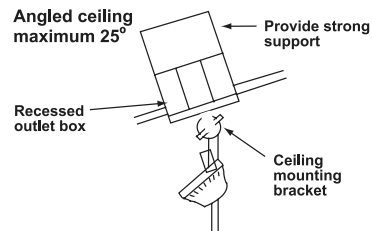


Figure 3

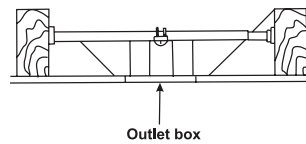


Figure 4

## 5. HANGING THE FAN

**REMEMBER** TO TURN OFF THE POWER. Follow the steps below to hang your fan properly. **NOTE:** This ceiling fan is supplied with two types of hanging assemblies; the standard ceiling installation using the downrod with ball and hanger bracket and the "close-to-ceiling" installation. The "close-to-ceiling" installation is recommended in rooms with less than 8-foot ceilings or in areas where additional space is desired from the floor to the fan blades.

### STANDARD CEILING INSTALLATION

#### Step 1.

Secure the hanger bracket to the ceiling outlet box using screws and washers included with mounting hardware. (Fig. 5)

**Step 2.** Loosen two set screws and remove the hitch pin and lock pin from the top coupler of the motor assembly.

**Step 3.** Loosen ball screw to free cross pin and remove ground screw, and remove the cross pin and slide ball off the rod.

**Step 4.** Carefully feed fan wires up through the downrod. Thread the rod into the coupler, make sure the wires do not get twisted. Align holes and replace hitch pin and lock pin, then tighten set screws firmly against downrod.

**Step 5.** Place canopy over downrod. Reinstall hanging ball into the rod being sure the cross pin is inserted through the rod, wires are not twisted, tighten set screw and ground screw.

**Step 6.** Lift motor/housing assembly and place hanging ball onto hanger bracket. Rotate until the check groove has dropped into the notch of the hanging ball and seats firmly. ( Fig. 7)

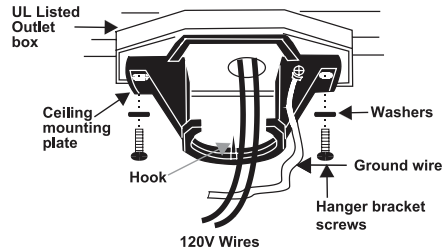


Figure 5

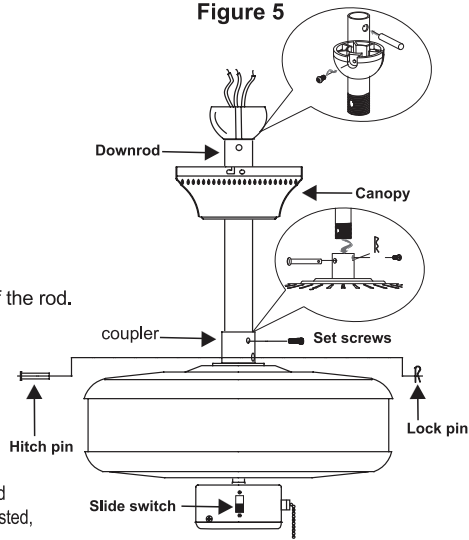


Figure 6

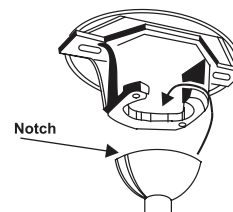


Figure 7

## CLOSE-TO-CEILING INSTALLATION

1. Remove the decorative canopy bottom cover from the canopy by depressing the three studs (Fig. 8)
2. Pass the 120-volt supply wires through the center hole in the ceiling hanger bracket as shown in Fig. 5.
3. Secure the hanger bracket to the ceiling outlet box with the screws and washers provided.
4. Place the ceiling canopy over the collar at the top of the motor. Align the mounting holes with the holes in the motor and fasten using the screws and lock washers provided (Fig. 9).
5. Tighten the mounting screws securely. (Fig. 9)

**WARNING:** Failure to completely tighten the three screws in step 5 could result in fan loosening and possibly falling.

6. Hang the fan on the hook of the hanger bracket. Be certain that the canopy is fully locked into hook as shown in (Fig.10). This will allow you to make the electrical connections.

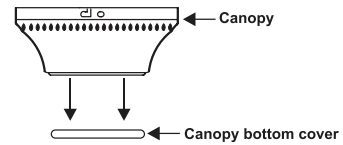


Figure 8

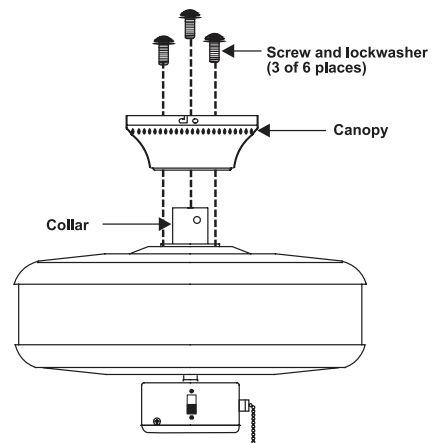


Figure 9

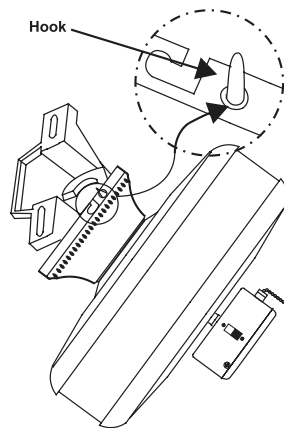


Figure 10

## 6. MAKING ELECTRICAL CONNECTIONS

### BEFORE YOU BEGIN, TURN OFF THE ELECTRICITY.

Follow the steps below to connect the fan to your household wiring. Use the wire connecting nuts supplied with your fan.

**Step 1.** Connect Black(Hot) fan wire to Black outlet wire, white (Neutral) fan wire to white outlet wire.

Connect green or bare copper wire from outlet box to the hanger bracket and downroll ball green ground wires together. ( Figure 11)

If an additional blue lite kit wire is present, then also connect the blue wire to black wire.

Secure all connections with electrical tape.

Make sure there are no loose strands or connections.

**Step 2.** After completing wiring connections, turn all splices upward and carefully push into outlet box. Separate blue and black wires on one side of the outlet box, the white and green wires on the other side.

**Figures 12 & 13** illustrate the wiring connections for optional wall control (The wire color out of wall control may vary, see wall control's installation manual for correct wire connections.)

**WARNING:** TO REDUCE THE RISK OF FIRE, ELECTRIC SHOCK, OR OTHER PERSONAL INJURY. MOUNT FAN ONLY ON AN OUTLET BOX OR SUPPORTING SYSTEM MARKED ACCEPTABLE FOR FAN SUPPORT.

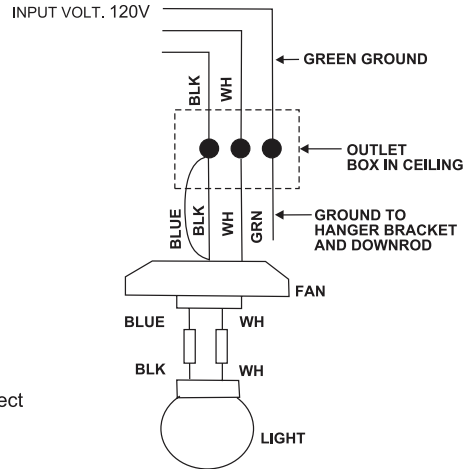


Figure 11

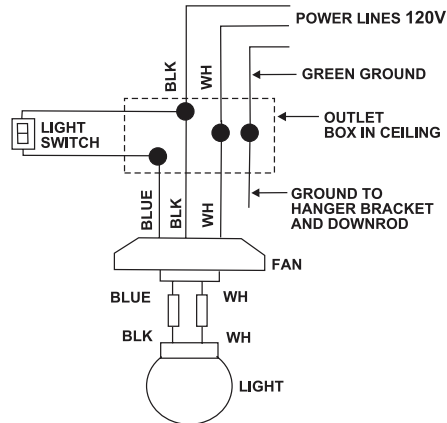


Figure 12

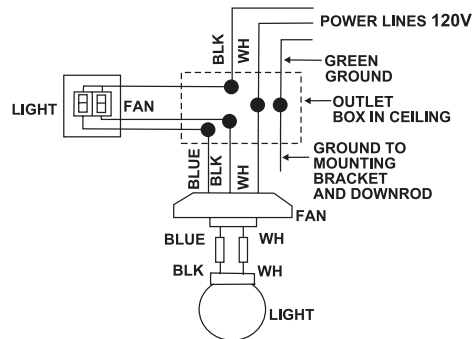


Figure 13



## 7. FINISHING THE INSTALLATION

### STANDARD CEILING INSTALLATION

Tuck all connections neatly into ceiling outlet box. Remove two screws from the hanger bracket and loosen the other two screws around 1/4". Attach canopy to hanger bracket by placing screws into slot in canopy. Twist clockwise to lock in place, tighten four screws firmly. (Fig. 14)

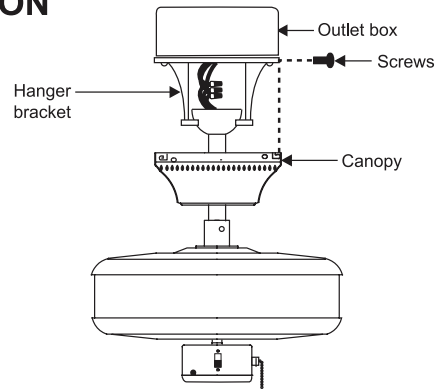


Figure 14

### CLOSE-TO-CEILING INSTALLATION

Remove the fan from the hook on the hanger bracket. Secure the canopy to the hanger bracket by placing screws into slot in canopy. Twist clockwise to lock in place, tighten four screws firmly. (Fig. 15)

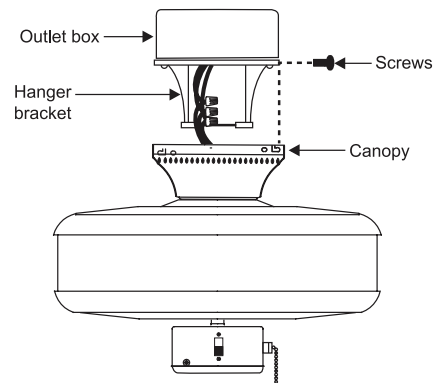


Figure 15

## 8. FAN BLADES ASSEMBLY AND BLADE BRACKET INSTALLATION

Remove rubber motor stoppers before attaching fan blade brackets.

**Step 1.** Attach each fan blade to a blade bracket with three screws and fiber washers.  
**Tighten screws securely, do not overtighten.**

**Step 2.** Fasten each blade assembly to motor by using two screws attached to the blade bracket.

**CAUTION-**  
**TO REDUCE THE RISK OF PERSONAL INJURY, DO NOT BEND THE BLADE BRACKETS WHEN INSTALLATION.**  
**WHEN BALANCING THE BLADES, OR CLEANING THE FAN, DO NOT INSERT FOREIGN OBJECTS IN BETWEEN ROTATING FAN BLADES.**

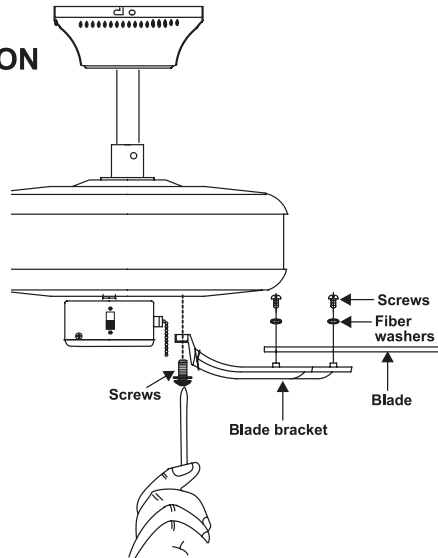


Figure 16

## 9. OPERATING YOUR FAN

Turn on the power and check the operation of your fan. The pull chain controls the fan speed as follows:

- 1 pull- High, 2 pulls- Medium, 3 pulls- Low, and 4 pulls- Off.

Speed settings for warm or cool weather depend on factors such as the room size, ceiling height, number of fans, and so on.

The slide reverse switch controls directions: forward (switch down) or reverse (switch up).

**NOTE:** *Wait for fan to stop before changing the setting of the slide switch.*

Warm Weather (Forward) - A downward airflow creates a cooling effect as shown in Fig. 17. This allows you to set your air conditioner on a warmer setting without affecting your comfort.

Cool Weather (Reverse) - An upward airflow moves warm air off the ceiling area as shown in Fig. 18. This allows you to set your heating unit on a cooler setting without affecting your comfort.

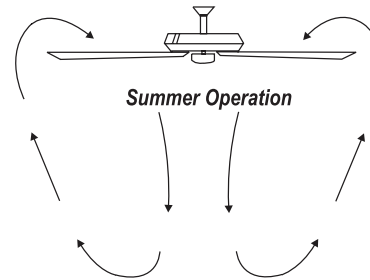


Fig. 17

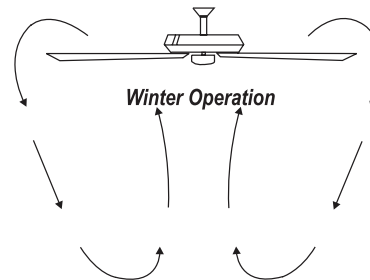


Fig. 18

## 10. CARE OF YOUR FAN

Here are some suggestions to help you maintain your fan

1. Because of the fan's natural movement, some connections may become loose. Check the support connections, brackets, and blade attachments twice a year. Make sure they are secure. (It is not necessary to remove fan from ceiling.)
2. Clean your fan periodically to help maintain its new appearance over the years. Use only a soft brush or lint-free cloth to avoid scratching the finish. The plating is sealed with a lacquer to minimize discoloration or tarnishing. Do not use water when cleaning. This could damage the motor, or the wood, or possibly cause an electrical shock.
3. You can apply a light coat of furniture polish to the wood blades for additional protection and enhanced beauty. Cover small scratches with a light application of shoe polish.
4. There is no need to oil your fan. The motor has permanently lubricated bearings.

**IMPORTANT:** MAKE SURE THE POWER IS OFF AT THE ELECTRICAL PANEL BOX BEFORE YOU ATTEMPT ANY REPAIRS. REFER TO THE SECTION "MAKING ELECTRICAL CONNECTIONS".

## 11. TROUBLESHOOTING

Problem	Solution
Fan will not start.	<ol style="list-style-type: none"><li>1. Check circuit fuses or breakers.</li><li>2. Check line wire connections to the fan and switch wire connections in the switch housing. <b>CAUTION:</b> Make sure main power is off.</li></ol>
Fan sounds noisy.	<ol style="list-style-type: none"><li>1. Make sure all motor housing screws are snug.</li><li>2. Make sure the screws that attach the fan blade bracket to the motor hub is tight.</li><li>3. Make sure wire nut connections are not rubbing against each other or the interior wall of the switch housing. <b>CAUTION:</b> Make sure main power is off.</li><li>4. Allow a 24-hour "breaking-in" period. Most noise associated with a new fan disappear during this time.</li><li>5. If using an optional light kit, make sure the screws securing the glassware are tight. Check that light bulb is also secure.</li><li>6. Some fan motors are sensitive to signals from solid-state variable speed controls. If you have installed this type of control, choose and install another type of control.</li><li>7. Make sure the upper canopy is a short distance from the ceiling. It should not touch the ceiling.</li></ol>