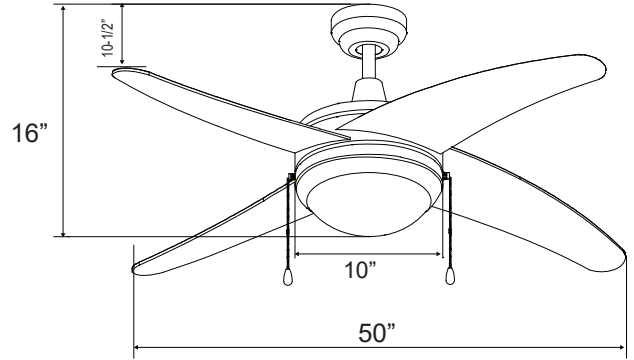


# 1007-E26-L

120V

|              |  |      |
|--------------|--|------|
| Catalog #:   |  | Type |
| Project:     |  | Date |
| Prepared by: |  |      |

## Europa I - 4-Curved Blade, 50" Sweep, E26 LED Light Kit Included



### DESCRIPTION

The clean lines and modern design of the Europa I Series add style to any contemporary space. The economical E26 LED light kit provides ample illumination and simplicity.

### DESIGN FEATURES

#### Motor

- 3-Speed | Reversible
- AC Motor | 153 x 15 mm motor | 3 capacitors
- RPM: High: 228 Low: 109
- 5300 CFM | 58.66 W | Efficiency = 90
- 76" Lead wire | 4" down rod included

#### Blades

- 4-curved blades, 50" sweep
- Blade Construction: Plywood<sup>1</sup>
- 12° blade pitch

#### Light Kit

- E26 light kit included
- 2 x 9W A19 LED | Dimmable | 3000K | lamps included
- Shade: Satin white glass
- Replacement glass: 1079-G-E26

#### Dimensions

|                          |                    |                          |
|--------------------------|--------------------|--------------------------|
| 16"                      | 10"                | 10-1/2"                  |
| Height<br>(lowest point) | Width<br>(housing) | Height<br>(top of blade) |

<sup>1</sup>To avoid fan blade warping, fan must be installed in climate controlled environment

#### Controls:

- Pull Chain Standard
- Optional Remote Control (sold separately) RC-10
- Optional Wall Control (sold separately) WC-4 | WC-8 | WC-13 | WC-16

#### Certifications

- cETLus Listed
- CEC JA8 Compliant
- Fan Motor: Lifetime Limited Warranty
- Lamps: 1 Year Limited Warranty
- Non-Electrical: 1 Year Limited Warranty

#### ORDERING GUIDE

Example: 1007WW-WW-E26-L

| Model # | Motor / Blade Finish   | Socket Base       | Light Kit                  |
|---------|--|-------------------|----------------------------|
| 1007    |  | -E26              | -L                         |
| 1007    | <b>BN-BN</b> : Brushed Nickel / Brushed Nickel<br><b>OB-OB</b> : Oil Rubbed Bronze / Oil Rubbed Bronze<br><b>BK-BK</b> : Black / Black<br><b>WW-WW</b> : White / White | -E26: socket base | -L: E26 LED lamps included |



Intertek

Fan Motor

Lamps & Non Electrical

TEL: 800.937.6925 | Fax: 800.207.9509 | [www.rplighting.com](http://www.rplighting.com)

Specifications and dimensions subject to change without notice.

5/11/21 R1



LIGHTING · FANS

1007-E26-L - 4-Curved Blades, 50" Sweep