

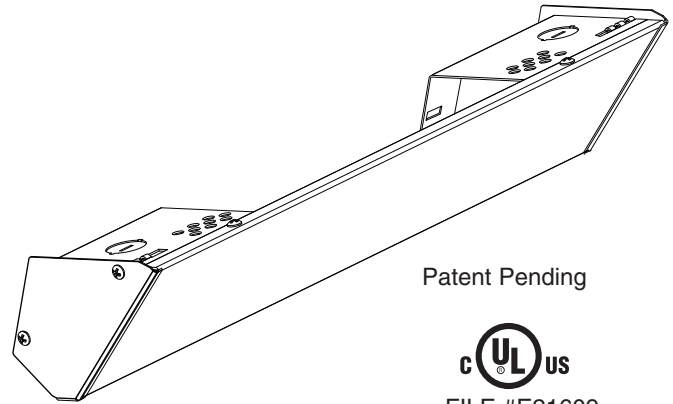


Marley

Engineered Products

COVE HEATER

Model D



Patent Pending



FILE #E21609

Installation & Maintenance Instructions

WARNING

Read Carefully - These instructions are written to help you prevent difficulties that might arise during installation of heaters. Studying the instructions first may save you considerable time and money later. Observe the following procedures, and cut your mounting time to a minimum. TO REDUCE RISK OF FIRE OR ELECTRIC SHOCK:

1. Disconnect all power coming to heater at main service panel before wiring or servicing.
2. All wiring must be in accordance with the National and Local Electrical Codes and the heater must be grounded.
3. Verify the power supply voltage coming to heater matches the ratings printed on the heater nameplate before energizing.
4. This heater is hot when in use. To avoid burns, do not let bare skin touch hot surfaces.
5. Do not insert or allow foreign objects to enter any ventilation or exhaust opening as this may cause an electric shock, fire, or damage to the heater.
6. Do not block air intakes or exhaust in any manner. Keep combustible materials, such as crates, drapes, etc., away from heater. Do not install behind door, furniture, towels, or boxes.
7. A heater has hot and arcing or sparking parts inside. Do not use it in areas where gasoline, paint, or flammable liquids are used or stored.
8. Use this heater only as described in this manual. Any other use not recommended by the manufacturer may cause fire, electric shock, or injury to persons.
9. This heater is not approved for use in corrosive atmospheres such as marine, green house, or chemical storage areas.

CAUTION

1. THE HEATER MUST BE MOUNTED AT LEAST 6' (182.8 cm) or (1.83 m) ABOVE THE FLOOR TO PREVENT ACCIDENTAL CONTACT.
2. TO PREVENT POSSIBLE OVERHEATING OR DAMAGE DUE TO OVERHEATING, REFER TO FIGURES 1 AND 4 FOR SIDE, TOP, AND BOTTOM CLEARANCE REQUIREMENTS.

GENERAL

When installing 2 or more heaters along one wall:

1. Mount heaters allowing adequate spacing between heaters as shown in Table 1.
2. Install optional RCCSPC Splice Plate (if desired) per instructions provided with RCCSPC.

When mounting heaters end to end add the "maximum allowable expansion" of each heater and provide that clearance from end to end of units. See Table 1.

Table 1

WATTS	MAXIMUM ALLOWABLE EXPANSION	MOUNTING SLOT DISTANCE (CTR-CTR)
450	1/8" (4mm)	27.75" (705mm)
600	1/4" (7mm)	40.75" (1,035mm)
750	1/2" (13mm)	52.75" (1,340mm)
900	3/4" (19mm)	64.75" (1,645mm)
1050	7/8" (23mm)	76.75" (1,949mm)
1200	1-1/8" (29mm)	87.75" (2,229mm)
1500	1-3/8" (35mm)	111.75" (2,838mm)
1800	1-1/2" (38mm)	125.75" (3,194mm)

MOUNTING THE HEATER

For 450 to 1200 Watt Heaters:

1. Select correct mounting distance from the ceiling material per Figure 1. Using Table 1, determine the center to center distance of the end wall brackets for the particular model (wattage) to be mounted. Divide this value by 2 to determine the approximate location to mount the center wall bracket. Mark these locations on the chosen wall. Locate a stud nearest the center wall bracket mark. Use this stud for the bracket location. (Disregard original mark mentioned above) Assemble end wall brackets as shown in Figure 3.
2. Using the template (provided), align the top of the template with the ceiling and the center of the pre-punched holes with the bracket marks on the wall. Choosing the proper (end or middle) bracket location holes, mark the bracket pilot hole locations using the selected pre-punched holes provided on the template. With the fasteners provided, mount the assembled end wall brackets and center wall bracket to the wall. Using a tape measure, determine the distance between the center (slot) of the left end wall bracket and the hook of the center wall bracket. Add 3-5/8 inches (92 mm) to this value and record it for center support bracket location on the cove heater.
3. Orient the cove heater face down on a protective flat surface. Using the value recorded in step 2, measure this distance from the left end of the cove heater and mark this location on the back surface of the panel. Slide the center support bracket to the marked position on the panel, aligning the center of the bracket with this mark.

SAVE THESE INSTRUCTIONS

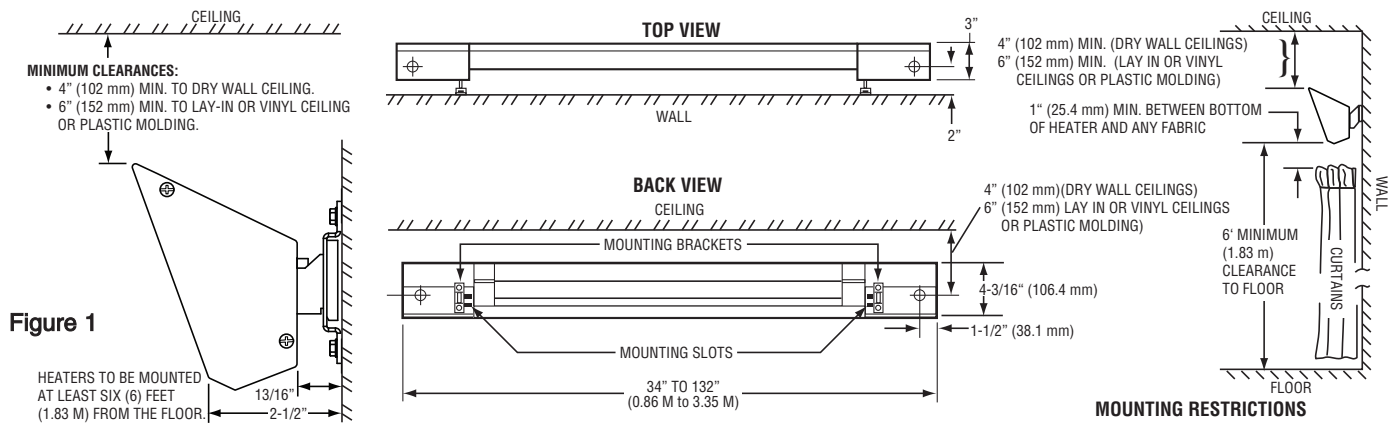


Figure 1

HEATERS TO BE MOUNTED AT LEAST SIX (6) FEET (1.83 M) FROM THE FLOOR.

MOUNTING THE HEATER (Continued)

- To mount cove heater, attach center support bracket to the center wall bracket by tilting the heater back and allowing the upper slot to fall onto the bracket hook per Figure 2. Attach the junction boxes to the end wall brackets in a similar manner. Bring the cove heater forward to lock into place.

For 1500 to 1800 Watt Heaters:

The 1500 & 1800 watt cove heaters require the additional support of (2) center wall brackets due to the extra length. The mounting steps are similar to the 450 to 1200 watt cove heater with the following exceptions:

- After the approximate center location between the end wall brackets has been determined, measure 30 inches (762 mm) on each side of this location to determine the approximate location to mount the center wall brackets. Locate a stud nearest each mark. Use these studs for the center wall bracket locations. (Disregard original 30 inch location marks)
- Using the provided template, align the top of the template with the ceiling and the center of the pre-punched holes with the bracket marks on the wall. Choosing the proper bracket location holes, mark the bracket pilot hole locations using the selected pre-punched holes provided on the template. With the fasteners provided, mount the assembled end wall brackets and center wall brackets to the wall. Measure the distance between the center (slot) of the left end wall bracket and the hook of the left center wall bracket. Add 3-5/8 inches (92 mm) to this (left end) value and record it for the left center support bracket location on the cove heater. Determine the distance between the center of the right end wall bracket and the hook of the right center wall bracket. Add 3-5/8 inches (92 mm) to this (right end) value and record it for the right center support bracket placement on the cove heater.
- Orient the cove heater face down on a protective flat surface. Using the left end value recorded in step 2, measure this distance from the left end of the cove heater and mark this location on the back surface of the panel. Using the right end value recorded in step 2, measure this distance from the right end of the cove heater and mark this location on the back surface of the panel. Slide the center support brackets to the marked positions on the panel, aligning the center of the brackets with each mark.
- To mount cove heater, attach center support brackets to the center wall brackets by tilting the heater back and allowing the upper slot to fall onto the bracket hook per Figure 2. Attach the junction boxes to the end wall brackets in a similar manner. Bring the cove heater forward to lock into place.
- The cove heater can be wired from either end of the heater. Install a cable clamp (supplied by others) in one of the knockouts located in back of the junction boxes you plan to use. Insert the power supply cable through the cable clamp allowing approximately 6" (152mm) of cable length to remain inside the box to facilitate wiring. Add at least 2 inches of cable loop between wall and knockout entering the junction box to allow for heater expansion.

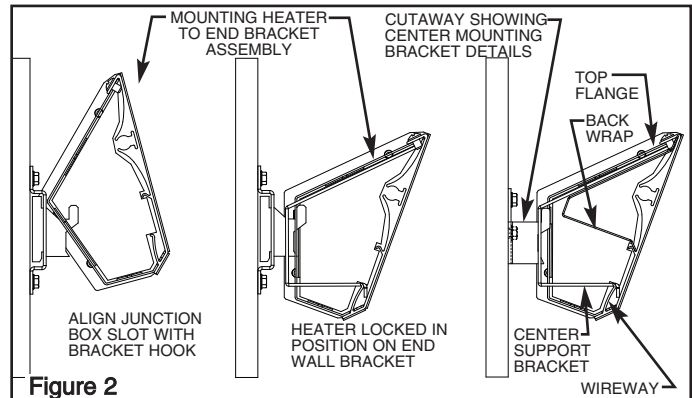


Figure 2

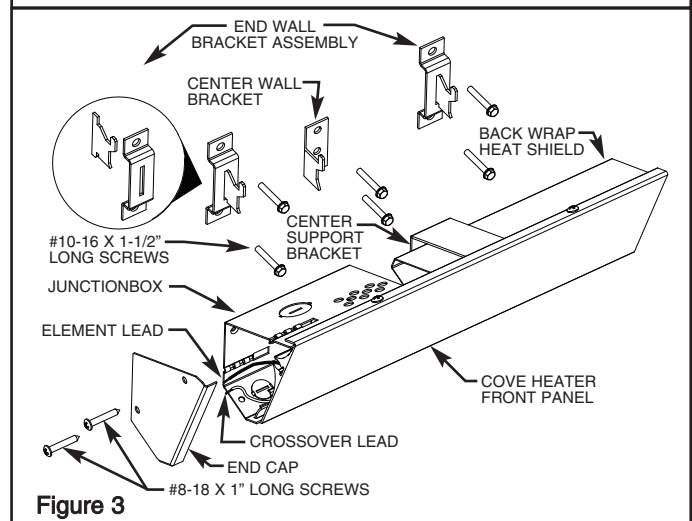


Figure 3

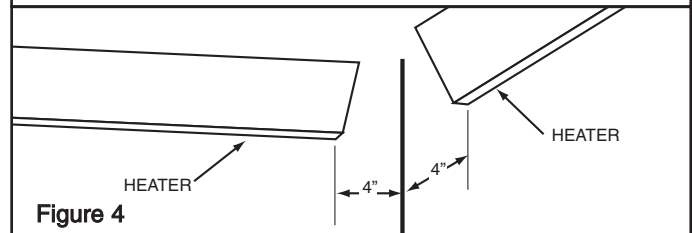


Figure 4

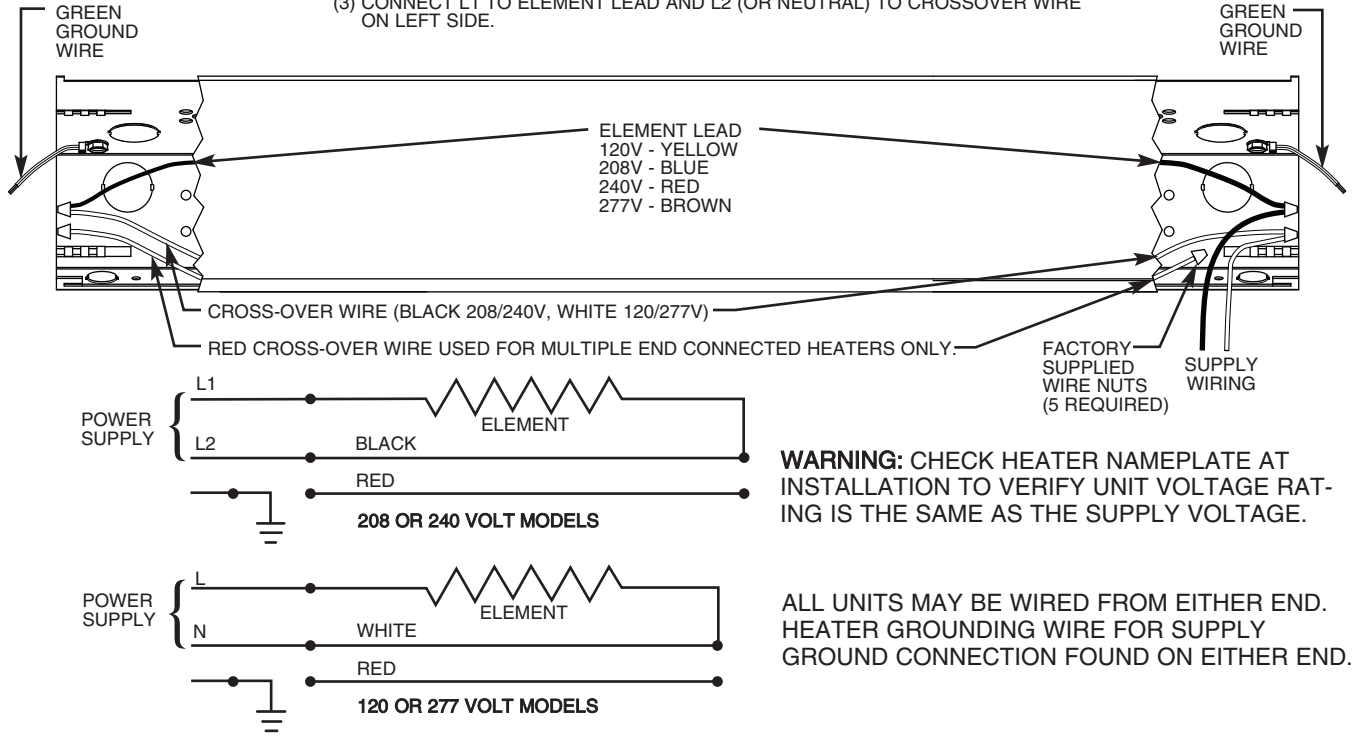
- Refer to wiring diagrams on next page.
- Attach end caps (found in parts bag) as shown in Figure 3.

INSTALLATION AT CORNER

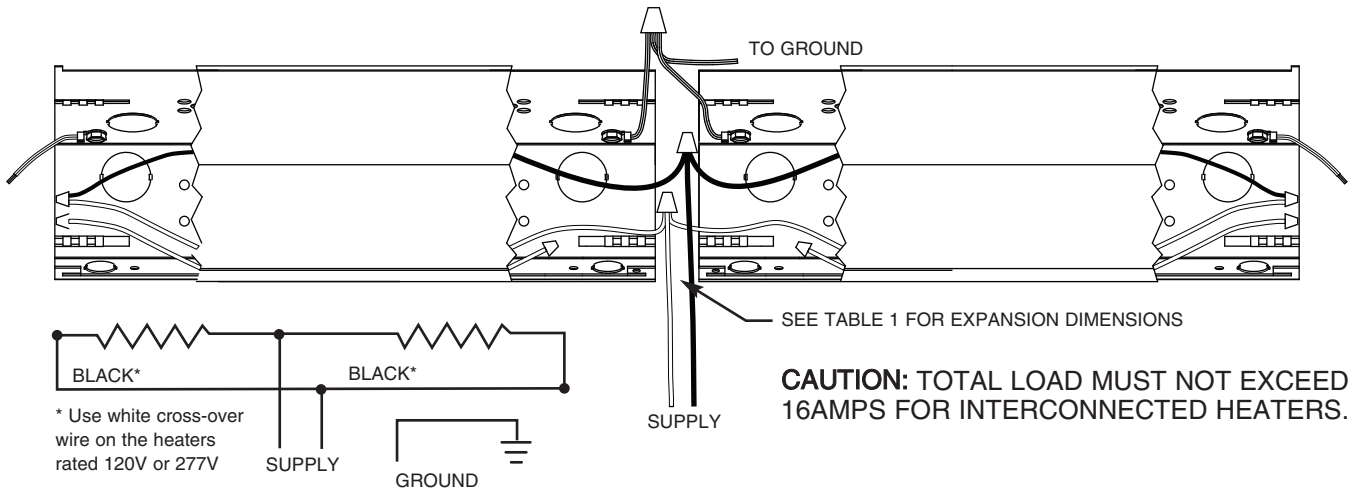
- Heaters must be located so that the ends of each heater are 4 inches (102 mm) from side wall. See Figure 4.

SINGLE UNIT WIRING – SUPPLY IN MIDDLE

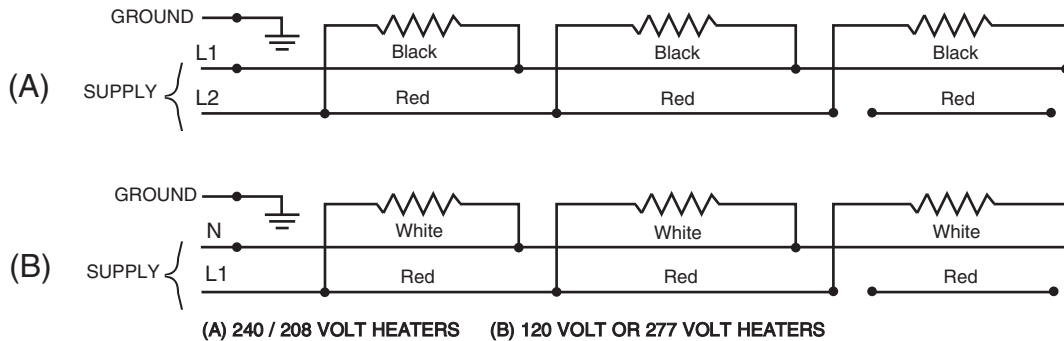
RIGHT HAND FIELD CONNECTION SHOWN. TO WIRE ON LEFT HAND SIDE:
 (1) SEPARATE ELEMENT LEAD FROM CROSS-OVER WIRE ON LEFT SIDE.
 (2) USING WIRE NUT, CONNECT LEAD WIRE TO CROSS-OVER WIRE ON RIGHT SIDE.
 (3) CONNECT L1 TO ELEMENT LEAD AND L2 (OR NEUTRAL) TO CROSSOVER WIRE ON LEFT SIDE.



TWO UNIT WIRING – SUPPLY IN MIDDLE



TWO OR MORE HEATERS – SUPPLY AT END



(A) 240 / 208 VOLT HEATERS (B) 120 VOLT OR 277 VOLT HEATERS
 FOR GROUND CONTINUITY BETWEEN ADJACENT HEATERS USE GROUND WIRE PROVIDED.
 SEE NOTES ABOVE FOR TWO UNIT WIRING – SUPPLY IN MIDDLE.

Figure 5. Heater Wiring

IMPORTANT INFORMATION

REPLACEMENT PARTS

Elements and aluminum extrusions are not replaceable. Due to the intrinsic design of the cove heater, we are unable to furnish elements, extrusions, wires, back shields, and junction boxes as replaceable parts, however, the following parts kits are available.

Part Kit 1. Part number 3303-2032-000 for white cove heaters.

Part Kit 2. Part number 3303-2032-001 for Dove Grey cove heaters.

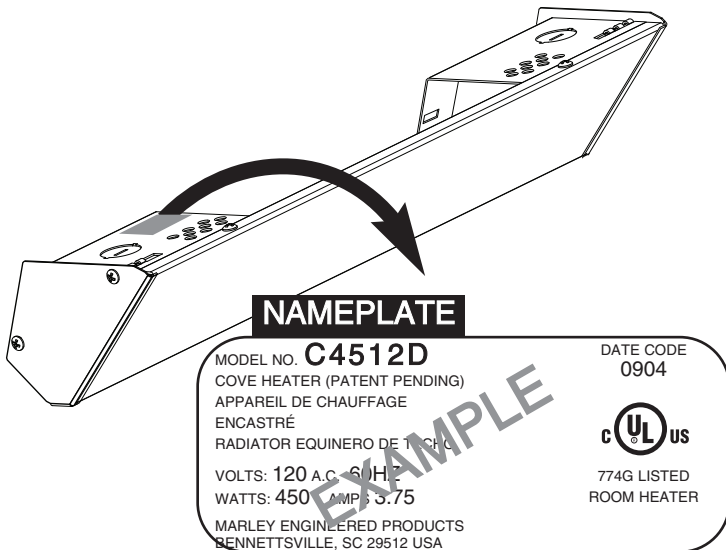
Part Kit 3. Part number 3303-2032-002 for Desert Tan cove heaters.

The above kit contains end caps, end brackets, center bracket, mounting template, and mounting hardware.

ACCESSORIES (Optional)

RCCT Integral Thermostat: Range 45-90°F with positive off.

RCSPC Splice Plate Assembly.



Specifications

Model No.	Watts	Voltage	Amps	Length (Inches)
C4508D	450W	208V	2.2	34
C4512D		120V	3.7	34
C4524D		240V	1.9	34
C6008D	600W	208V	2.9	47
C6012D		120V	5.0	47
C6024D		240V	2.5	47
C6027D		277V	2.2	47
C7508D	750W	208V	3.6	59
C7512D		120V	6.2	59
C7524D		240V	3.1	59
C7527D		277V	2.7	59
C9008D	900W	208V	4.3	71
C9012D		120V	7.5	71
C9024D		240V	3.7	71
C9027D		277V	3.2	71
C10508D	1050W	208V	5.0	83
C10512D		120V	8.8	83
C10524D		240V	4.4	83
C10527D		277V	3.8	83
C12008D	1200W	208V	5.8	94
C12012D		120V	10.0	94
C12024D		240V	5.0	94
C12027D		277V	4.3	94
C15008D	1500W	208V	7.2	118
C15024D		240V	6.2	118
C15027D		277V	5.4	118
C18008D	1800W	208V	8.7	132
C18024D		240V	7.5	132
C18027D		277V	6.5	132

LIMITED WARRANTY

All products manufactured by Marley Engineered Products are warranted against defects in workmanship and materials for one year from date of installation, except heating elements which are warranted against defects in workmanship and materials for five years from date of installation. This warranty does not apply to damage from accident, misuse, or alteration; nor where the connected voltage is more than 5% above the nameplate voltage; nor to equipment improperly installed or wired or maintained in violation of the product's installation instructions. All claims for warranty work must be accompanied by proof of the date of installation.

The customer shall be responsible for all costs incurred in the removal or reinstallation of products, including labor costs, and shipping costs incurred to return products to Marley Engineered Products Service Center. Within the limitations of this warranty, inoperative units should be returned to the nearest Marley authorized service center or the Marley Engineered Products Service Center, and we will repair or replace, at our option, at no charge to you with return freight paid by Marley. It is agreed that such repair or replacement is the exclusive remedy available from Marley Engineered Products.

THE ABOVE WARRANTIES ARE IN LIEU OF ALL OTHER WARRANTIES EXPRESSED OR IMPLIED, AND ALL IMPLIED WARRANTIES OF MERCHANTABILITY AND FITNESS FOR A PARTICULAR PURPOSE WHICH EXCEED THE AFORESAID EXPRESSED WARRANTIES ARE HEREBY DISCLAIMED AND EXCLUDED FROM THIS AGREEMENT. MARLEY ENGINEERED PRODUCTS SHALL NOT BE LIABLE FOR CONSEQUENTIAL DAMAGES ARISING WITH RESPECT TO THE PRODUCT, WHETHER BASED UPON NEGLIGENCE, TORT, STRICT LIABILITY, OR CONTRACT.

Some states do not allow the exclusion or limitation of incidental or consequential damages, so the above exclusion or limitation may not apply to you. This warranty gives you specific legal rights, and you may also have other rights which vary from state to state.

For the address of your nearest authorized service center, contact Marley Engineered Products in Bennettsville, SC, at 1-800-642-4328. Merchandise returned to the factory must be accompanied by a return authorization and service identification tag, both available from Marley Engineered Products. When requesting return authorization, include all catalog numbers shown on the products.

HOW TO OBTAIN WARRANTY SERVICE AND WARRANTY PARTS PLUS GENERAL INFORMATION

- | | |
|--------------------------------|-------------------------|
| 1. Warranty Service or Parts | 1-800-642-4328 |
| 2. Purchase Replacement Parts | 1-800-654-3545 |
| 3. General Product Information | www.marlymep.com |

Note: When obtaining service always have the following:

1. Model number of the product
2. Date of manufacture
3. Part number or description

Part No. 5200-2668-005
ECR 39014
02/11



Marley

Engineered Products

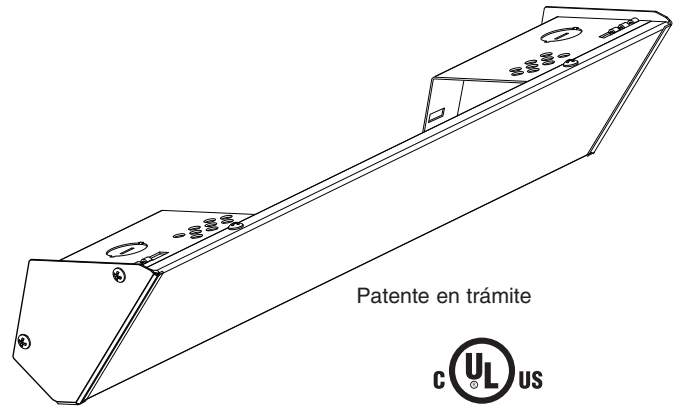
470 Beauty Spot Rd. East
Bennettsville, SC 29512 USA



Marley

Engineered Products

CALEFACTOR ESQUINERO DE TECHO Modelo D



Patente en trámite



REGISTRO N° E21609

Instrucciones de instalación y mantenimiento



ADVERTENCIA



Lea cuidadosamente – Estas instrucciones están escritas para ayudarlo a superar las dificultades que podrían aparecer durante la instalación de calefactores. El estudio previo de estas instrucciones puede ahorrarle considerable tiempo y dinero en el futuro. Observe los procedimientos que siguen, y reducirá el tiempo de montaje a un mínimo.

PARA REDUCIR EL RIESGO DE INCENDIO O CHOQUE ELÉCTRICO:

1. Antes de proceder a tareas de conexión o de reparación del calefactor, desconecte toda la alimentación eléctrica que llega al mismo desde el tablero principal de servicio.
2. Todo el conexionado debe hacerse de conformidad con los Códigos Eléctricos nacionales y locales, y el calefactor debe estar conectado a tierra.
3. Antes de aplicar alimentación eléctrica, verifique que la tensión de alimentación provista al calefactor sea compatible con la tensión nominal impresa en la placa de características del mismo.
4. Cuando está en funcionamiento, el calefactor está muy caliente. Para evitar quemaduras, no deje que su piel haga contacto directo con las superficies calientes.

5. No inserte ni permita que entren objetos extraños en ninguna abertura de ventilación o de descarga, porque esto puede ser causa de choque eléctrico, incendio o daño al calefactor.
6. No bloquee de ningún modo las entradas o la descarga de aire. Conserve los materiales combustibles como cajones, cortinados, etc., alejados del calefactor. No lo instale detrás de puertas, muebles, toalleros o cajas.
7. Un calefactor tiene en su interior piezas calientes, y piezas en donde se producen arcos o chispas. No lo utilice en áreas en las que se utilice o almacene gasolina, pintura o líquidos inflamables.
8. Utilice este calefactor únicamente en la forma prevista en este manual. Cualquier otra forma de uso no recomendada por el fabricante puede ser causa de incendio, choque eléctrico o daños personales.
9. Este calefactor no está aprobado para su uso en atmósferas corrosivas tales como áreas marítimas, invernaderos o lugares de almacenamiento de productos químicos.

ATENCIÓN

1. EL CALEFACTOR DEBE MONTARSE AL MENOS A 1,83 m (6") POR ENCIMA DEL PISO, PARA IMPEDIR CONTACTOS ACCIDENTALES.
2. PARA PREVENIR UN POSIBLE SOBRECALENTAMIENTO O DAÑOS DEBIDOS AL MISMO, OBSERVE LOS REQUISITOS DE ESPACIO LIBRE LATERAL, SUPERIOR E INFERIOR INDICADOS EN LAS FIGURAS 1 Y 4.

GENERALIDADES

Al instalar dos o más calefactores a lo largo de una pared:

1. Monte los calefactores dejando un espacio adecuado entre ellos, tal como lo indica la Tabla 1.
2. Si lo desea, puede instalar la Placa de Unión opcional RCCSPC siguiendo las instrucciones que se proveen con ella.

Al montar calefactores adyacentes (extremo a extremo), agregue la 'máxima expansión admisible' de cada calefactor, y prevea ese espacio libre entre los extremos de las unidades. Vea la Tabla 1.

Tabla 1

POTENCIA (WATTS)	MÁXIMA EXPANSIÓN ADMISIBLE	DISTANCIA ENTRE RANURAS DE MONTAJE (ENTRE CENTROS)
450	1/8" (4mm)	27.75" (705mm)
600	1/4" (7mm)	40.75" (1,035mm)
750	1/2" (13mm)	52.75" (1,340mm)
900	3/4" (19mm)	64.75" (1,645mm)
1050	7/8" (23mm)	76.75" (1,949mm)
1200	1-1/8" (29mm)	87.75" (2,229mm)
1500	1-3/8" (35mm)	111.75" (2,838mm)
1800	1-1/2" (38mm)	125.75" (3,194mm)

MONTAJE DEL CALEFACTOR

Para calefactores de 450 a 1200 watts:

1. Seleccione la distancia correcta de montaje para el material del cielorraso, de acuerdo con la Figura 1. Mediante la Tabla 1, determine la distancia entre centros de los soportes extremos de pared según la potencia en watts del modelo particular que se va a montar. Divida este valor por 2 para determinar la ubicación aproximada de montaje del soporte central de pared. Marque estas ubicaciones en la pared elegida. Localice un travesaño cercano a la marca para el soporte central de pared. Use este travesaño para la ubicación del soporte (no tenga en cuenta la marca original mencionada antes). Arme los soportes extremos de pared como se indica en la Figura 3.
2. Usando la plantilla provista, alinee el extremo superior de la misma con el cielorraso, y el centro de los agujeros preperforados con las marcas de los soportes sobre la pared. Eligiendo los agujeros adecuados de ubicación de los soportes (extremos y central), marque las ubicaciones de los agujeros de guía para los soportes usando los agujeros preperforados de la plantilla seleccionados. Con los sujetadores provistos, monte en la pared los soportes extremos armados y el soporte central. Mediante una cinta métrica, determine la distancia entre el centro (ranura) del soporte extremo de pared del lado izquierdo y el gancho del soporte central de pared. Agregue 92 mm (3-5/8 pulgadas) a este valor, y registre el resultado para la ubicación de la escuadra de soporte central en el calefactor.
3. Oriente el calefactor con el frente hacia abajo, sobre una superficie plana protectora. Usando el valor registrado en el paso 2, mida esta distancia desde el extremo izquierdo del calefactor y marque esta ubicación en la superficie del dorso del panel. Deslice la escuadra de soporte central hasta la posición marcada en el panel, alineando el centro del soporte con esta marca.

GUARDE ESTAS INSTRUCCIONES

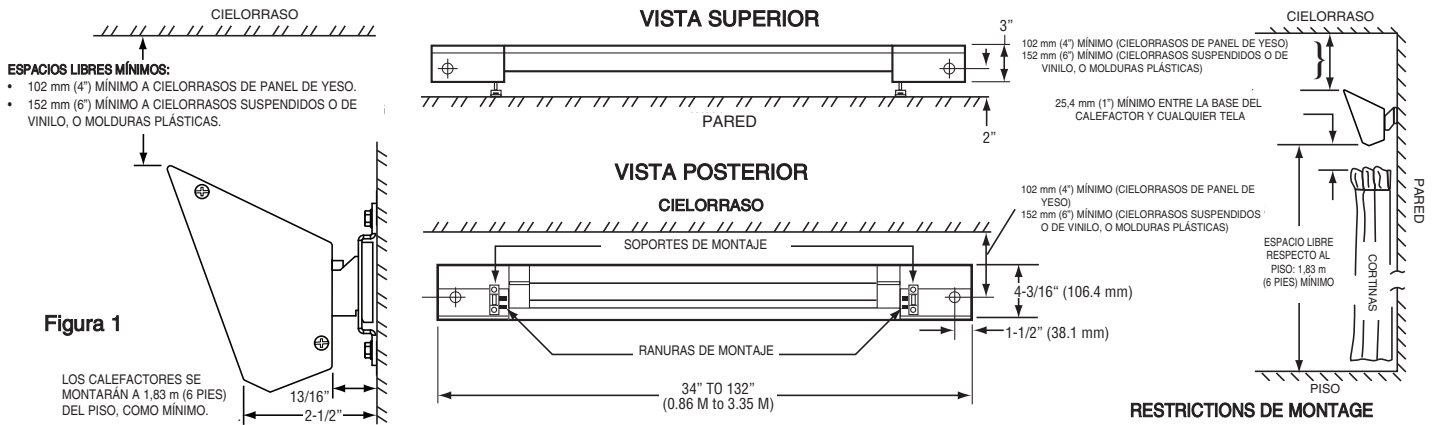


Figura 1

MONTAJE DEL CALEFACTOR (continuación)

4. Para montar el calefactor, fije la escuadra de soporte central al soporte central de pared inclinando el calefactor hacia atrás y haciendo que la ranura superior caiga sobre el gancho del soporte, según se indica en la Figura 2. Fije las cajas de conexiones a los soportes extremos de pared en forma similar. Lleve el calefactor hacia adelante, para fijarlo en su posición.

Para calefactores de 1500 a 1800 watts:

Los calefactores esquineros de techo de 1500 y 1800 watts necesitan dos (2) soportes centrales de pared adicionales, debido a su mayor longitud. Los pasos de montaje son similares a los de los calefactores de 450 a 1200 watts, con las excepciones siguientes:

1. Después de haber determinado la ubicación aproximada del centro entre los soportes extremos de pared, mida 762 mm (30 pulgadas) a cada lado de esta ubicación, para determinar el lugar aproximado de montaje de los soportes centrales de pared. Localice un travesaño cercano a cada marca. Use estos travesaños para la ubicación de los soportes centrales de pared (no tenga en cuenta las marcas originales de ubicación a 762 mm / 30 pulgadas).
2. Usando la plantilla provista, alinee el extremo superior de la misma con el cielorraso, y el centro de los agujeros preperforados con las marcas de los soportes sobre la pared. Eligiendo los agujeros adecuados de ubicación de los soportes, marque las ubicaciones de los agujeros de guía para los soportes usando los agujeros preperforados de la plantilla seleccionados. Con los sujetadores provistos, monte en la pared los soportes extremos armados y los soportes centrales. Mida la distancia entre el centro (ranura) del soporte extremo de pared del lado izquierdo y el gancho del soporte central de pared del lado izquierdo. Agregue 92 mm (3-5/8 pulgadas) a este valor (extremo izquierdo), y registre el resultado para la ubicación de la escuadra de soporte central izquierda en el calefactor. Determine la distancia entre el centro del soporte extremo de pared del lado derecho y el gancho del soporte central de pared del lado derecho. Agregue 92 mm (3-5/8 pulgadas) a este valor (extremo derecho), y registre el resultado para la ubicación de la escuadra de soporte central derecha en el calefactor.
3. Oriente el calefactor con el frente hacia abajo, sobre una superficie plana protectora. Usando el valor del extremo izquierdo registrado en el paso 2, mida esta distancia desde el extremo izquierdo del calefactor y marque esta ubicación en la superficie del dorso del panel. Usando el valor del extremo derecho registrado en el paso 2, mida esta distancia desde el extremo derecho del calefactor y marque esta ubicación en la superficie del dorso del panel. Deslice las escuadras de soporte central hasta las posiciones marcadas en el panel, alineando el centro de los soportes con cada marca.
4. Para montar el calefactor, fije las escuadras de soporte central a los soportes centrales de pared inclinando el calefactor hacia atrás y haciendo que la ranura superior caiga sobre el gancho del soporte, según se indica en la Figura 2. Fije las cajas de conexiones a los soportes extremos de pared en forma similar. Lleve el calefactor hacia adelante, para fijarlo en su posición.
5. El calefactor esquinero puede conectarse desde cualquiera de sus extremos. Instale una abrazadera para cables (suministrada por terceros) en alguno de los prepunzonados ubicados en la parte posterior de las cajas de conexiones que va a utilizar. Inserte el cable de alimentación eléctrica a través de la abrazadera, dejando aproximadamente 152 mm (6") de longitud de cable dentro de la caja, para facilitar el cableado. Agregue al menos 51 mm (2 pulgadas) de lazo de cable entre la pared y el prepunzonado de ingreso a la caja de conexiones, para tener en cuenta la dilatación del calefactor.

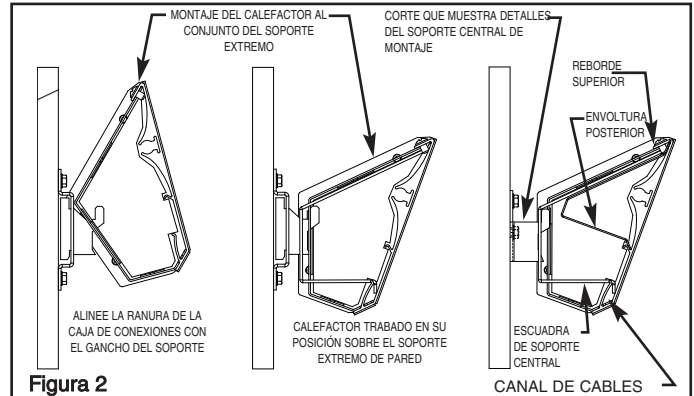


Figura 2

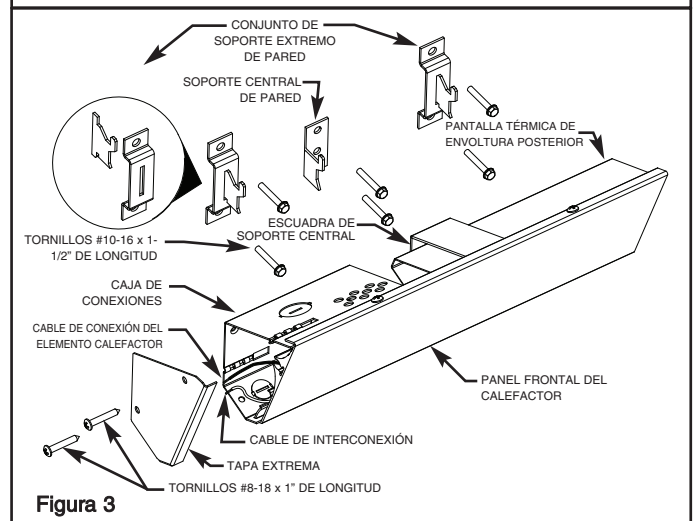


Figura 3

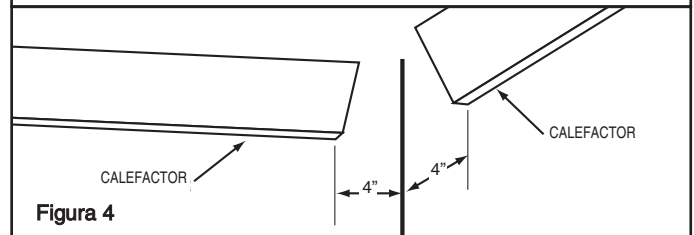


Figura 4

6. Vea los diagramas de cableado en la próxima página.
7. Coloque las tapas extremas (que se proveen en la bolsa de piezas) como lo muestra la Figura 3.

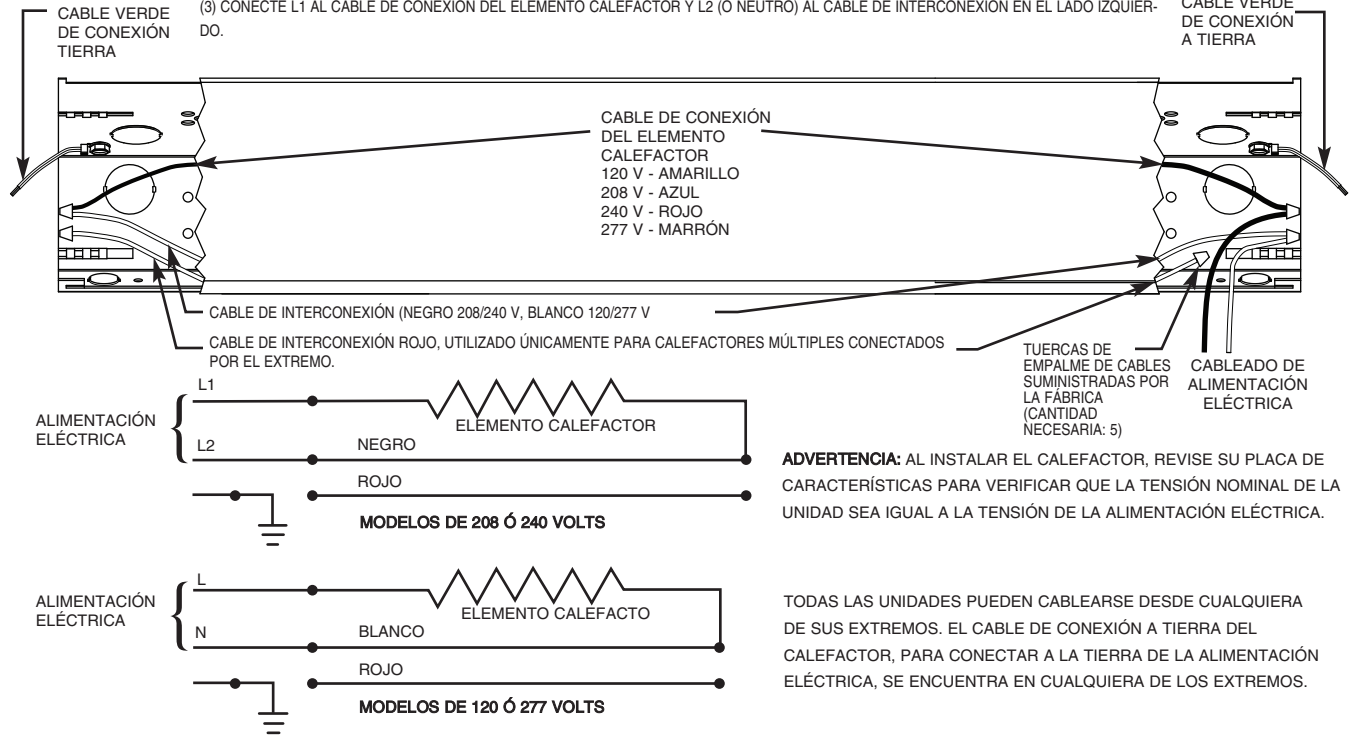
INSTALACIÓN EN UNA ESQUINA

1. Los calefactores deben ubicarse de modo que los extremos de cada uno se encuentren a 102 mm (4") de la pared lateral. Vea la Figura 4.

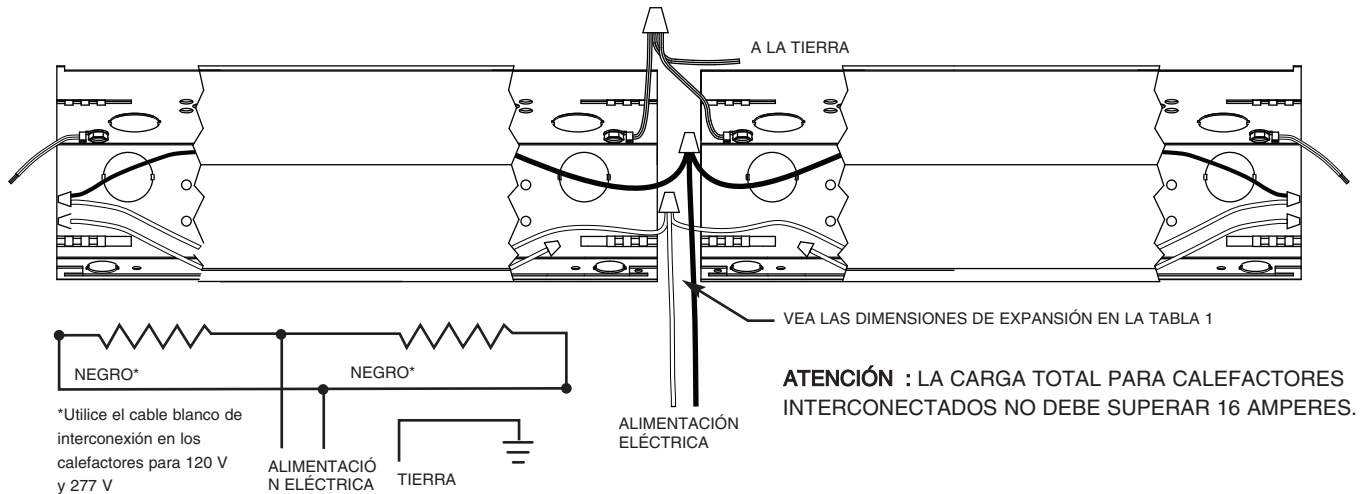
CABLEADO DE UNA UNIDAD – ALIMENTACIÓN ELÉCTRICA EN EL MEDIO

SE MUESTRA EL CONEXIONADO EN EL SITIO, EN EL LADO DERECHO. PARA CONECTAR EN EL LADO IZQUIERDO:

- (1) SEPARA EL CABLE DE CONEXIÓN DEL ELEMENTO CALEFACTOR DEL CABLE DE INTERCONEXIÓN EN EL LADO IZQUIERDO.
- (2) MEDIANTE UNA TUERCA DE EMPALME DE CABLES, CONECTE EL CABLE DE CONEXIÓN AL CABLE DE INTERCONEXIÓN EN EL LADO DERECHO.
- (3) CONECTE L1 AL CABLE DE CONEXIÓN DEL ELEMENTO CALEFACTOR Y L2 (O NEUTRO) AL CABLE DE INTERCONEXIÓN EN EL LADO IZQUIERDO.



CABLEADO DE DOS UNIDADES – ALIMENTACIÓN ELÉCTRICA EN EL MEDIO



DOS O MÁS CALEFACTORES – ALIMENTACIÓN ELÉCTRICA EN EL EXTREMO

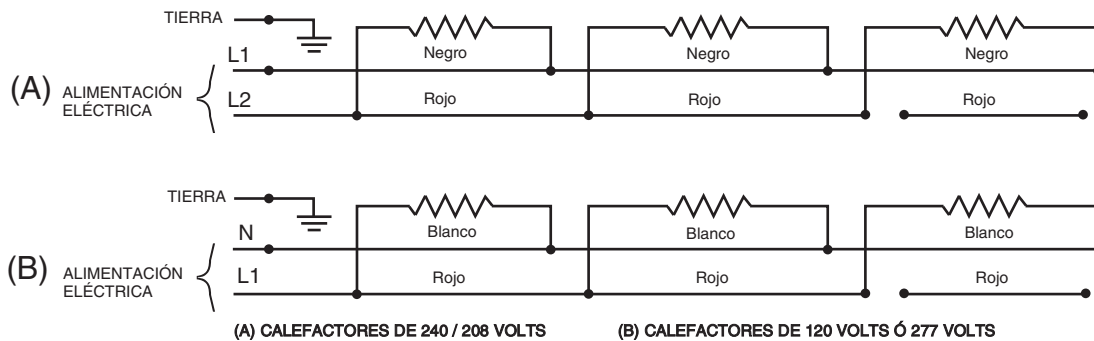


Figura 5.
Cableado del calefactor

PARA ASEGURAR LA CONTINUIDAD DE LA CONEXIÓN A TIERRA ENTRE CALEFACTORES ADYACENTES, UTILICE EL CABLE PROVISTO PARA CONEXIÓN A TIERRA.

VEA ARRIBA LAS NOTAS PARA EL CABLEADO DE DOS UNIDADES, CON ALIMENTACIÓN ELÉCTRICA EN EL MEDIO.

INFORMACIÓN IMPORTANTE

PIEZAS DE REPUESTO

Los elementos calefactores y las extrusiones de aluminio no son reemplazables. Debido al diseño intrínseco del calefactor de montaje en pared y cerca del techo, no podemos suministrar elementos calefactores, extrusiones, alambres, protectores traseros, y cajas de empalmes como piezas reemplazables, sin embargo, se pueden conseguir los siguientes paquetes de piezas.

Paquete de piezas 1. Número de pieza 3303-2032-000 para calefactores de montaje en pared y cerca del techo, color blanco.

Paquete de piezas 2. Número de pieza 3303-2032-001 para calefactores de montaje en pared y cerca del techo, color gris claro.

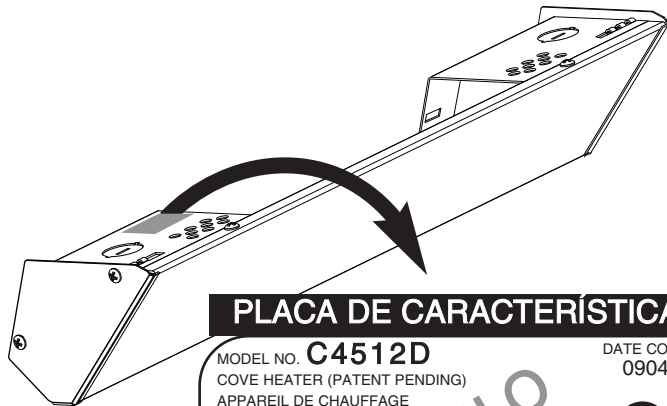
Paquete de piezas 3. Número de pieza 3303-2032-002 para calefactores de montaje en pared y cerca del techo, color habano desierto.

El anterior paquete contiene tapas de extremo, soportes de extremo, soporte central, plantilla de montaje, y herrajes de montaje.

ACCESORIOS (opcionales)

RCCT Termostato integral: Gama de temperaturas de 7,2 °C (45 °F) a 32,2 °C (90 °F), con apagado positivo.

RCCSPC Conjunto de placa de unión.



PLACA DE CARACTERÍSTICAS

MODEL NO. **C4512D** DATE CODE 0904
 COVE HEATER (PATENT PENDING)
 APPAREIL DE CHAUFFAGE
 ENCASTRÉ
 RADIATOR EQUINERO DE TECTO
 VOLTS: 120 A.C. 60 Hz
 WATTS: 450 AMPS 3.75
 MARLEY ENGINEERED PRODUCTS
 BENNETTSVILLE, SC 29512 USA

UL US
 774G LISTED
 ROOM HEATER

PLACA DE CARACTERÍSTICAS

MODELO NO.	Potencia (watts)	Tensión (volts)	Corriente (ampères)	Longitud (pulg.)
C4508D	450W	208V	2.2	34
C4512D		120V	3.7	34
C4524D		240V	1.9	34
C6008D	600W	208V	2.9	47
C6012D		120V	5.0	47
C6024D		240V	2.5	47
C6027D		277V	2.2	47
C7508D	750W	208V	3.6	59
C7512D		120V	6.2	59
C7524D		240V	3.1	59
C7527D		277V	2.7	59
C9008D	900W	208V	4.3	71
C9012D		120V	7.5	71
C9024D		240V	3.7	71
C9027D		277V	3.2	71
C10508D	1050W	208V	5.0	83
C10512D		120V	8.8	83
C10524D		240V	4.4	83
C10527D		277V	3.8	83
C12008D	1200W	208V	5.8	94
C12012D		120V	10.0	94
C12024D		240V	5.0	94
C12027D		277V	4.3	94
C15008D	1500W	208V	7.2	118
C15024D		240V	6.2	118
C15027D		277V	5.4	118
C18008D	1800W	208V	8.7	132
C18024D		240V	7.5	132
C18027D		277V	6.5	132

GARANTÍA LIMITADA

Todos los productos fabricados por Marley Engineered Products están garantizados contra defectos en manufactura y materiales durante 18 meses a partir de la fecha de instalación. Esta garantía no aplica a daño por accidente, uso incorrecto, alteración; ni donde el voltaje conectado sea superior en 5% al voltaje indicado en la placa de datos; ni se aplica a equipo instalado o cableado o mantenido de manera inapropiada en violación de las instrucciones de instalación de los productos. Todas las reclamaciones de trabajos de garantía deben incluir un documento que compruebe la fecha de instalación.

El cliente será responsable de todos los costos incurridos en la remoción o reinstalación de productos, incluyendo los costos de mano de obra, y los costos de envío incurridos para devolver los productos a un Centro de Servicio de Marley Engineered Products, y nosotros repararemos o reemplazaremos, según nuestra elección, sin costo para usted con el costo de envío de regreso pagado por Marley. Se acuerda que dicha reparación o reemplazo es el remedio exclusivo disponible de parte de Marley Engineered Products.

LAS ANTERIORES GARANTÍAS REEMPLAZAN CUALQUIER OTRA GARANTÍA EXPRESA O IMPLÍCITA, Y TODAS LAS GARANTÍAS IMPLÍCITAS DE MERCADERÍA Y ADECUADIBILIDAD PARA UN PROPÓSITO EN PARTICULAR QUE EXCEDEN LAS GARANTÍAS EXPRESAS MENCIONADAS SON DENEGADAS MEDIANTE ESTE DOCUMENTO Y EXCLUIDAS DE ESTE ACUERDO. MARLEY ENGINEERED PRODUCTS NO SERÁ RESPONSABLE POR DAÑOS CONSECUCIONALES QUE SURJAN CON RESPECTO AL PRODUCTO, ESTÉN O NO BASADOS EN NEGLIGENCIA, INFRACCIÓN, RESPONSABILIDAD ESTRICTA, O CONTRATO.

Algunos estados no permiten la exclusión en la limitación de los daños incidentales o consecuenciales, de manera que la anterior exclusión o limitación podría no aplicarse a usted. Esta garantía le proporciona a usted derechos legales específicos, y también podría tener otros derechos que varían de estado a estado.

Para obtener la dirección de su centro de servicio autorizado más cercano, comuníquese con Marley Engineered Products, Bennettsville, SC 29512 USA. Tel. 1-800-642-4328. La mercancía devuelta a la fábrica debe incluir una autorización de devolución y la etiqueta de identificación de servicio, las cuales pueden conseguirse en la anterior dirección. Al solicitar la autorización de devolución, incluya todos los números de catálogo mostrados en los productos.

CÓMO OBTENER SERVICIO EN GARANTÍA, PIEZAS DE REPUESTO E INFORMACIÓN GENERAL

- Servicio o repuestos, en garantía: **1-800-642-4328**
- Compra de piezas de repuesto: **1-800-654-3545**
- Información general sobre productos: **www.marlymep.com**

NOTA : Cuando solicite servicio, siempre dé la información que sigue:

- Número de modelo del producto
- Fecha de fabricación
- Número de parte o descripción

Part No. 5200-2668-005
 ECR 39014
 02/11



Marley
 Engineered Products

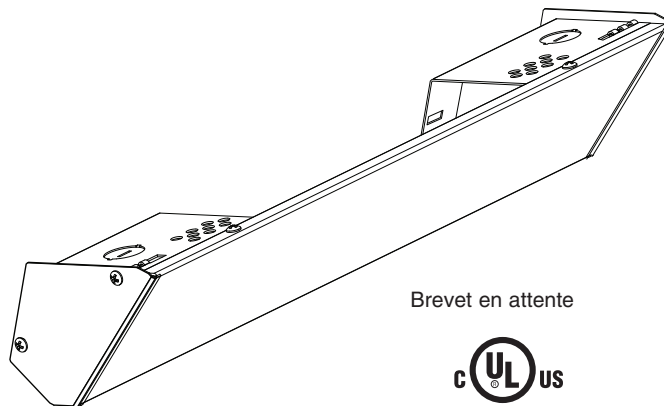
470 Beauty Spot Rd. East
 Bennettsville, SC 29512 USA



Marley

Engineered Products

APPAREIL DE CHAUFFAGE ENCASTRÉ Modèle D



Brevet en attente



FILE #E21609

Instructions d'installation et d'entretien



AVERTISSEMENT



À lire attentivement – Ces instructions sont écrites pour vous aider à éviter les difficultés qui pourraient survenir durant l'installation des radiateurs. Le fait d'étudier ces instructions d'abord peut vous économiser pas mal de temps et d'argent. Observez les procédures qui suivent et vous réduirez la durée d'installation à un minimum.

POUR RÉDUIRE LES RISQUES D'INCENDIE ET D'ÉLECTROCUTION :

- Débranchez toute alimentation secteur allant au chauffage au niveau du panneau de distribution en amont avant tout câblage ou toute intervention dessus.
- Tout le câblage doit être en conformité avec les normes électriques locales ou nationales, et le chauffage doit être relié à la terre.
- Comparez le secteur disponible pour alimenter le chauffage avec les spécifications portées sur sa plaque signalétique avant de l'alimenter.
- L'appareil de chauffage est très chaud quand il fonctionne. Pour ne pas vous brûler, évitez tout contact de la peau nue avec ses surfaces.
- N'insérez pas et ne laissez pas entrer d'objets étrangers dans les ouvertures de ventilation ou d'évacuation car cela pourrait provoquer électrocution, début d'incendie ou dommages à l'appareil.
- Ne bloquez en aucune façon les entrées ou sorties d'air. Maintenez les matériaux combustibles, comme palettes, draperies, etc., à l'écart du chauffage. Ne l'installez pas derrière porte, meuble, chiffons ou boîtes.
- Un chauffage comporte à l'intérieur des pièces brûlantes, produisant arcs et étincelles. Ne l'utilisez pas dans des zones où essence, peinture ou liquides inflammables sont utilisés ou entreposés.
- N'utilisez ce chauffage que comme décrit dans ce manuel. Tout autre usage non recommandé par le constructeur peut amener incendie, électrocution ou blessures physiques.
- Le chauffage n'est pas approuvé pour une utilisation en atmosphères corrosives, comme les environnements marins, les serres et les entrepôts chimiques.

ATTENTION

- LE CHAUFFAGE DOIT ÊTRE MONTÉ À AU MOINS 183 CM (6') AU-DESSUS DU PLANCHER POUR ÉVITER UN CONTACT ACCIDENTEL.
- POUR ÉVITER UNE POSSIBLE SURCHAUFFE ET SES DOMMAGES, REPORTEZ-VOUS AUX FIGURES 1 ET 4 POUR LES EXIGENCES D'ESPACEMENT PAR RAPPORT AU DESSUS, AU DESSOUS ET AUX CÔTÉS.

GÉNÉRALITÉS

Quand vous installez 2 chauffages ou plus sur une cloison :

- Montez-les en les espaçant suffisamment, comme montré au Tableau 1.
- Installez une plaque optionnelle d'assemblage RCCSPC (si vous le souhaitez) en suivant les instructions fournies avec.

Quand vous montez des chauffages bout à bout, prévoyez l'ajout d'un maximum de dilatation de chaque appareil et fournissez cet espace entre deux extrémités consécutives.

Tableau 1

PUISSANCE WATTS	MAXIMUM DE DILATATION PRÉVUE	ENTRAXE ENTRE 2 ENCASTRAGES
450	1/8" (4mm)	27.75" (705mm)
600	1/4" (7mm)	40.75" (1,035mm)
750	1/2" (13mm)	52.75" (1,340mm)
900	3/4" (19mm)	64.75" (1,645mm)
1050	7/8" (23mm)	76.75" (1,949mm)
1200	1-1/8 (29mm)	87.75" (2,229mm)
1500	1-3/8 (35mm)	111.75" (2,838mm)
1800	1-1/2" (38mm)	125.75" (3,194mm)

MONTAGE DE L'APPAREIL DE CHAUFFAGE

Pour les chauffages de 450 à 1 200 watts :

- Sélectionnez la distance de montage correct depuis le matériau du plafond suivant la Figure 1. En utilisant le Tableau 1 déterminez l'entraxe des supports muraux d'extrémités pour le modèle spécifique (puissance) à monter. Divisez cette valeur par 2 pour déterminer l'emplacement approximatif de montage du support mural central. Marquez ces emplacements sur la cloison choisie. Positionnez un goujon au plus Utilisez-le pour l'emplacement du support au plus près du marquage du marquage mural central (oubliez le marquage initial précédent). Assemblez les supports muraux d'extrémité comme montré en Figure 3.
- Utilisez le gabarit (fourni), alignez son haut avec le plafond et centrez les trous pré-enfoncés avec les marquages de supports sur la cloison. Choisissez les trous de support appropriés (extrémité ou milieu), marquez les emplacements pilotes de trous de supports en utilisant les trous pré-enfoncés sélectionnés fournis avec le gabarit. Avec les fixations fournies, montez les supports muraux d'extrémité et le support mural central sur la cloison. En utilisant un mètre, déterminez la distance entre le centre (fente) du support mural d'extrémité de gauche et le crochet du support mural central. Ajoutez-y 3-5/8" (9,2 cm) et reportez-le pour l'emplacement du support central sur l'appareil de chauffage encastré.
- Orientez l'appareil de chauffage intégré face en bas sur une surface plane. En utilisant la valeur enregistrée à l'étape 2, mesurez la distance depuis l'extrémité gauche du chauffage et marquez l'emplacement sur la surface arrière du panneau. Glissez le support central sur la position marquée du panneau, en alignant le centre du support avec ce marquage.

CONSERVEZ CES INSTRUCTIONS

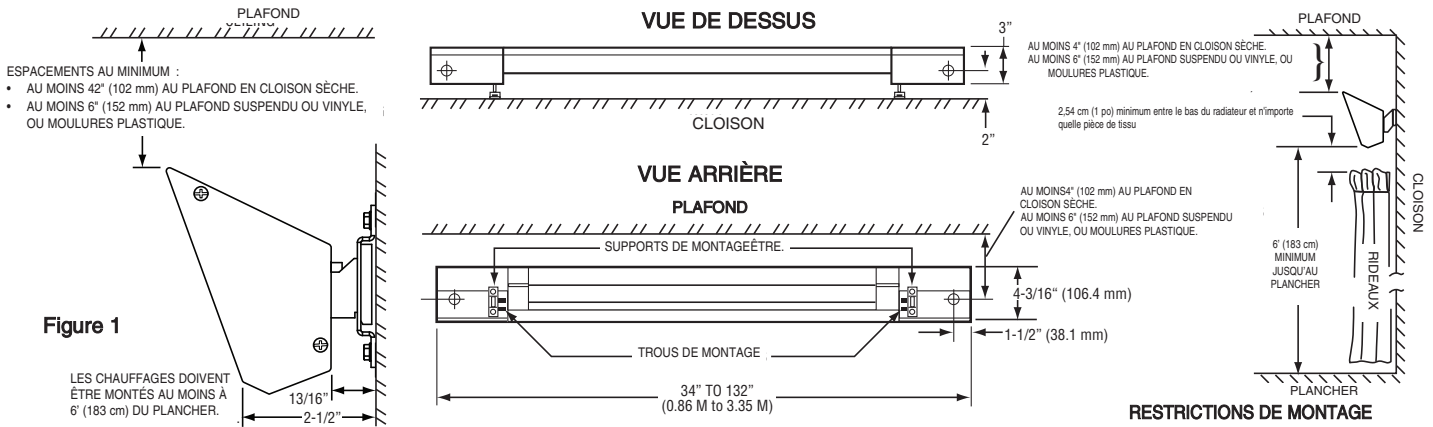


Figure 1

MONTAGE DE L'APPAREIL DE CHAUFFAGE (suite)

4. Pour monter l'appareil de chauffage intégré, fixez l'équerre de support central au milieu du support mural central, en inclinant le chauffage vers l'arrière et en permettant à la fente du dessus de tomber dans le crochet du support comme montré en Figure 2. Fixez les boîtes de raccordement à l'extrémité des supports muraux de la même façon. Verrouillez le chauffage en place vers l'avant.

Pour les chauffages de 1 500 à 1 200 watts :

Ces chauffages plus puissants demandent support additionnel de (2) supports muraux centraux du fait de leur plus grande longueur. Les étapes de montage sont similaires que pour les 450-1 200 W avec les exceptions suivantes :

1. Après la détermination de l'emplacement central approximatif entre les supports muraux, mesurez 30" (762 mm) de chaque côté de cet emplacement pour déterminer la position approximative du montage des supports muraux centraux. Positionnez un goujon au plus près de chaque marquage. Utilisez-les pour les emplacements des supports muraux centraux (oubliez le marquage initial de 30" précédent).
2. Utilisez le gabarit (fourni), alignez son haut avec le plafond et centrez les trous pré-enfoncés avec les marquages de supports sur la cloison. Choisissez les trous de positionnement de supports appropriés, marquez les emplacements d'avant-trous en utilisant les trous pré-enfoncés choisis fournis dans le gabarit. Avec les attaches fournies montez les supports muraux d'extrémité assemblés et les supports muraux centraux sur la cloison. Mesurez la distance entre le centre (fente) du support mural d'extrémité gauche et le crochet du support mural central de gauche. Ajoutez-y 3-5/8" (9,2 cm) et reportez-le pour l'emplacement du support central gauche sur l'appareil de chauffage encastré. Mesurez la distance entre le centre (fente) du support mural de droite et le crochet du support mural central de droite. Ajoutez-y 3-5/8" (9,2 cm) et reportez-le pour l'emplacement du support central de droite sur l'appareil de chauffage encastré.
3. Orientez l'appareil de chauffage intégré face en bas sur une surface plane. En utilisant la valeur enregistrée à l'étape 2, mesurez la distance depuis l'extrémité gauche du chauffage et marquez l'emplacement sur la surface arrière du panneau. En utilisant la valeur mesurée d'extrémité de droite, enregistrée à l'étape 2, mesurez cette distance depuis l'extrémité droite de l'appareil de chauffage et marquez cet emplacement sur la surface arrière du panneau. Glissez les équerres de supports centraux sur les positions marquées en alignant le milieu des supports sur chaque marquage.

4. Pour monter l'appareil de chauffage intégré, fixez les équerres de support centrales au milieu des supports muraux centraux, en inclinant le chauffage vers l'arrière et en permettant à la fente du dessus de tomber dans le crochet du support comme montré en Figure 2. Fixez les boîtes de raccordement à l'extrémité des supports muraux de la même façon. Verrouillez le chauffage en place vers l'avant.
5. Le chauffage peut être câblé d'un côté ou de l'autre. Installez le serre-câble (de fourniture extérieure) dans un des trous à enfoncer situés à l'arrière des boîtiers de raccordement que vous voulez utiliser. Insérez le câble secteur au travers du serre-câble en laissant environ 6" (152 mm) de câble à l'intérieur du boîtier pour faciliter le raccordement. Ajouter 2 po de câble en boucle entre le mur et la pastille du boîtier de connection pour dilatation du radiateur.
6. Reportez-vous aux diagrammes de câblage de la page qui suit.

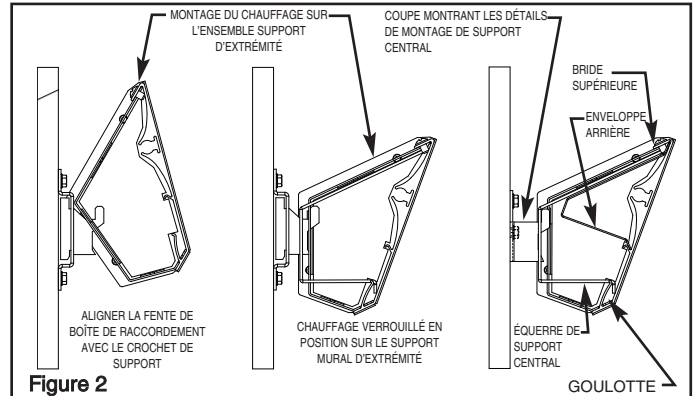


Figure 2

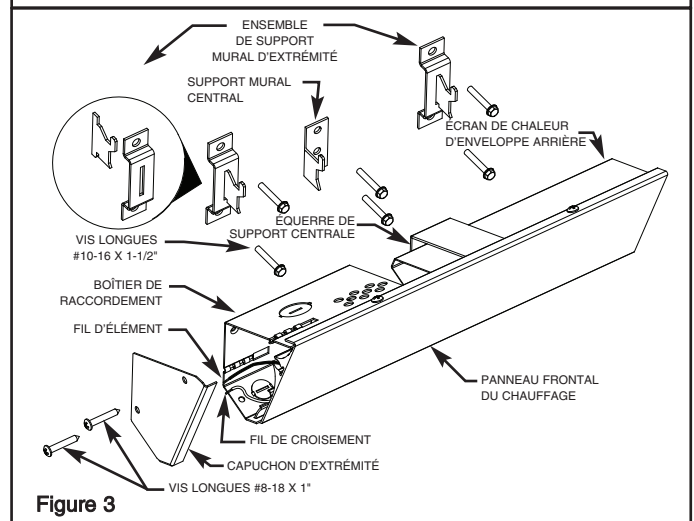


Figure 3

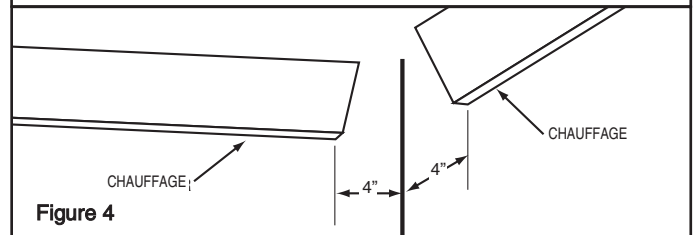


Figure 4

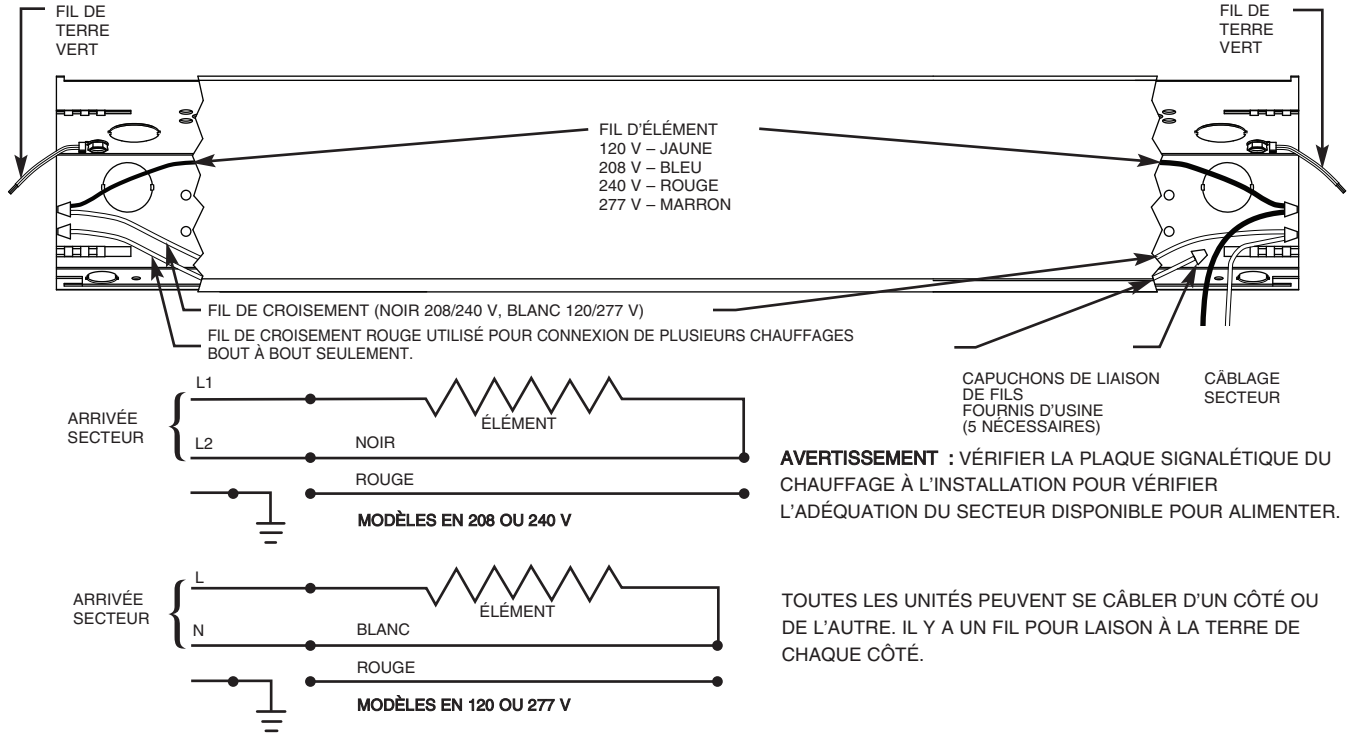
7. Mettez en place les capuchons d'extrémités (venant du sac de pièces) comme montré en Figure 3.

INSTALLATION DANS UN ANGLE

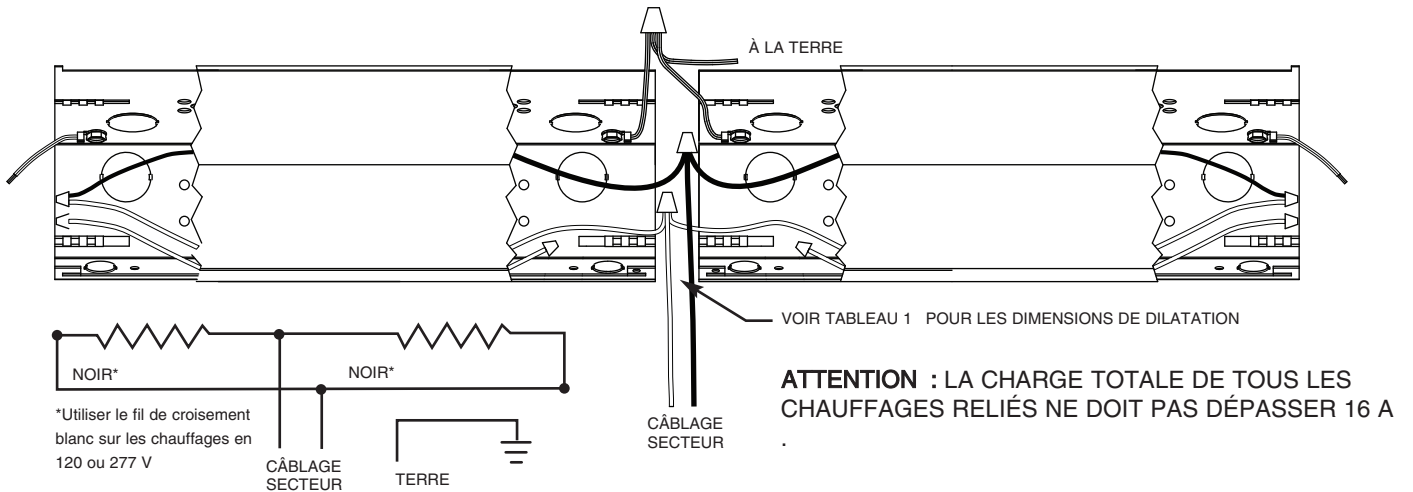
1. LES APPAREILS DE CHAUFFAGE DOIVENT ÊTRE PLACÉS DE FAÇON À CE CHACUN SOIT À 4" (102 MM) DE L'ANGLE DE CLOISON (VOIR LA FIGURE 4).

CÂBLAGE D'UNE SEULE UNITÉ – ALIMENTATION AU CENTRE

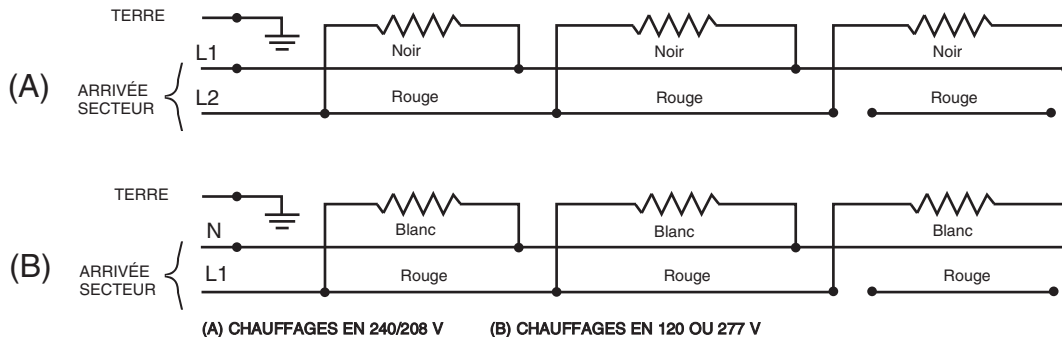
- CONNEXION PAR LE CÔTÉ DROIT ILLUSTRÉE ICI. POUR BRANCHER DU CÔTÉ GAUCHE :
- (1) SÉPARER LE FIL D'ÉLÉMENT DU FIL DE CROISEMENT SUR LE CÔTÉ GAUCHE.
 - (2) AVEC UN CAPUCHON DE LIAISON DE FILS, RELIER LE FIL D'ÉLÉMENT AU FIL DE CROISEMENT AU CÔTÉ DROIT.
 - (3) BRANCHER L1 AU FIL D'ÉLÉMENT ET L2 (OU LE NEUTRE) AU FIL DE CROISEMENT DU CÔTÉ GAUCHE.



CÂBLAGE DE DEUX UNITÉS – ALIMENTATION AU CENTRE



CÂBLAGE DE DEUX UNITÉS OU PLUS – ALIMENTATION À L'EXTRÉMITÉ



POUR LA CONTINUITÉ DE LA TERRE ENTRE LES CHAUFFAGES ADJACENTS, UTILISER LE FIL DE TERRE FOURNI. VOIR LES NOTES CI-DESSUS SUR LE CÂBLAGE DE 2 UNITÉS AVEC ALIMENTATION AU CENTRE.

Figure 5 – Câblage de l'appareil de chauffage

IMPORTANTES INFORMATIONS

PIÈCES DE RECHANGE

Les éléments et les extrusions en aluminium ne sont pas remplaçables. Du fait de la conception intrinsèque de l'appareil de chauffage encastré, nous ne sommes pas à même de vous fournir éléments, extrusions, fils, écrans arrière et boîtiers de raccordement en tant que pièces de rechange, cependant les ensembles de pièces suivants sont disponibles :

Kit de pièces 1. Numéro référence 3303-2032-000 pour chauffages à couvercle blanc.

Kit de pièces 2. Numéro référence 3303-2032-001 pour chauffages à couvercle gris pigeon.

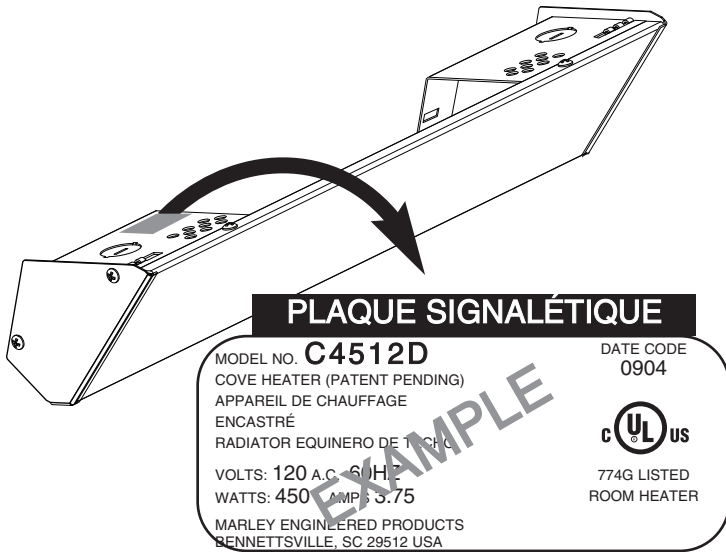
Kit de pièces 3. Numéro référence 3303-2032-003 pour chauffages à couvercle jaune sable.

Ces kits contiennent capuchons et supports d'extrémités, support central, gabarit et visserie de montage.

ACCESSOIRES (optionnel)

RCCT thermostat intégré, plage de 45-90 °F avec interrupteur.

RCCSPC Ensemble de plaque d'assemblage.



Spécifications

Référence de modèle	Puissance Watts	Tension Volts	Consom. Ampères	Longueur (pouces)
C4508D	450W	208V	2.2	34
C4512D		120V	3.7	34
C4524D		240V	1.9	34
C6008D	600W	208V	2.9	47
C6012D		120V	5.0	47
C6024D		240V	2.5	47
C6027D		277V	2.2	47
C7508D	750W	208V	3.6	59
C7512D		120V	6.2	59
C7524D		240V	3.1	59
C7527D		277V	2.7	59
C9008D	900W	208V	4.3	71
C9012D		120V	7.5	71
C9024D		240V	3.7	71
C9027D		277V	3.2	71
C10508D	1050W	208V	5.0	83
C10512D		120V	8.8	83
C10524D		240V	4.4	83
C10527D		277V	3.8	83
C12008D	1200W	208V	5.8	94
C12012D		120V	10.0	94
C12024D		240V	5.0	94
C12027D		277V	4.3	94
C15008D	1500W	208V	7.2	118
C15024D		240V	6.2	118
C15027D		277V	5.4	118
C18008D	1800W	208V	8.7	132
C18024D		240V	7.5	132
C18027D		277V	6.5	132

GARANTIE LIMITÉE

Tous les produits fabriqués par Marley Engineering Products sont garantis contre les défauts de main d'œuvre et de matériaux pendant 18 mois à partir de la date d'installation. Cette garantie ne s'applique pas aux dommages résultant d'accident, d'utilisation impropre ou d'altération, ni si la tension secteur appliquée est plus de 5% au-dessus de la valeur donnée sur la plaque signalétique, ni si l'équipement a été mal installé ou mal câblé, ou mal entretenu, sans respecter les instructions fournies avec le produit; Toutes les réclamations au titre de la garantie devront être accompagnées d'une preuve de la date d'installation.

Le client sera responsable de tous les frais causés par l'enlèvement ou la réinstallation des produits, y compris les frais de main d'œuvre et les frais d'expédition pour renvoyer les produits au centre d'entretien Marley Engineered Products. Dans le cadre des limites de cette garantie, les appareils défectueux doivent être renvoyés au centre de service après-vente agréé Marley le plus proche ou au centre Marley Engineered Products et nous les réparerons ou remplacerons, à notre choix, gratuitement pour vous avec les frais de retour payés par Marley. Il est entendu qu'une telle réparation ou un tel remplacement sont les seuls recours pouvant être obtenus de Marley Engineered Products.

LES GARANTIES CI-DESSUS REMPLACENT TOUTES LES AUTRES GARANTIES EXPLICITES OU IMPLICITES ET TOUTES LES GARANTIES IMPLICITES DE COMMERCIALISABILITÉ ET D'ADAPTATION À UN USAGE PARTICULIER QUI DÉPASSENT LES GARANTIES EXPLICITES DÉCRITES CI-DESSUS SONT RÉFUTÉES PAR LA PRÉSENTE ET EXCLUES DE CET ACCORD. Marley Engineered Products NE SERA PAS RESPONSABLE DES DOMMAGES CIRCONSTANCIELS CAUSÉS PAR LE PRODUIT, QUE CE SOIT PAR NÉGLIGENCE, DÉLIT, RESPONSABILITÉ STRICTE, OU CONTRAT.

Certaines provinces n'autorisent pas l'exclusion ou la limitation des dommages circonstanciels ou fortuits, de sorte que l'exclusion ou la limitation ci-dessus peuvent donc ne pas vous concerner. Cette garantie vous donne des droits légaux spécifiques et vous pouvez aussi avoir d'autres droits qui varient d'une province à l'autre.

Pour l'adresse de notre centre d'entretien autorisé le plus proche, contacter Marley Engineered Products, Bennettsville, SC 29512 USA en téléphonant au 1-800-642-4328. La marchandise renvoyée en usine doit être accompagnée d'étiquettes d'identification d'autorisation de renvoi et de service, disponibles chez Marley Engineered Products. Lors de la demande d'autorisation de renvoi, inclure tous les numéros de catalogue apparaissant sur les produits.

COMMENT OBTENIR DU SERVICE ET DES PIÈCES SOUS GARANTIE, OU DES INFORMATIONS GÉNÉRALES

1. Service ou pièces sous garantie **1-800-642-4328**
2. Achat de pièces de rechange **1-800-654-3545**
3. Informations générales sur les produits **www.marleymep.com**

REMARQUE : Quand vous obtenez du service fournissez toujours les informations suivantes :

1. Numéro de modèle du produit
2. Date de fabrication
3. Numéro et description de la pièce

Part No. 5200-2668-005
 ECR 39014
 02/11



Marley
 Engineered Products

470 Beauty Spot Rd. East
 Bennettsville, SC 29512 USA