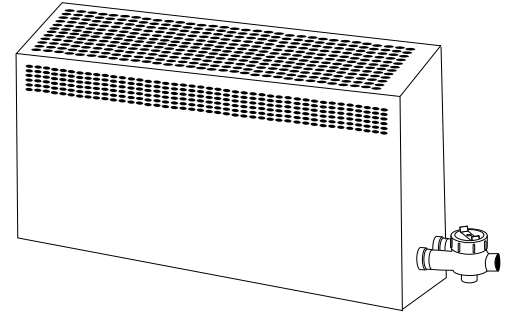




Marley
Engineered Products



G Series (Model B)

Convector Heater for Hazardous Locations



GENERAL



Type G-Series Convection Heaters are designed for use in Class I, Div. I hazardous environments. Units without control options are suitable for areas classified as Groups B, C & D. Units with built-in controls can be supplied for Groups C and D or B, C and D. Refer to classification stamped on heater nameplate.

WARNING: *To prevent ignition of hazardous atmospheres, this heater should not be installed in areas where vapors or gases having an ignition temperature less than 280°C (536°F)(T2A) at 1.8kW, 3.6kW, 4.5kW, 7.2kW, 9.0kW or 180°C (356°F)(T3A) at 1.6kW, 3.2kW, 4.0kW are present.*

WARNING: *These heaters must not be operated in ambient temperatures exceeding 40°C (104°F).*

NOTE: Article 500 of the National Electric Code (NEC) outlines requirements for installation of electrical equipment in hazardous (Classified) locations.

1. Only connect heaters to the same line voltage as on heater nameplate.
2. All controls such as thermostat and contactor, when required, must have the same explosion-proof rating as heater.
3. Do not install one unit above the other.
4. Units must be mounted a minimum of 8" above the floor.
5. Heaters must be mounted on wall in a horizontal position with terminal end at right only. **Never** recess heater into wall.
6. All unit electrical installation fittings, conduit, wiring, and seals must meet NEC and local codes for hazardous locations. External line fusing or circuit breaker protection is required.
7. **Hazard of Shock. Heater must be effectively grounded in accordance with the National Electrical Code.**
8. Failure to understand and follow these installation instructions and the "WARNING" notes contained therein may result in severe personal injury, death, or substantial property damage.

SAVE THESE INSTRUCTIONS

INSTALLATION

WARNING: *Hazard of electric shock. Disconnect all power before installing heater.*

NOTE: Heaters can be mounted individually end to end. Heaters can be mounted directly on any type of surface (masonry, concrete, block, plastered walls, metal framework, etc.) using appropriate hardware

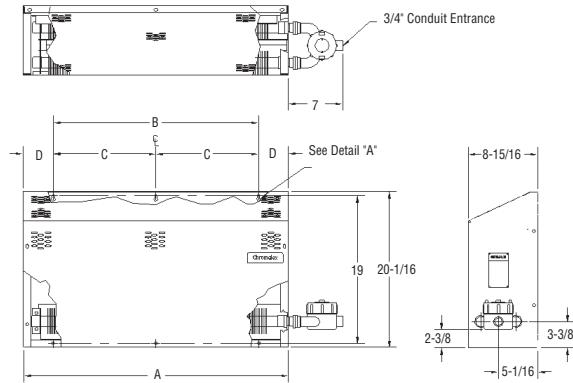
1. Remove front panel by removing threaded bolts.
2. Locate desired heater position on wall.
3. Locate mounting holes for rear panel. Rear panel must be a minimum of 8" from the floor.
4. Refer to Figure 1A, 1B, or 1C for mounting hole layout for each cabinet size.

5. Drill a pilot hole in wall mounting surface at each mounting hole location. Use a convenient small size drill.
6. Drill the mounting holes in accordance with size in Table 1. Insert anchors where applicable.
7. Fasten rear panel to wall with screws noted in Table 1.
WARNING: *Never operate heater with front panel off. Air flow across heating elements requires the front panel in place. Injury from hot heating element possible with front cover removed.*

INSTALLATION

G SERIES MODELS WITHOUT CONTROLS — GROUPS B, C AND D

Figure 1A

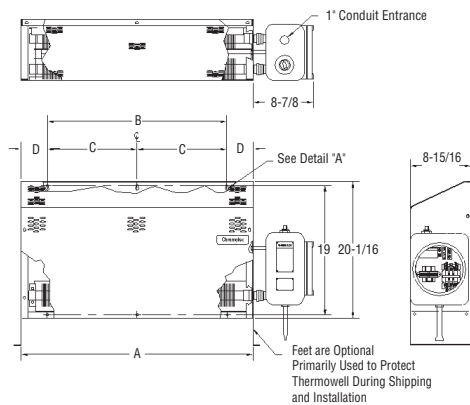


Dimensions (In.)

kW	A	B	C	D
1.6 1.8 3.6	34	20	N/A	7
3.2 7.6	58	32	16	13
4.0 4.5 9.0	70	48	24	11

G SERIES MODELS WITH BUILT-IN CONTROLS — GROUPS B, C AND D

Figure 1B

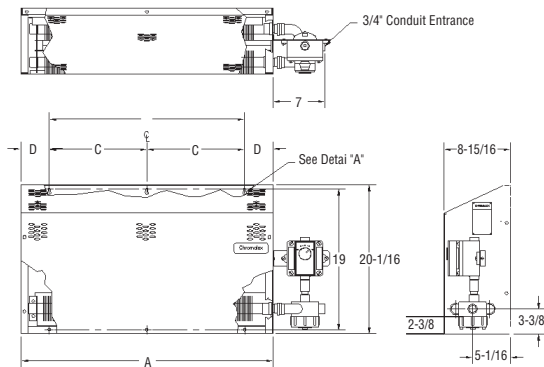


Dimensions (In.)

kW	A	B	C	D
1.6 1.8 3.6	34	20	N/A	7
3.2 7.6	58	32	16	13
4.0 4.5 9.0	72	48	24	11

G SERIES MODELS WITH THERMOSTAT ONLY — GROUPS C AND D

Figure 1C



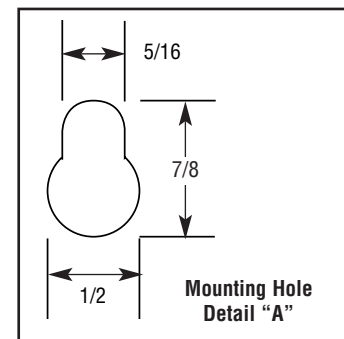
Dimensions (In.)

kW	A	B	C	D
1.6 1.8 3.6	34	20	N/A	7
3.2 7.6	58	32	16	13
4.0 4.5 9.0	70	48	24	11

Table 1 — Suggested Heater Mounting Screws — Types and Sizes

Type of Mounting Surface	** Accessory Hardware	Screw Type	Drill Size and Type	Screw Size to Fit Mtg Hole Size
Concrete Block Masonry	Ackerman	Rd. Hd. Mach. Steel	1/2" Masonry	† 1/4" x 20 xlg
	Lead Anchor	Rd. Hd. Mach Steel or Pan Hd. Metal (Self Tapping)	5/16" Masonry	† # 1/4" xlg
Wood Studs	---	Wood or Metal (Self Tapping)	---	† # 1/4" xlg
Plaster wall Hollow or Similar Type	---	Toggle Bolt	#7 Twist	† # 1/4" xlg
* Metal Beam, Channel, etc.	Nuts Washers	Rd. Hd. Mach. Steel	#7 Twist	† 1/4" x 20 xlg

*If clearance permits use washer, lock washer and nut; otherwise drill and tap to these lengths, add thickness of beam, washers, nut, etc.
 **If mounting structure permits. Except plastered hollow walls explosive type anchors can be used. Suggested size noted in Table and/or sketches should be used to determine size of anchors.
 †Select overall length of screw to provide a minimum penetration of 1 inch into base wall material.



WIRING

WARNING: Hazard of Shock. Any installation involving electric heaters must be effectively grounded in accordance with the National Electrical Code.

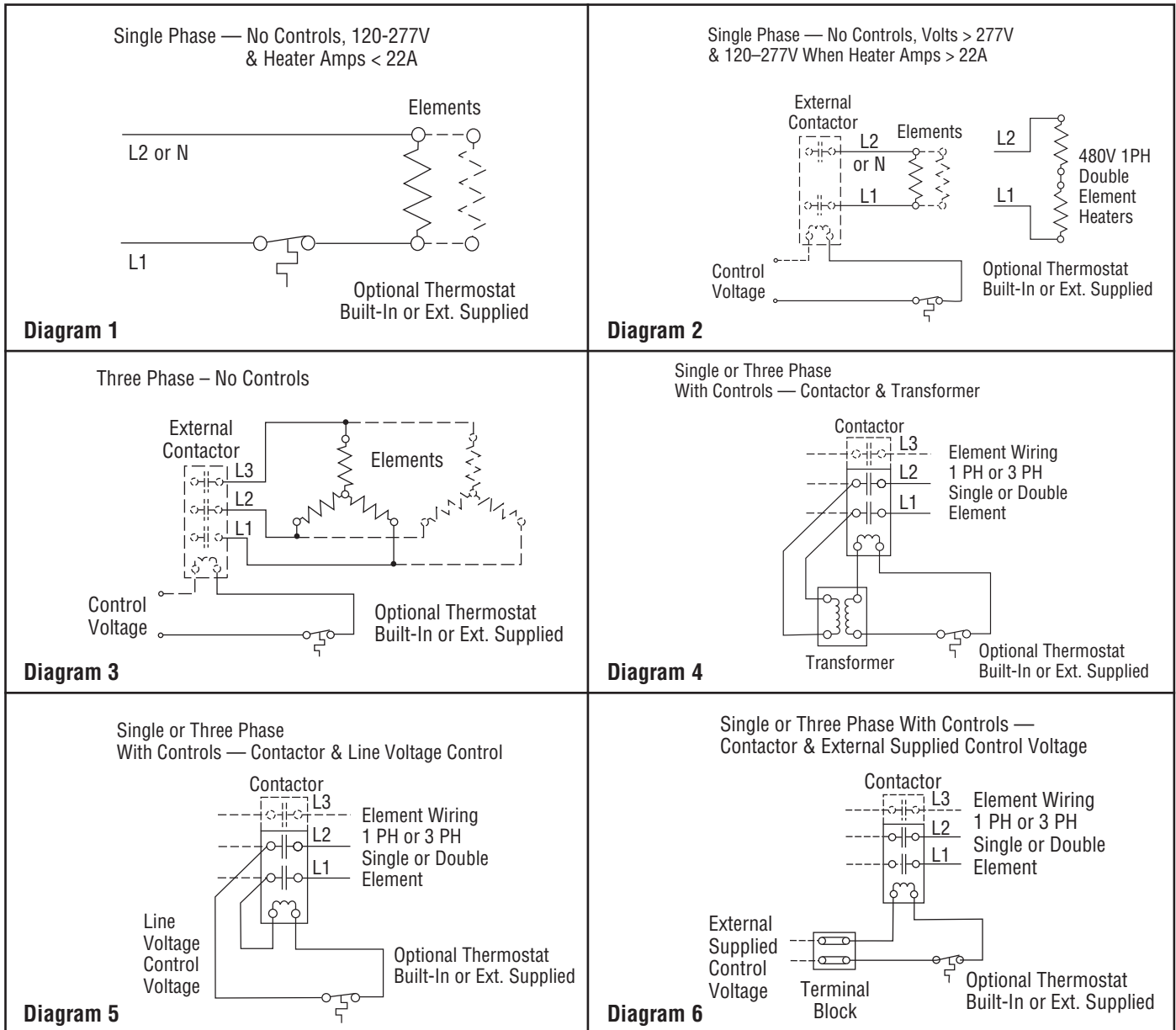
- All wiring must be done in accordance with local codes and the National Electrical Code by a qualified person as defined in the NEC.

WARNING: Use copper conductors only.

- Rough-in-line-wiring to unit in manner approved for hazardous locations. (See warning below.)
- Wire per diagrams 1 through 6 based on the rating and control options listed in table 2. Refer to table 3 for amperage specifications.

- Remove cover of conduit box for connections. Use either opening and plug the other with the plug provided.
- In single phase units (except 480 V) the heaters must be wired in parallel, combining L1 to L1, L2 to L2 and for 3 phase unit, L3 to L3. On 480V single phase units the elements must be wired in series.
- Re-assemble cover with a minimum of 7 turns.

WARNING: (Group B atmospheres) To prevent ignition of Group B atmospheres, conduit runs must not exceed 3/4" in size and all conduit runs 1/2" size and larger must have a sealing fitting connected within 2", 6" or 18" of the terminal enclosure depending on the exact model. For correct placement, refer to data located on the enclosure label.



OPERATION

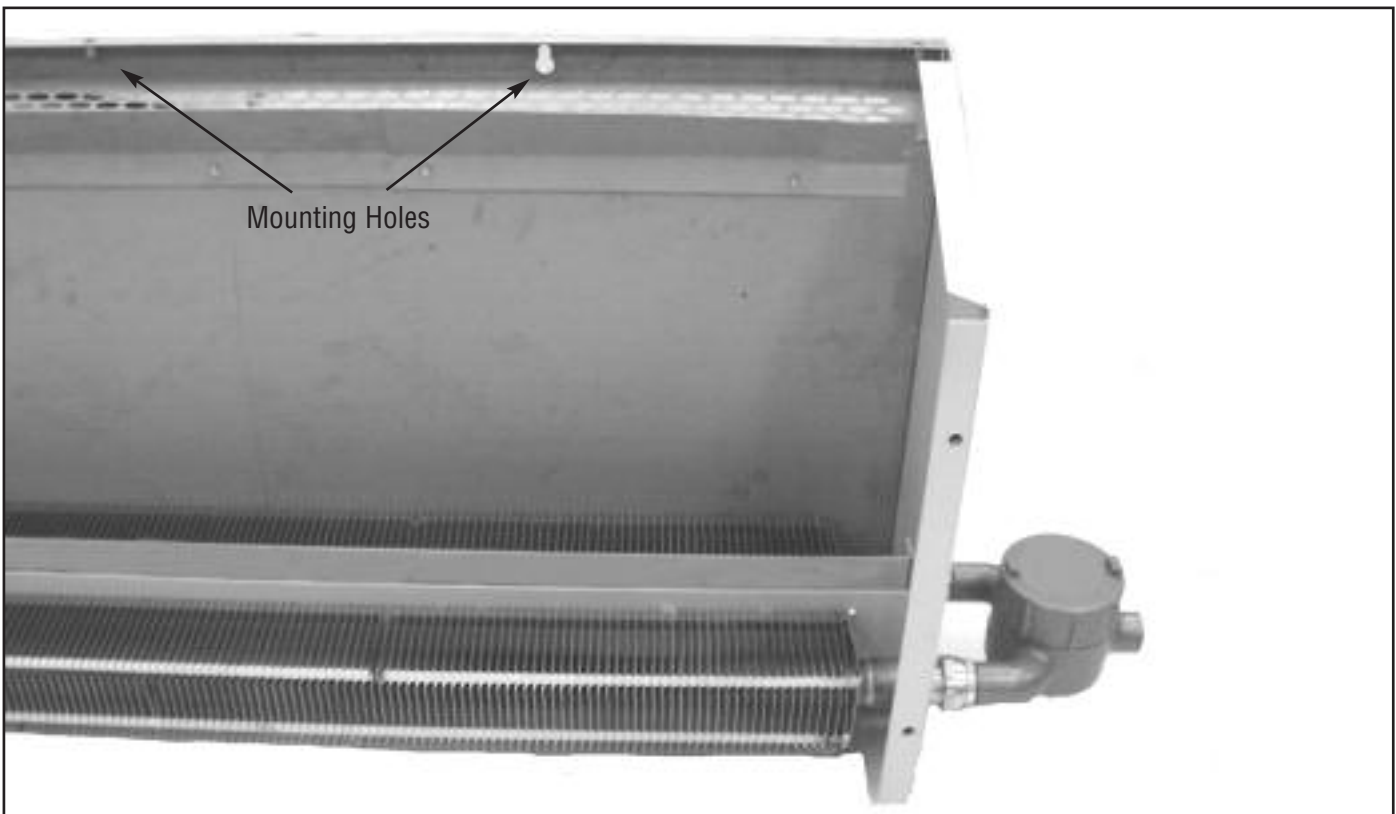
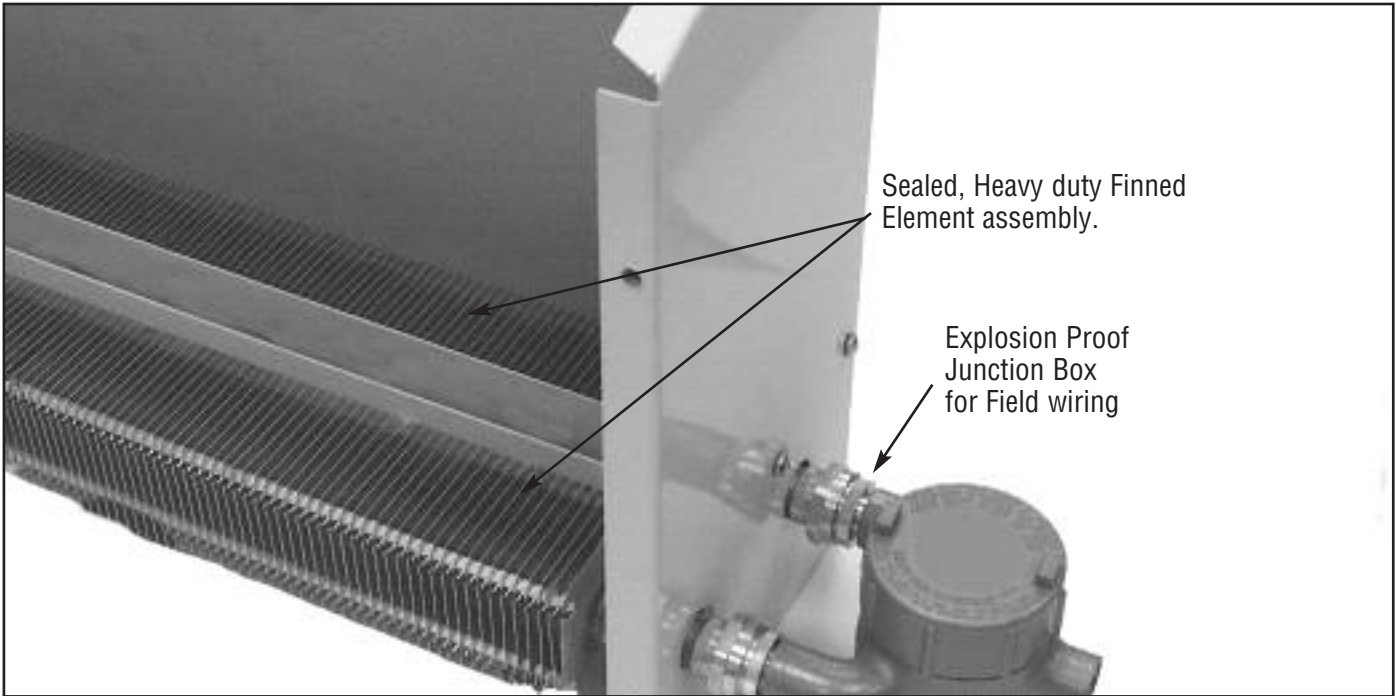
CAUTION: Users should install adequate controls and safety devices with their electric heating equipment. Where the consequences of failure may be severe, back-up controls are essential. The safety of the installation is the responsibility of the user.

- Do not operate heater at voltages in excess of that stamped on the heater since excess voltage will shorten heater life and cause high element temperatures which may exceed allowable temperatures of operation in a hazardous atmosphere.

MAINTENANCE

WARNING: Hazard of Shock. Disconnect all power to heater before servicing or replacing heaters.

1. Before activating for next heating season, vacuum or use compressed air to remove accumulated dust or lint, which otherwise may restrict proper air flow.
2. Periodically check all electrical connections and retighten to avoid electrical wiring difficulties.
3. Check to ensure terminal cover is tightly closed before energizing.



MODEL NUMBER BREAKDOWN

Model

G-Series

Explosion Proof Convection Heater

G	<u>Temperature Rating</u>					
	Code	kW	ID Number	°F	°C	(BTU)
	160	1.6	T3A	356	180	5,500
	180	1.8	T2A	536	280	6,150
	320	3.2	T3A	356	180	11,000
	360	3.6	T2A	536	280	12,300
	400	4.0	T3A	356	180	13,600
	450	4.5	T2A	536	280	15,350
	760	7.6	T2A	536	280	25,930
	900	9.0	T2A	536	280	30,700
	Code	Voltage	Maximum kW Allowable			
	0	120	1.8			
	4	240	9.0			
	38	380	9.0			
	48	480	9.0			
	6	600	9.0			
	7	277	9.0			
8	208	9.0				
	Code	Phase				
	1	1Ø				
	3	3Ø (Not available in 120, 277V)				
	Code	Control Combination				
		Contactor Coil	Transformer Secondary			
	CX	None	None			
	24 Volt	24 Volt				
	120 Volt	120 Volt				
	Code	Temperature Control				
	TB	None				
	T	Thermostat 40 - 90°F				
		Group B, C & D				
		Thermostat Group C & D				
		50 - 90°F				
G	760	48	3	CX	T	

Note: Letter "B" will appear after phase code to indicate engineering version.

TABLE 2 — TEMPERATURE SPECIFICATIONS
DIMENSIONS REPLACEMENTS ELEMENTS REQUIREMENTS

Temperature Rating T3A 356°F (180°C)

Common To Units W & W/O Suffix B

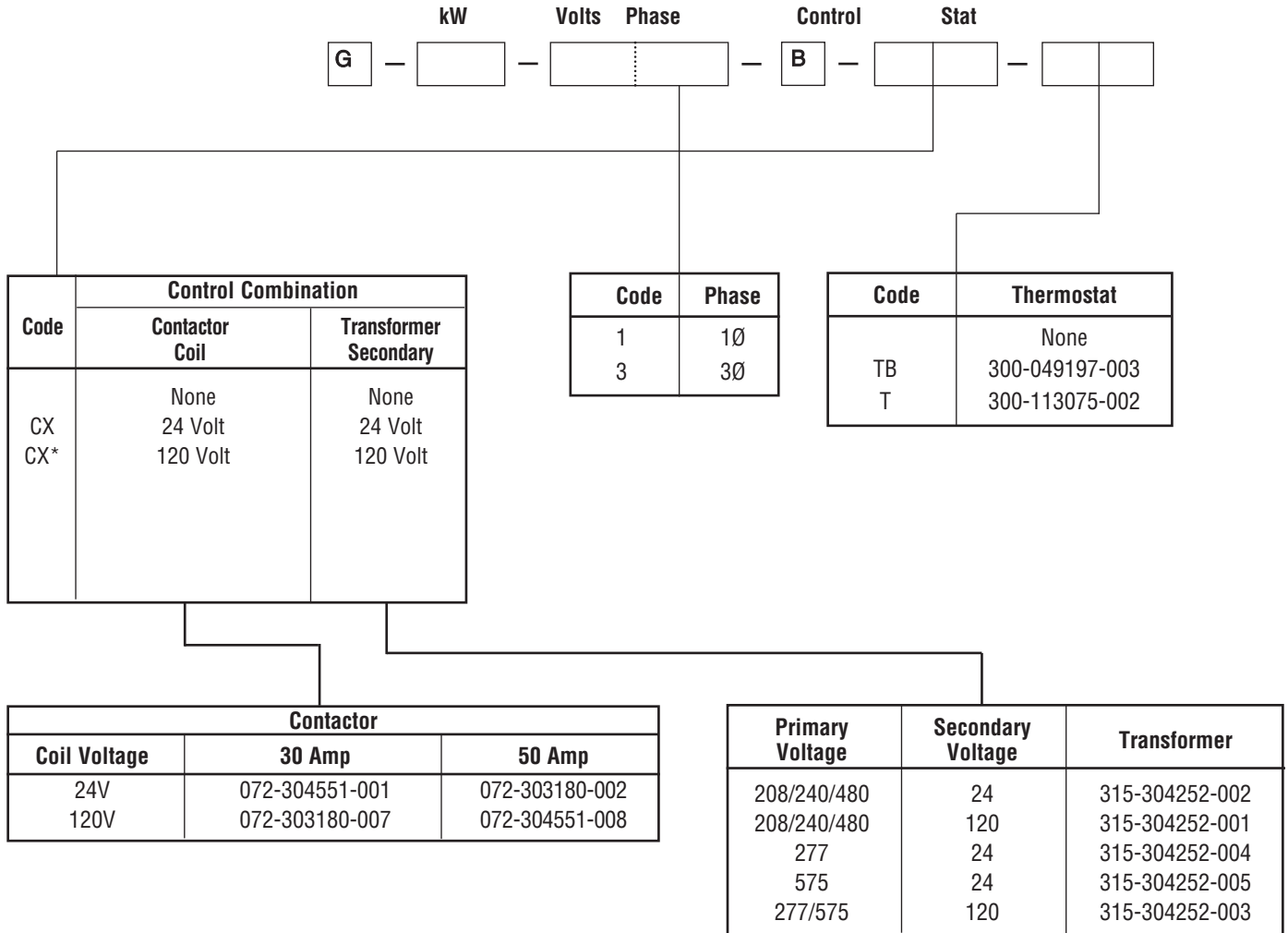
kW	BTU	Volts	Phase	Amps	Model	Width A	Height B	Depth C	Wt. (Lbs.)	Element P/N	Qty.
1.6	5,500	208	1	7.7	G16081	34"	20"	9"	58	003-304650-002	2
1.6	5,500	208	3	4.4	G16083	34"	20"	9"	58	003-304650-005	2
1.6	5,500	240	1	6.7	G16041	34"	20"	9"	58	003-304650-096	2
1.6	5,500	240	3	3.8	G16043	34"	20"	9"	58	003-304650-006	2
1.6	5,500	277	1	5.8	G16071	34"	20"	9"	58	003-304650-004	2
1.6	5,500	480	1	3.3	G160481	34"	20"	9"	58	003-304650-003	2
1.6	5,500	480	3	1.9	G160483	34"	20"	9"	58	003-304650-009	2
1.6	5,500	575	3	1.6	G16063	34"	20"	9"	58	003-304650-010	2
<hr/>											
3.2	11,000	208	1	15.4	G32081	58"	20"	9"	94	003-304650-023	2
3.2	11,000	208	3	8.9	G32083	58"	20"	9"	94	003-304650-026	2
3.2	11,000	240	1	13.3	G32041	58"	20"	9"	94	003-304650-093	2
3.2	11,000	240	3	7.7	G32043	58"	20"	9"	94	003-304650-027	2
3.2	11,000	277	1	11.6	G32071	58"	20"	9"	94	003-304650-025	2
3.2	11,000	480	1	6.7	G320481	58"	20"	9"	94	003-304650-093	2
3.2	11,000	480	3	3.8	G320483	58"	20"	9"	94	003-304650-030	2
3.2	11,000	575	3	3.2	G32063	58"	20"	9"	94	003-304650-031	2
<hr/>											
4.0	13,600	208	1	19.2	G40081	70"	20"	9"	112	003-304650-045	2
4.0	13,600	208	3	11.1	G40083	70"	20"	9"	112	003-304650-048	2
4.0	13,600	240	1	16.7	G40041	70"	20"	9"	112	003-304650-046	2
4.0	13,600	240	3	9.6	G40043	70"	20"	9"	112	003-304650-049	2
4.0	13,600	277	1	14.4	G40071	70"	20"	9"	112	003-304650-047	2
4.0	13,600	480	1	8.3	G400481	70"	20"	9"	112	003-304650-046	2
4.0	13,600	480	3	4.8	G400483	70"	20"	9"	112	003-304650-052	2
4.0	13,600	575	3	7.0	G40063	70"	20"	9"	112	003-304650-053	2

Temperature Rating T2A 536°F (280°C)

kW	BTU	Volts	Phase	Amps	Model	Width A	Height B	Depth C	Wt. (Lbs.)	Element P/N	Qty.
1.8/3.6	6,150/12,300	208	1	8.7/17.3	G(180)36081	34"	20"	9"	46/58	003-304650-034	1 or 2
1.8/3.6	6,150/12,300	208	3	5.0/10.0	G(180)36083	34"	20"	9"	46/58	003-304650-038	1 or 2
1.8/3.6	6,150/12,300	240	1	7.5/15.0	G(180)36041	34"	20"	9"	46/58	003-304650-098	1 or 2
1.8/3.6	6,150/12,300	240	3	4.3/8.7	G(180)36043	34"	20"	9"	46/58	003-304650-039	1 or 2
1.8/3.6	6,150/12,300	277	1	6.5/13.0	G(180)36071	34"	20"	9"	46/58	003-304650-036	1 or 2
1.8/3.6	6,150/12,300	480	1	3.8/7.5	G(180)360481	34"	20"	9"	46/58	003-304650-037/-098	1 or 2
1.8/3.6	6,150/12,300	480	3	2.2/4.3	G(180)360483	34"	20"	9"	46/58	003-304650-042	1 or 2
1.8/3.6	6,150/12,300	575	3	1.8/3.6	G(180)36063	34"	20"	9"	46/58	003-304650-043	1 or 2
<hr/>											
7.6	25,930	208	1	36.5	G76081	58"	20"	9"	94	003-304650-055	2
7.6	25,930	208	3	21.1	G76083	58"	20"	9"	94	003-304650-058	2
7.6	25,930	240	1	31.7	G76041	58"	20"	9"	94	003-304650-099	2
7.6	25,930	240	3	18.3	G76043	58"	20"	9"	94	003-304650-059	2
7.6	25,930	277	1	27.4	G76071	58"	20"	9"	94	003-304650-057	2
7.6	25,930	480	1	15.8	G760481	58"	20"	9"	94	003-304650-056	2
7.6	25,930	480	3	9.1	G760483	58"	20"	9"	94	003-304650-062	2
7.6	25,930	575	3	7.6	G76063	58"	20"	9"	94	003-304650-063	2
<hr/>											
4.5/9.0	15,350/30,700	208	1	21.6/43.3	G(450)90081	70"	20"	9"	87/112	003-304650-065	1 or 2
4.5/9.0	15,350/30,700	208	3	12.5/25.0	G(450)90083	70"	20"	9"	87/112	003-304650-069	1 or 2
4.5/9.0	15,350/30,700	240	1	18.8/37.5	G(450)90041	70"	20"	9"	87/112	003-304650-100	1 or 2
4.5/9.0	15,350/30,700	240	3	10.8/21.7	G(450)90043	70"	20"	9"	87/112	003-304650-070	1 or 2
4.5/9.0	15,350/30,700	277	1	16.2/32.5	G(450)90071	70"	20"	9"	87/112	003-304650-067	1 or 2
4.5/9.0	15,350/30,700	480	1	9.4/18.8	G(450)900481	70"	20"	9"	87/112	003-304650-068/-070	1 or 2
4.5/9.0	15,350/30,700	480	3	5.4/10.8	G(450)900483	70"	20"	9"	87/112	003-304650-073	1 or 2
4.5/9.0	15,350/30,700	575	3	4.5/9.0	G(450)90063	70"	20"	9"	87/112	003-304650-074	1 or 2

REPLACEMENT PARTS

Model Any Voltage	Front Cover Assembly	Rear Cover Assembly	Right Side Panel	Left Side Panel	Element Support Bracket
1.6, 1.8, 3.6 KW	207-304644-101	207-304644-001	207-304644-201	304-304644-301	027-304646-001
3.2, 7.6 KW	207-304644-102	207-304644-002	207-304644-201	304-304644-301	027-304646-001
4.0, 4.5, 9.0 KW	207-304644-103	207-304644-003	207-304644-201	304-304644-301	027-304646-001



LIMITED WARRANTY

All products manufactured by Marley Engineered Products are warranted against defects in workmanship and materials for one year from date of installation, except heating elements which are warranted against defects in workmanship and materials for five years from date of installation. This warranty does not apply to damage from accident, misuse, or alteration; nor where the connected voltage is more than 5% above the nameplate voltage; nor to equipment improperly installed or wired or maintained in violation of the product's installation instructions. All claims for warranty work must be accompanied by proof of the date of installation.

The customer shall be responsible for all costs incurred in the removal or reinstallation of products, including labor costs, and shipping costs incurred to return products to Marley Engineered Products Service Center. Within the limitations of this warranty, inoperative units should be returned to the nearest Marley authorized service center or the Marley Engineered Products Service Center, and we will repair or replace, at our option, at no charge to you with return freight paid by Marley. It is agreed that such repair or replacement is the exclusive remedy available from Marley Engineered Products.

THE ABOVE WARRANTIES ARE IN LIEU OF ALL OTHER WARRANTIES EXPRESSED OR IMPLIED. AND ALL IMPLIED WARRANTIES OF MERCHANTABILITY AND FITNESS FOR A PARTICULAR PURPOSE WHICH EXCEED THE AFORESAID EXPRESSED WARRANTIES ARE HEREBY DISCLAIMED AND EXCLUDED FROM THIS AGREEMENT. MARLEY ENGINEERED PRODUCTS SHALL NOT BE LIABLE FOR CONSEQUENTIAL DAMAGES ARISING WITH RESPECT TO THE PRODUCT, WHETHER BASED UPON NEGLIGENCE, TORT, STRICT LIABILITY, OR CONTRACT.

Some states do not allow the exclusion or limitation of incidental or consequential damages, so the above exclusion or limitation may not apply to you. This warranty gives you specific legal rights, and you may also have other rights which vary from state to state.

For the address of your nearest authorized service center, contact Marley Engineered Products in Bennettsville, SC, at 1-800-642-4328. Merchandise returned to the factory must be accompanied by a return authorization and service identification tag, both available from Marley Engineered Products. When requesting return authorization, include all catalog numbers shown on the products.

HOW TO OBTAIN WARRANTY SERVICE AND WARRANTY PARTS PLUS GENERAL INFORMATION

- | | |
|--------------------------------|---|
| 1. Warranty Service or Parts | 1-800-642-4328 |
| 2. Purchase Replacement Parts | 1-800-654-3545 |
| 3. General Product Information | www.marlymep.com |

Note: When obtaining service always have the following:

1. Model number of the product
2. Date of manufacture
3. Part number or description



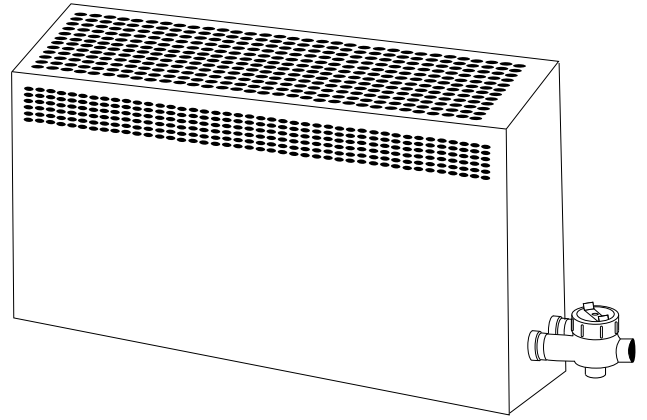
470 Beauty Spot Rd. East
Bennettsville, SC 29512 USA

5200-2472-002

ECR 39003
02/11



Marley
Engineered Products



**Calentador a convección
para ubicaciones riesgosas
Serie G
(Modelo B)**

GENERAL

Los calentadores a convección de tipo Serie G están diseñados para usar en ambientes riesgosos de Clase I, Div. I. Las unidades sin opciones de control son adecuados para áreas clasificadas como Grupos B, C y D. Las unidades con controles integrados pueden proveerse para los grupos C y D o B, C y D. Referirse a la clasificación estampada en la placa de especificaciones del calentador.

ADVERTENCIA: Para prevenir la combustión en atmósferas riesgosas, este calentador no debe instalarse en áreas donde los vapores o gases estén presentes con una temperatura de combustión menores de 280°C (536°F) (T2A) a 1.8kV, 3.6kV, 4.5kV, 7.2kV, 9.0kV R 180°C (356°F)(T3A) a 1.6kV, 3.2kV y 4.0k.

ADVERTENCIA: Estos calentadores no deben operarse en temperaturas ambiente que excedan los 40°C (104°F).

NOTA: El Artículo 500 del Código Eléctrico Nacional (NEC) define los requerimientos para la instalación de equipo eléctrico en ubicaciones riesgosas (Clasificadas)

1. Conectar los calentadores sólo al mismo voltaje de línea que en la placa de especificaciones del calentador.
2. Todos los controles tales como el termostato y el contactor, cuando es requerido, deben tener la misma clasificación nominal de la característica a prueba de explosión que el calentador.
3. No instalar una unidad sobre la otra.
4. Las unidades deben montarse a un mínimo de 8" sobre el piso.
5. Los calentadores deben montarse sobre la pared en una posición horizontal con el extremo terminal a la derecha solamente. No empotrar **nunca** el calentador en una pared.
6. Todos los adaptadores de instalación eléctrica de la unidad, conductos, cableado y sellos deben cumplir con los códigos NEC y locales para ubicaciones riesgosas. Se requiere protección de fusible o de interruptor de circuito de la línea externa.
7. **Riesgo de choque eléctrico. El calentador debe conectarse efectivamente a tierra de acuerdo con el Código Eléctrico Nacional.**
8. El no entender y observar estas instrucciones de instalación y las notas de "ADVERTENCIA" contenidas aquí, puede resultar en lesiones personales graves, muerte o daños substanciales a la propiedad.

GUARDAR ESTAS INSTRUCCIONES

INSTALACION

ADVERTENCIA: Riesgo de choque eléctrico. Desconectar toda la electricidad antes de instalar el calentador.

Nota: Los calentadores pueden montarse individualmente de extremo a extremo. Los calentadores pueden montarse directamente sobre cualquier tipo de superficie (mampostería, concreto, bloque, paredes enyesadas, marco de trabajo de metal, etc.) usando el herraje apropiado.

1. Extraer el panel delantero extrayendo los pernos roscados.
2. Ubicar la posición deseada del calentador en la pared.
3. Ubicar los orificios de montaje para el panel posterior. El panel posterior debe estar a un mínimo de 8" desde el piso.
4. Referirse a la Figura 1A, 1B, ó 1C para la disposición de los orificios de montaje para cada tamaño del armazón.

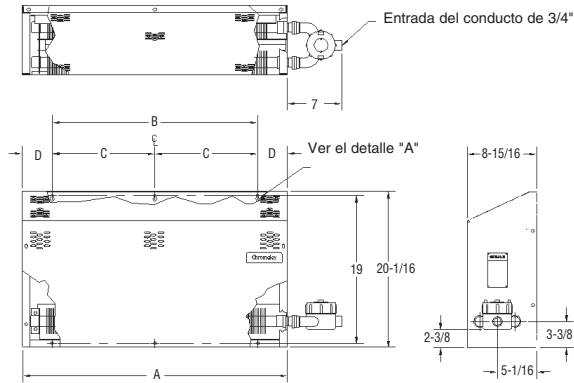
5. Taladrar un orificio piloto en la superficie de montaje de la pared en cada ubicación del orificio de montaje. Usar un taladro de tamaño pequeño conveniente.
6. Taladrar los orificios de montaje de acuerdo con el tamaño en la Tabla 1. Insertar los anclas donde sea aplicable.
7. Fijar el panel posterior a la pared con los tornillos notados en la Tabla 1.

ADVERTENCIA: No se debe operar nunca el calentador sin el panel delantero. El flujo de aire a través de los elementos térmicos requiere que el panel delantero esté en su lugar. Es posible sufrir lesiones del elemento térmico caliente con la cubierta delantera extraída.

INSTALACION

MODELOS DE SERIE G SIN CONTROLES - GRUPOS B, C Y D

Figura 1A

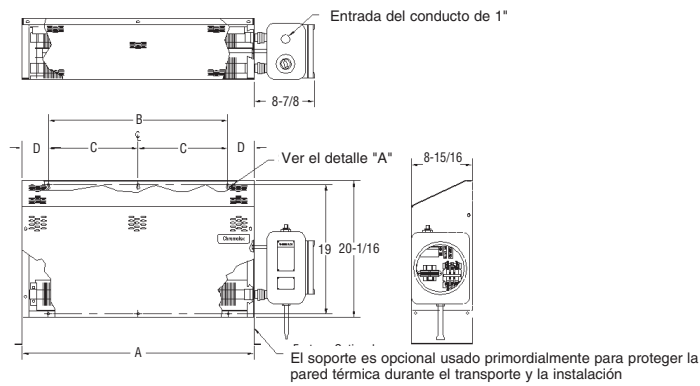


Dimensiones (Pulg.)

KW	A	B	C	D
1.6 1.8 3.6	34	20	N/A	7
3.2 7.6	58	32	16	13
4.0 4.5 9.0	70	48	24	11

MODELOS DE SERIE G CON CONTROLES INTEGRADOS - GRUPOS B, C Y D

Figura 1B

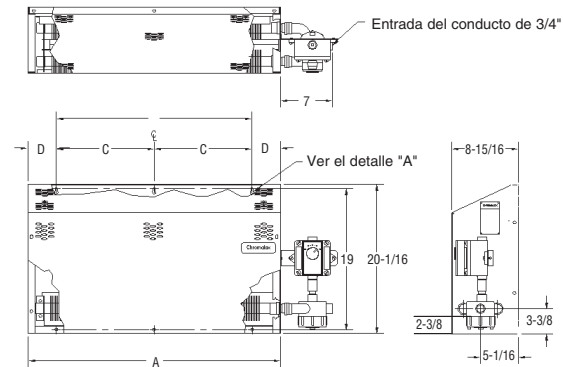


Dimensiones (Pulg.)

kW	A	B	C	D
1.6 1.8 3.6	34	20	N/A	7
3.2 7.6	58	32	16	13
4.0 4.5 9.0	72	48	24	11

MODELOS DE SERIE G CON TERMOSTATO SOLAMENTE - GRUPOS C Y D

Figura 1C

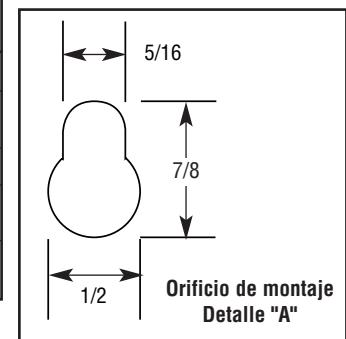


Dimensiones (Pulg.)

kW	A	B	C	D
1.6 1.8 3.6	34	20	N/A	7
3.2 7.6	58	32	16	13
4.0 4.5 9.0	70	48	24	11

Tabla 1 - Tornillos de montaje sugeridos del calentador - Tipos y Tamaños

Tipo de superficie de montaje	** Ferretería de accesorios	Tipo de tornillo	Tamaño y tipo del taladro	Tamaño d/torn.p/adap. al tam. d/orif. d/mont.
Bloque de concreto Mampostería	Ackerman	Acer. d/máq. d/cab. red.	Mampostería de 1/2"	† 1/4" x 20 x.....lg
	Ancla de plomo	Acer. d/máq. d/cab. red. o de cab. pan de metal (autoroscante)	Mampostería de 5/16"	† # 1/4" x.....lg
Montantes de madera	---	Madera o Metal (autoroscante)	---	† # 1/4" x.....lg
Pared de yeso hueca o de tipo similar	---	Perno oscil.	Giro no. 7	† # 1/4" x.....lg
* Columna de metal, canal, etc.	Tuercas Arandelas	Acer. d/máq. d/cab. red.	Giro no. 7	† 1/4" x 20 x.....lg



* Si la distancia lo permite usar arandela, arandela y tuerca de seguridad; de otra manera taladrar y roscar a esos largos, agregar el espesor de la columna, arandelas, tuerca, etc.

** Si la estructura de montaje lo permite. Excepto para paredes huecas de sello pueden usarse anclas de tipo explosivo. Debe usarse el tamaño sugerido indicado en la Tabla y/o esquemas, para determinar el tamaño de los anclas.

† Seleccionar el largo total del tornillo para proporcionar un mínimo de 5 pulgadas dentro del material de base de la pared

CABLEADO

ADVERTENCIA: Riesgo de choque eléctrico. Toda instalación que incluya calentadores eléctricos debe conectarse a tierra de acuerdo con el Código Eléctrico Nacional.

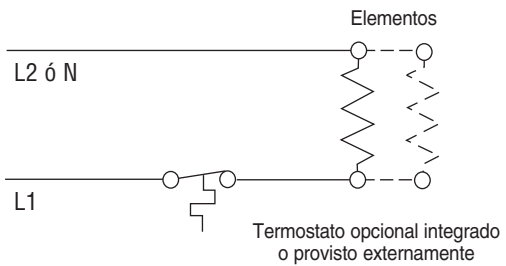
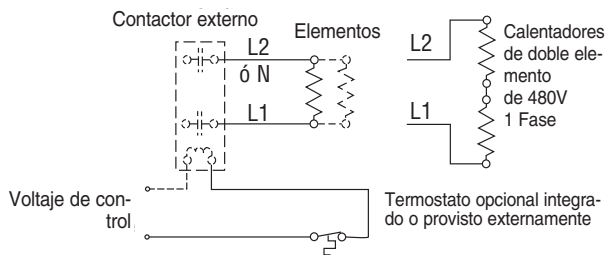
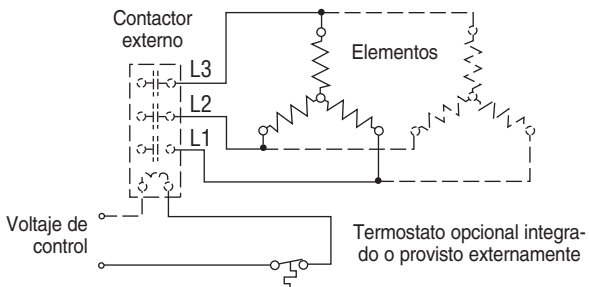
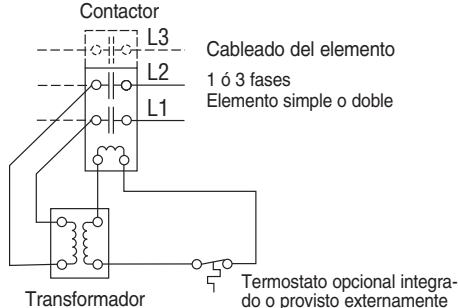
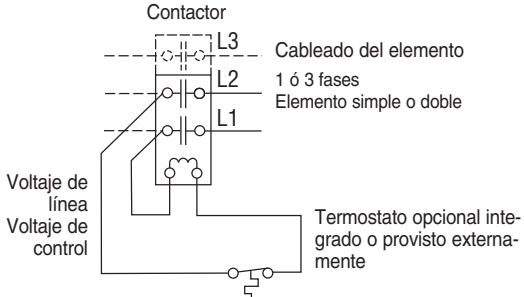
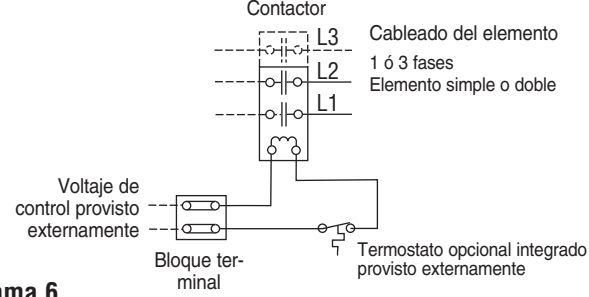
1. Todo el cableado debe efectuarse de acuerdo con los códigos locales y el Código Eléctrico Nacional por una persona calificada según definido en el NEC.

ADVERTENCIA: Usar conductores de cobre solamente.

2. Cablear a la unidad desde la línea de una manera aprobada para ubicaciones riesgosas. (Ver la advertencia de abajo).
3. Cablear según los diagramas 1 a 6 basado en la clasificación nominal y las opciones de control listadas en la tabla 2. Para las especificaciones de amperaje referirse a la Tabla 3.

4. Extraer la cubierta de la caja de conducto para las conexiones. Usar cualquiera de las aberturas y taponar la otra con el tapón provisto.
5. En las unidades monofásicas (excepto de 480V) los calentadores deben cablearse en paralelo, combinando L1 a L1, L2 a L2 y para una unidad trifásica, L3 a L3. En las unidades monofásicas de 480V los elementos deben cablearse en serie.
6. Reensamblar la cubierta con un mínimo de 7 vueltas.

ADVERTENCIA: (Atmósferas de Grupo B) Para prevenir la combustión en atmósferas de Grupo B, las longitudes de los conductos no deben exceder 3/4" en tamaño y todos los largos de conducto de tamaño de 1/2" y mayores deben tener un adaptador sellador conectado dentro de 2", 6" ó 18" del armazón del terminal dependiendo del modelo exacto. Referirse a los datos ubicados en el rótulo del armazón.

<p>Monofásico - Sin controles, 120-277V y amp. del calentador < 22A</p>  <p>Diagrama 1</p>	<p>Monofásico - Sin controles, Voltios > 277V y 120-277 cuando los amp. del calentador > 22A</p>  <p>Diagrama 2</p>
<p>Trifásico - Sin controles</p>  <p>Diagrama 3</p>	<p>Mono o trifásico con controles - Contactor y Transformador</p>  <p>Diagrama 4</p>
<p>Mono o trifásico con controles - Control de contactor y de voltaje de línea</p>  <p>Diagrama 5</p>	<p>Mono o Trifásico con controles - Contactor y voltaje de control provisto externamente</p>  <p>Diagrama 6</p>

OPERACION

PRECAUCION: Los usuarios deben instalar controles adecuados y mecanismos de seguridad con su equipo calentador eléctrico. Donde las consecuencias de una falla pueden ser graves, son esenciales los controles auxiliares. La seguridad de la instalación es la responsabilidad del usuario.

1. No operar el calentador a voltajes en exceso del estampado en el calentador dado que el exceso de voltaje acortará la duración del calentador y causará temperaturas elevadas del elemento las que pueden exceder las temperaturas permisibles de operación en una atmósfera riesgosa

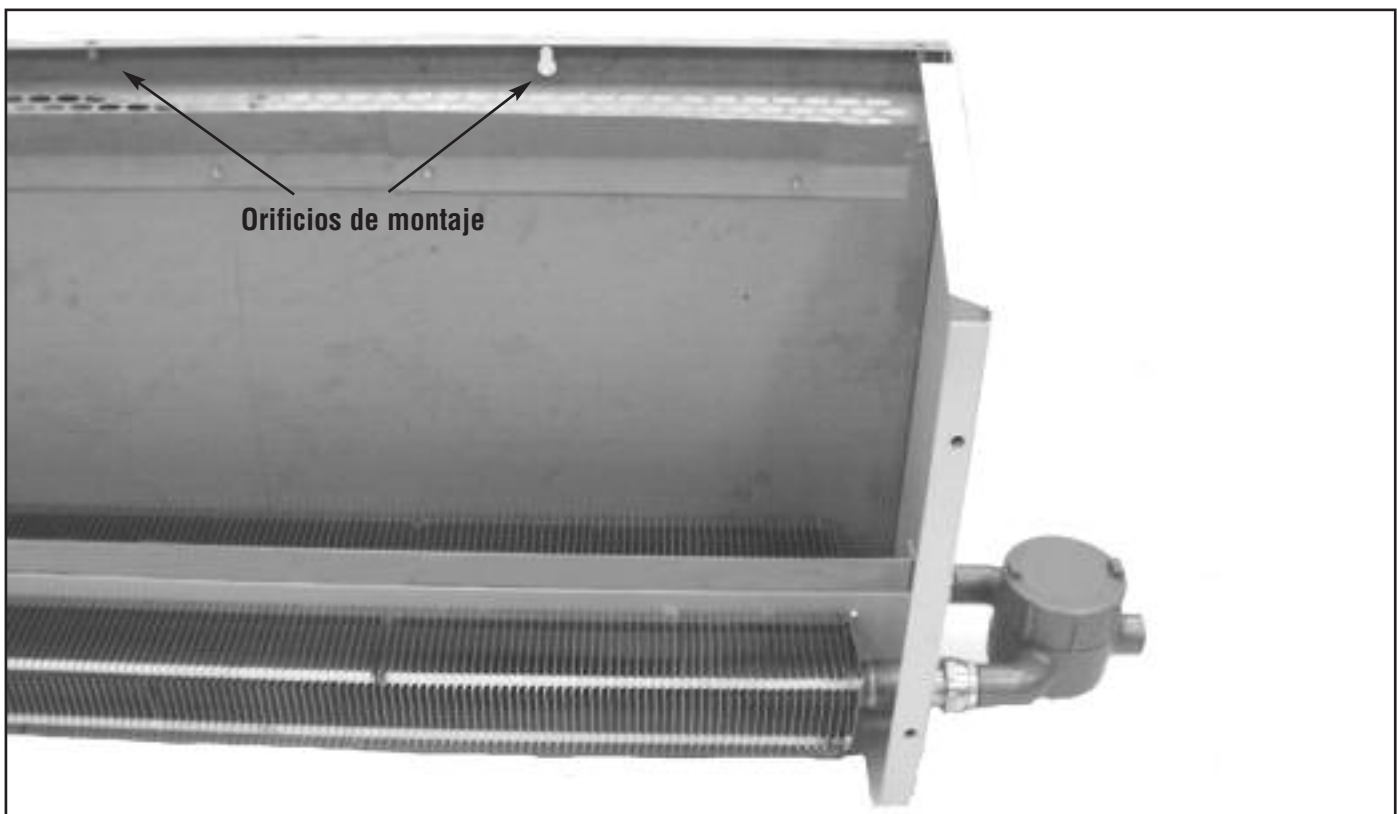
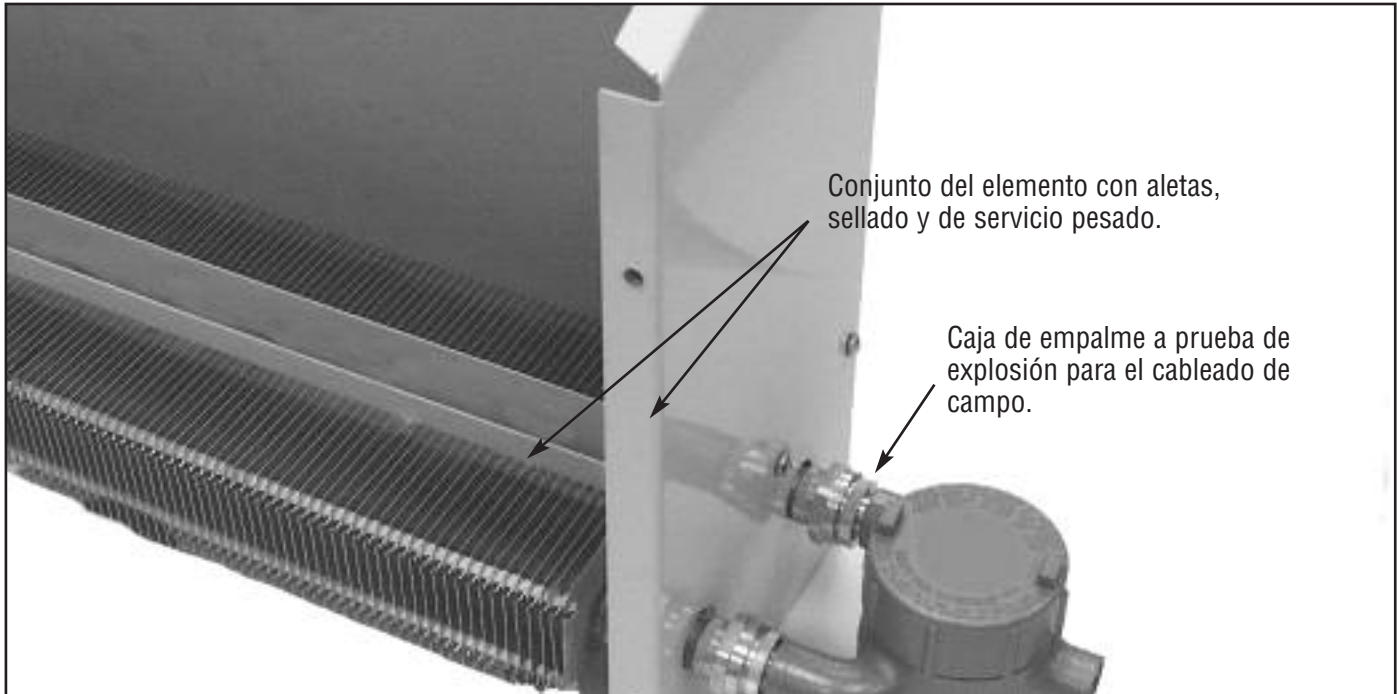
MANTENIMIENTO

ADVERTENCIA: Riesgo de choque. Desconectar toda la electricidad entrante al calentador antes de prestar servicio o reemplazar los calentadores.

1. Antes de activar para la próxima temporada de calefacción, aspirar o usar aire comprimido para eliminar el polvo o pelusa acumulada, lo que de otra manera puede restringir el flujo apropiado de aire.

2. Inspeccionar periódicamente las conexiones eléctricas y reajustar para evitar dificultades en el cableado eléctrico.

3. Inspeccionar para asegurar que la cubierta del terminal esté bien cerrada antes de activar.



DETALLE DEL NUMERO DE MODELO

Modelo

Serie G

Calentador a convección a prueba de explosión

G	<u>Clasificación nominal de temperatura</u>					
	Código	kV	Número de ident.	°F	°C	(BTU)
↓	160	1.6	T3A	356	180	5,500
	180	1.8	T2A	536	280	6,150
	320	3.2	T3A	356	180	11,000
	360	3.6	T2A	536	280	12,300
	400	4.0	T3A	356	180	13,600
	450	4.5	T2A	536	280	15,350
	760	7.6	T2A	536	280	25,930
	900	9.0	T2A	536	280	30,700
↓	Código		Voltaje	kV máx. permisible		
	0		120	1.8		
	4		240	9.0		
	38		380	9.0		
	48		480	9.0		
	6		600	9.0		
	7		277	9.0		
	8		208	9.0		
↓	Código		Fase			
	1		1Ø			
	3		3Ø (No está disponible en 120, 277V)			
↓	Código		Combinación de control			
			Combinación de control	Secundario de transformador		
	CX CX*		Ninguno 24 Voltios 120 Voltios	Ninguno 24 Voltios 120 Voltios		
↓	Código		Control de temperatura			
	TB		Ninguno Termostato 40 - 90°F			
	T		Grupo B, C y D Termostato de Grupos C y D 50 - 90°F			
G	760	48	3	CX	T	

Nota: La letra "B" aparecerá después del código de fase para indicar la versión de ingeniería.

TABLA 2 - ESPECIFICACIONES DE TEMPERATURA
DIMENSIONES REPUESTOS REQUERIMIENTO DE ELEMENTOS

Clasificación nominal de temperatura T3A 356°F (180°C)

Común a las unidades con o sin sufijo B

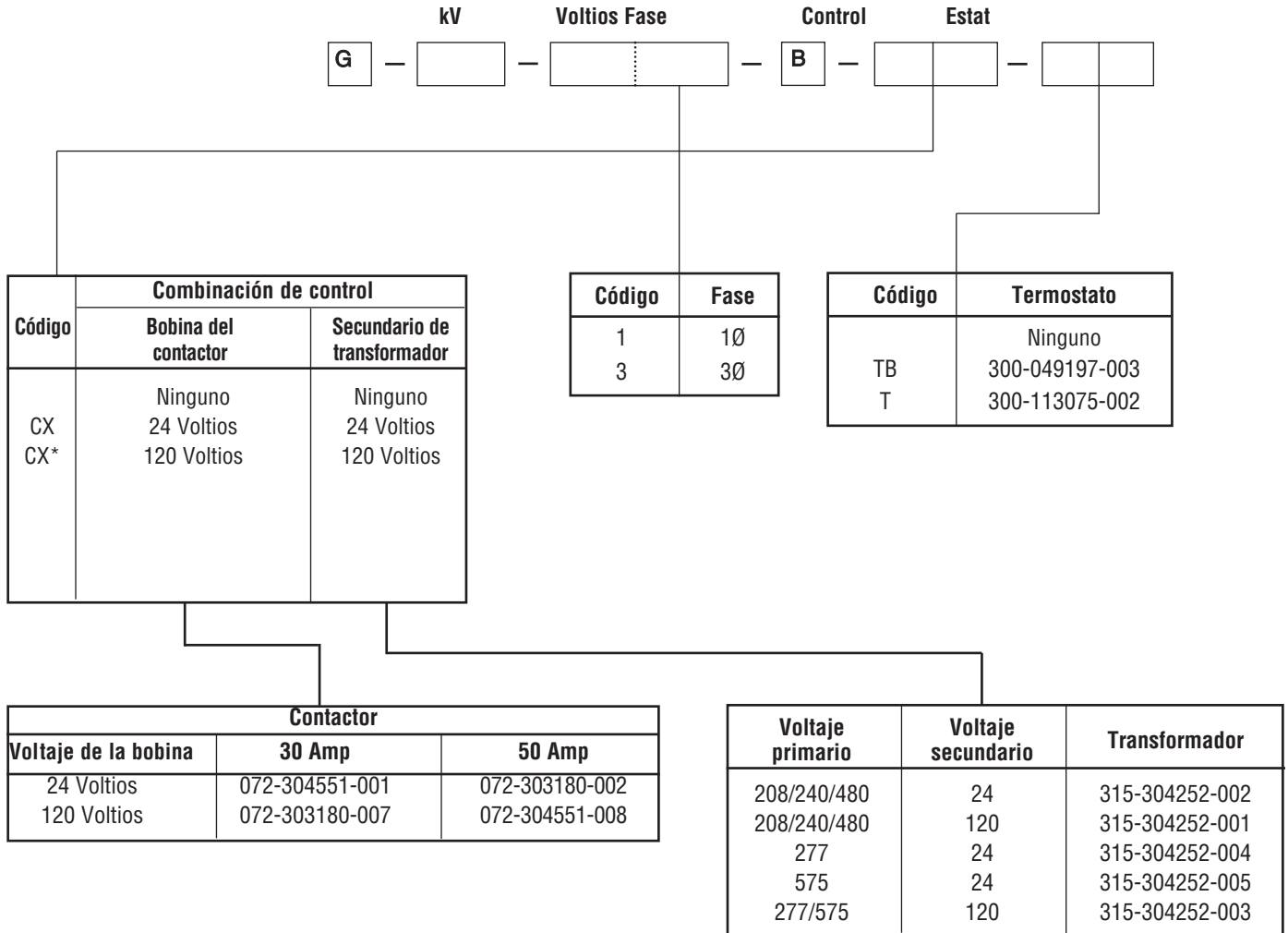
kV	BTU	Voltios	Fases	Amps	Modelo	Ancho A	Altura B	Largo C	Peso (Lbs.)	N/P d/elem.	cant.
1.6	5,500	208	1	7.7	G16081	34"	20"	9"	58	003-304650-002	2
1.6	5,500	208	3	4.4	G16083	34"	20"	9"	58	003-304650-005	2
1.6	5,500	240	1	6.7	G16041	34"	20"	9"	58	003-304650-096	2
1.6	5,500	240	3	3.8	G16043	34"	20"	9"	58	003-304650-006	2
1.6	5,500	277	1	5.8	G16071	34"	20"	9"	58	003-304650-004	2
1.6	5,500	480	1	3.3	G160481	34"	20"	9"	58	003-304650-003	2
1.6	5,500	480	3	1.9	G160483	34"	20"	9"	58	003-304650-009	2
1.6	5,500	575	3	1.6	G16063	34"	20"	9"	58	003-304650-010	2
<hr/>											
3.2	11,000	208	1	15.4	G32081	58"	20"	9"	94	003-304650-023	2
3.2	11,000	208	3	8.9	G32083	58"	20"	9"	94	003-304650-026	2
3.2	11,000	240	1	13.3	G32041	58"	20"	9"	94	003-304650-093	2
3.2	11,000	240	3	7.7	G32043	58"	20"	9"	94	003-304650-027	2
3.2	11,000	277	1	11.6	G32071	58"	20"	9"	94	003-304650-025	2
3.2	11,000	480	1	6.7	G320481	58"	20"	9"	94	003-304650-093	2
3.2	11,000	480	3	3.8	G320483	58"	20"	9"	94	003-304650-030	2
3.2	11,000	575	3	3.2	G32063	58"	20"	9"	94	003-304650-031	2
<hr/>											
4.0	13,600	208	1	19.2	G40081	70"	20"	9"	112	003-304650-045	2
4.0	13,600	208	3	11.1	G40083	70"	20"	9"	112	003-304650-048	2
4.0	13,600	240	1	16.7	G40041	70"	20"	9"	112	003-304650-046	2
4.0	13,600	240	3	9.6	G40043	70"	20"	9"	112	003-304650-049	2
4.0	13,600	277	1	14.4	G40071	70"	20"	9"	112	003-304650-047	2
4.0	13,600	480	1	8.3	G400481	70"	20"	9"	112	003-304650-046	2
4.0	13,600	480	3	4.8	G400483	70"	20"	9"	112	003-304650-052	2
4.0	13,600	575	3	7.0	G40063	70"	20"	9"	112	003-304650-053	2

Clasificación nominal de temperatura T2A 536°F (280°C)

kV	BTU	Voltios	Fases	Amps	Modelo	Ancho A	Altura B	Largo C	Peso (Lbs.)	N/P d/elem.	cant.
1.8/3.6	6,150/12,300	208	1	8.7/17.3	G(180)36081	34"	20"	9"	46/58	003-304650-034	1 or 2
1.8/3.6	6,150/12,300	208	3	5.0/10.0	G(180)36083	34"	20"	9"	46/58	003-304650-038	1 or 2
1.8/3.6	6,150/12,300	240	1	7.5/15.0	G(180)36041	34"	20"	9"	46/58	003-304650-098	1 or 2
1.8/3.6	6,150/12,300	240	3	4.3/8.7	G(180)36043	34"	20"	9"	46/58	003-304650-039	1 or 2
1.8/3.6	6,150/12,300	277	1	6.5/13.0	G(180)36071	34"	20"	9"	46/58	003-304650-036	1 or 2
1.8/3.6	6,150/12,300	480	1	3.8/7.5	G(180)360481	34"	20"	9"	46/58	003-304650-037/-098	1 or 2
1.8/3.6	6,150/12,300	480	3	2.2/4.3	G(180)360483	34"	20"	9"	46/58	003-304650-042	1 or 2
1.8/3.6	6,150/12,300	575	3	1.8/3.6	G(180)36063	34"	20"	9"	46/58	003-304650-043	1 or 2
<hr/>											
7.6	25,930	208	1	36.5	G76081	58"	20"	9"	94	003-304650-055	2
7.6	25,930	208	3	21.1	G76083	58"	20"	9"	94	003-304650-058	2
7.6	25,930	240	1	31.7	G76041	58"	20"	9"	94	003-304650-099	2
7.6	25,930	240	3	18.3	G76043	58"	20"	9"	94	003-304650-059	2
7.6	25,930	277	1	27.4	G76071	58"	20"	9"	94	003-304650-057	2
7.6	25,930	480	1	15.8	G760481	58"	20"	9"	94	003-304650-056	2
7.6	25,930	480	3	9.1	G760483	58"	20"	9"	94	003-304650-062	2
7.6	25,930	575	3	7.6	G76063	58"	20"	9"	94	003-304650-063	2
<hr/>											
4.5/9.0	15,350/30,700	208	1	21.6/43.3	G(450)90081	70"	20"	9"	87/112	003-304650-065	1 or 2
4.5/9.0	15,350/30,700	208	3	12.5/25.0	G(450)90083	70"	20"	9"	87/112	003-304650-069	1 or 2
4.5/9.0	15,350/30,700	240	1	18.8/37.5	G(450)90041	70"	20"	9"	87/112	003-304650-100	1 or 2
4.5/9.0	15,350/30,700	240	3	10.8/21.7	G(450)90043	70"	20"	9"	87/112	003-304650-070	1 or 2
4.5/9.0	15,350/30,700	277	1	16.2/32.5	G(450)90071	70"	20"	9"	87/112	003-304650-067	1 or 2
4.5/9.0	15,350/30,700	480	1	9.4/18.8	G(450)900481	70"	20"	9"	87/112	003-304650-068/-070	1 or 2
4.5/9.0	15,350/30,700	480	3	5.4/10.8	G(450)900483	70"	20"	9"	87/112	003-304650-073	1 or 2
4.5/9.0	15,350/30,700	575	3	4.5/9.0	G(450)90063	70"	20"	9"	87/112	003-304650-074	1 or 2

PIEZAS DE REPUESTO

Modelo Cualquier voltaje	Conj. de la cubierta del.	Conj. de la cubierta post.	Panel del lado der.	Panel del lado izq.	Brazo d/soporte d/elemento
1.6, 1.8, 3.6 KW	207-304644-101	207-304644-001	207-304644-201	304-304644-301	027-304646-001
3.2, 7.6 KW	207-304644-102	207-304644-002	207-304644-201	304-304644-301	027-304646-001
4.0, 4.5, 9.0 KW	207-304644-103	207-304644-003	207-304644-201	304-304644-301	027-304646-001



GARANTÍA LIMITADA

Todos los productos fabricados por Marley Engineered Products están garantizados contra defectos de mano de obra o materiales durante un año, a partir de la fecha de instalación. Esta garantía no se aplica a daños que resulten de accidentes, mal uso o alteraciones, ni a casos en los cuales el voltaje de alimentación sea más del 5% mayor que el voltaje especificado en la placa del producto. La garantía tampoco se aplica a equipo mal instalado o alambrado o cuyo mantenimiento se haya efectuado sin seguir las instrucciones de instalación del producto. Toda solicitud de trabajo amparado por la garantía deberá ir acompañada por un comprobante de la fecha de instalación.

El cliente será responsable de todos los costos incurridos por la remoción o reinstalación de los productos, incluyendo costos de mano de obra y transporte incurridos en la devolución de los productos al Centro de Servicio de Marley Engineered Products. Dentro de las limitaciones de esta garantía, la unidades inoperantes deberán devolverse al centro de servicio autorizado por Marley más cercano o al Centro de Servicio de Marley Engineered Products. Nosotros repararemos o reemplazaremos la unidad, a discreción nuestra y sin costo para el cliente, con el flete de retorno pagado por Marley. El cliente acepta que esta reparación o reemplazo será el único remedio que podrá exigir a Marley Engineered Products.

LAS GARANTÍAS ANTERIORES SUSTITUYEN A CUALQUIER OTRA GARANTÍA, YA SEA EXPLÍCITA O IMPLÍCITA. TODA GARANTÍA IMPLÍCITA DE COMERCIABILIDAD O IDONEIDAD PARA UN PROPÓSITO ESPECÍFICO QUE EXCEDA A LAS GARANTÍAS ANTERIORES QUEDARÁ EXCLUIDA DE ESTE ACUERDO. MARLEY ENGINEERED PRODUCTS NO SERÁ RESPONSABLE DE DAÑOS CONSECUENTES RELACIONADOS CON EL PRODUCTO, YA SEA QUE ESTÉN BASADOS EN NEGLIGENCIA, AGRAVIO, RESPONSABILIDAD ESTRICTA O CONTRATO.

Algunos estados no permiten la exclusión o limitación de los daños incidentales o consecuentes, por lo cual es posible que la exclusión o limitación anterior no sea aplicable en su caso. Esta garantía le otorga derechos legales específicos y usted podrá tener otros derechos que varíen de un estado al otro.

Si desea conocer la dirección del centro de servicio autorizado más cercano a usted, comuníquese con Marley Engineered Products en Bennettsville, Carolina del Sur, llamando al 1-800-642-4328. La mercancía devuelta a la fábrica deberá ir acompañada por una autorización de devolución y un marte de identificación de servicio, los cuales pueden obtenerse de Marley Engineered Products. Al solicitar la autorización de devolución, por favor incluya todos los números de catálogo que aparecen en los productos.

COMO OBTENER SERVICIO EN GARANTIA, PIEZAS DE REPUESTO E INFORMACION GENERAL

1. Servicio o repuestos, en garantía: **1-800-642-4328**
2. Compra de piezas de repuesto: **1-800-654-3545**
3. Información general sobre productos: **www.marleymep.com**

Nota: Cuando solicite servicio, siempre dé la información que sigue:

1. Número de modelo del producto
2. Fecha de fabricación
3. Número de parte o descripción



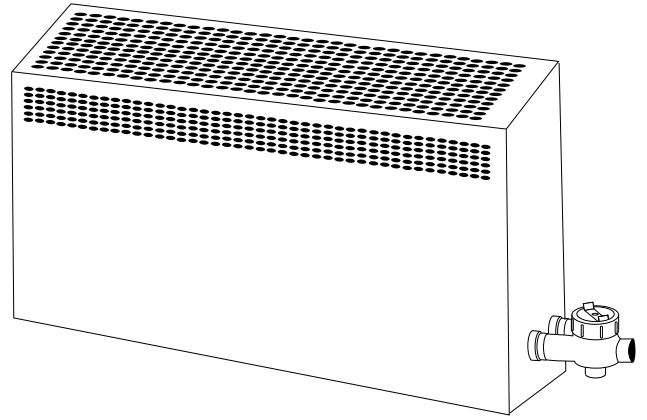
Marley
Engineered Products

470 Beauty Spot Rd. East
Bennettsville, SC 29512 USA

5200-2472-002



Marley
Engineered Products



Série G

(Modèle B)

Radiateur à convection pour les endroits dangereux



GÉNÉRALITÉS



Les radiateurs à convection de la série G sont conçus pour être utilisés dans les endroits dangereux Classe I, Div. I. Les unités sans les contrôles optionnels peuvent être utilisées dans les endroits classés Groupe B, C & D. Les unités avec contrôles incorporés peuvent être utilisées dans les endroits classés C & D ou B, C & D. Référez-vous à la classification imprimée sur la plaque signalétique du radiateur.

AVERTISSEMENT : *Pour éviter que les atmosphères inflammables ne prennent feu, ce radiateur ne doit pas être installé où les vapeurs et les gaz ont une température d'allumage inférieure à 280 °C (536 °F) (T2A) à 1,8 kW, 3,6 kW, 4,5 kW, 7,2 kW et 9,0 kW ou bien 180 °C (356 °F) (T2A) à 1,6 kW, 3,2 kW et 4,0 kW.*

AVERTISSEMENT : *Ces radiateurs ne doivent pas fonctionner dans une température ambiante supérieure à 40 °C (104 °F).*

NOTE: L'article 400 du Code national électrique (NEC) indique les conditions d'installation du matériel électrique dans les endroits classés dangereux

1. Ne connectez les radiateurs qu'à une alimentation correspondant à celle indiquée sur la plaque signalétique.
2. Tous les contrôles comme le thermostat et les contacteurs, le cas échéant, doivent avoir la même résistance aux explosions que le radiateur.
3. N'installez pas les unités les unes au-dessus des autres.
4. Les unités doivent être montées à au moins 8 pouces du sol.
5. Les radiateurs doivent être montés sur un mur dans une position horizontale avec le terminal sur le côté droit uniquement. N'encastrez jamais le radiateur dans le mur.
6. Toutes les connexions, les conduites, les câbles et les joints de l'installation électrique doivent respecter les normes NEC et les codes locaux concernant les endroits dangereux. Les lignes extérieures doivent être protégées par des fusibles ou un disjoncteur.
7. **Danger d'électrocution. Le radiateur doit être effectivement mis à la terre en respect du Code électrique national.**
8. Si vous ne comprenez pas ou ne respectez pas les instructions d'installation et les "AVERTISSEMENTS" contenu dans ce manuel, vous risquez des blessures graves ou même la mort et des dégâts matériels.

CONSERVEZ CES INSTRUCTIONS

INSTALLATION

AVERTISSEMENT: *Danger d'électrocution. Débranchez l'alimentation avant d'installer le radiateur.*

NOTE : Les radiateurs peuvent être montés individuellement bout à bout. Les radiateurs peuvent être montés directement sur tout type de surface (maçonnerie, murs en plâtre, charpente métallique, etc.) avec les vis appropriées.

1. Retirez la panneau avant en retirant les boulons filetés.
2. Identifiez la position désirée du radiateur sur le mur.
3. Positionnez les trous de montage du panneau arrière.
4. Référez-vous à la Figure 1A, 1B, ou 1C pour l'emplacement des trous de montage en fonction de la taille du radiateur.

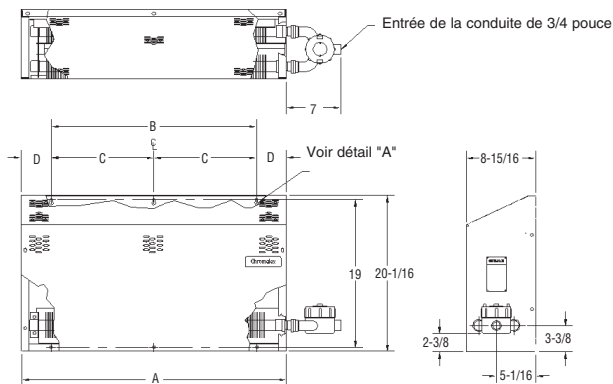
5. Percez un pré-trou dans la surface de montage du mur pour chaque trou. Utilisez un petit foret.
6. Percez les trous de montage selon les dimensions du Tableau 1. Insérez des chevilles si nécessaire.
7. Fixez le panneau arrière avec les vis indiquées dans le Tableau 1.

AVERTISSEMENT: *N'utilisez jamais le radiateur sans le panneau avant. Le flux d'air sur les éléments chauffants nécessite que le panneau avant soit en place. Vous risquez des blessures lorsque le panneau avant n'est pas en place.*

INSTALLATION

MODÈLES SÉRIE G SANS LES CONTRÔLES – GROUPES B, C ET D

Figure 1A

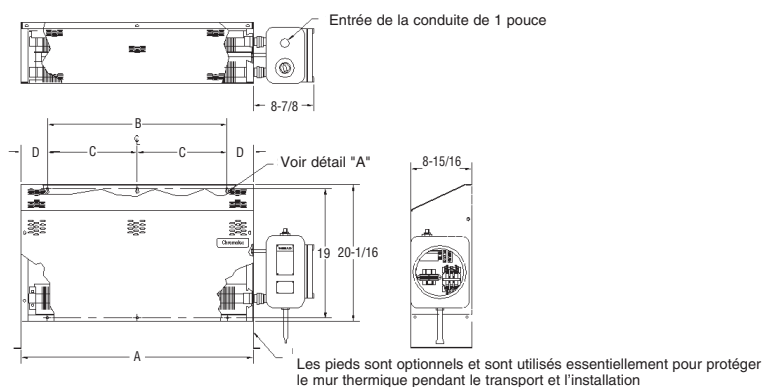


Dimensions (pouces)

KW	A	B	C	D
1.6 1.8 3.6	34	20	N/A	7
3.2 7.6	58	32	16	13
4.0 4.5 9.0	70	48	24	11

MODÈLES SÉRIE G AVEC LES CONTRÔLES INCORPORÉS – GROUPES B, C ET D

Figure 1B

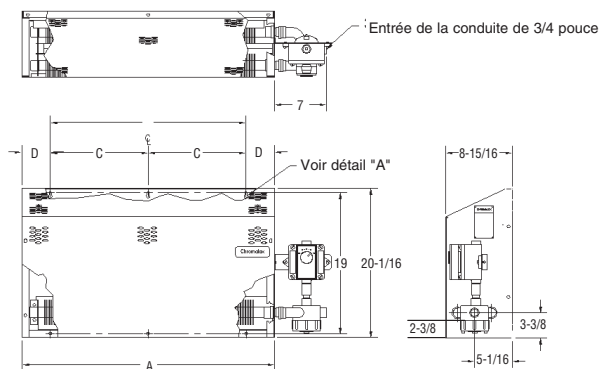


Dimensions (pouces)

kW	A	B	C	D
1.6 1.8 3.6	34	20	N/A	7
3.2 7.6	58	32	16	13
4.0 4.5 9.0	72	48	24	11

MODÈLES SÉRIE G AVEC THERMOSTAT UNIQUEMENT – GROUPES C ET D

Figure 1C



Dimensions (pouces)

kW	A	B	C	D
1.6 1.8 3.6	34	20	N/A	7
3.2 7.6	58	32	16	13
4.0 4.5 9.0	70	48	24	11

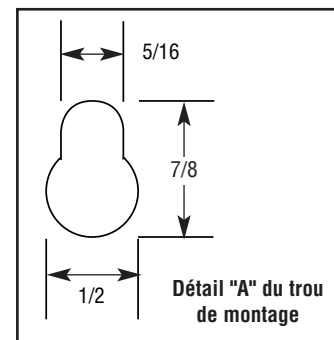
Tableau 1 – Vis de montage suggérées – types et tailles

Type de surface de montage	** Quincaillerie accessoire	Type de vis	Type et taille du foret	Dimensions de la vis
Maçonnerie en parpaing	Ackerman	Tête ronde, vis à métal en acier	1/2 pouce, maçonnerie	† 1/4 pouce x 20 x lg
	Cheville	Tête ronde, vis à métal ou tête plate auto-taraudeuse	5/16 pouce, maçonnerie	† 1/4 pouce x lg
Poteaux en bois	—	Bois ou métal auto-taraudeuse	—	† 1/4 pouce x lg
Mur creux avec plâtre ou similaire	—	boulon	n° 7 normal	† 1/4 pouce x lg
* Poutre ou U métallique, etc.	Écrous rondelles	Vis tête ronde en acier	n° 7 normal	† 1/4 pouce x 20 x lg

* Si vous avez la place, utilisez une rondelle, un rondelle de verrouillage et un écrou. Dans le cas contraire, percez en utilisant ces dimensions et ajoutez l'épaisseur de la poutre, des rondelles, de l'écrou, etc.

** Si la structure de montage le permet. Vous pouvez utiliser les chevilles de type explosif sauf pour les murs creux plâtrés. Utilisez les dimensions notées dans le Tableau et/ou sur les diagrammes pour vous aider à déterminer la taille des chevilles.

† Sélectionnez la taille des vis pour obtenir une pénétration d'au moins 1 pouce dans le matériau de base du mur.



CÂBLAGE

AVERTISSEMENT : Danger d'électrocution. Toute installation de radiateurs électriques doit être effectivement mise à la terre en respect du Code électrique national.

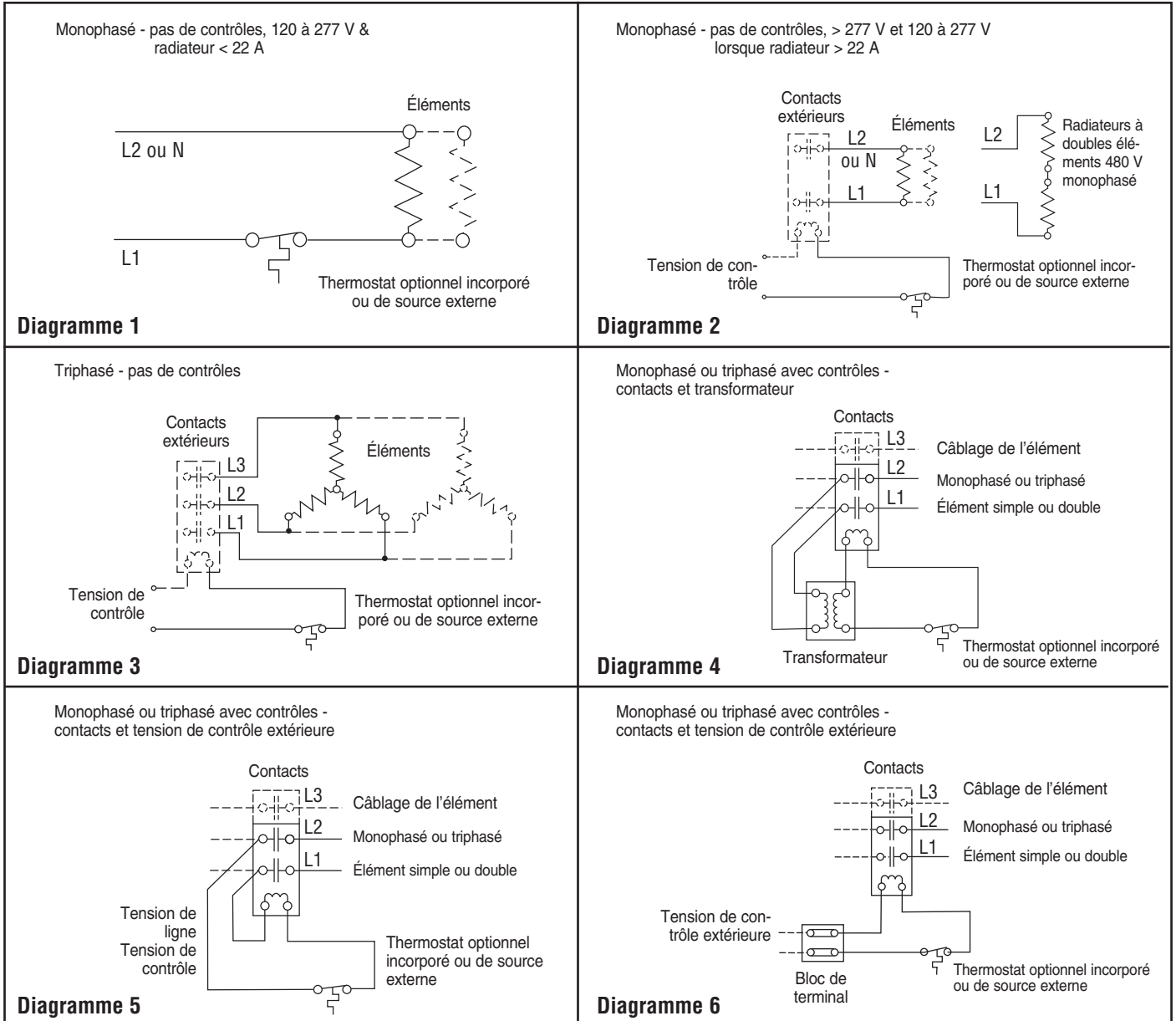
1. Tout le câblage doit être fait en accord avec les codes locaux et le Code électrique national par une personne qualifiée selon la définition NEC.

AVERTISSEMENT : N'utilisez que des conducteurs en cuivre.

2. Préparez l'arrivée électrique vers l'unité de manière approuvée pour les endroits dangereux (voir l'avertissement ci-dessous).
3. Câblez selon les diagrammes 1 à 6 en fonction de la puissance et des options de contrôle listées dans le tableau 2. Référez-vous au tableau 3 pour les caractéristiques d'ampérage.

4. Retirez le couvercle du boîtier pour accéder aux connexions. Utilisez une des deux ouvertures et bouchez l'autre avec le bouchon fourni.
5. Pour les unités monophasées (sauf 480 V), les radiateurs doivent être câblés en parallèle, en connectant L1 à L1 et L2 à L2 et pour les unités triphasées L3 à L3. Sur les unités monophasées de 480 V, les éléments doivent être connectés en série.
6. Remontez le couvercle avec au moins 7 tours.

AVERTISSEMENT : (atmosphères groupe B) Pour éviter l'allumage des atmosphères de groupe B, les tronçons de conduites ne doivent pas faire plus de 3/4 pouce et toutes les conduites de 1/2 pouce ou plus doivent être munies d'un connecteur hermétique à 2, 6 ou 18 pouces du placard de terminal selon le modèle exact. Pour connaître le placement exact, référez-vous aux données sur l'étiquette du boîtier.



UTILISATION

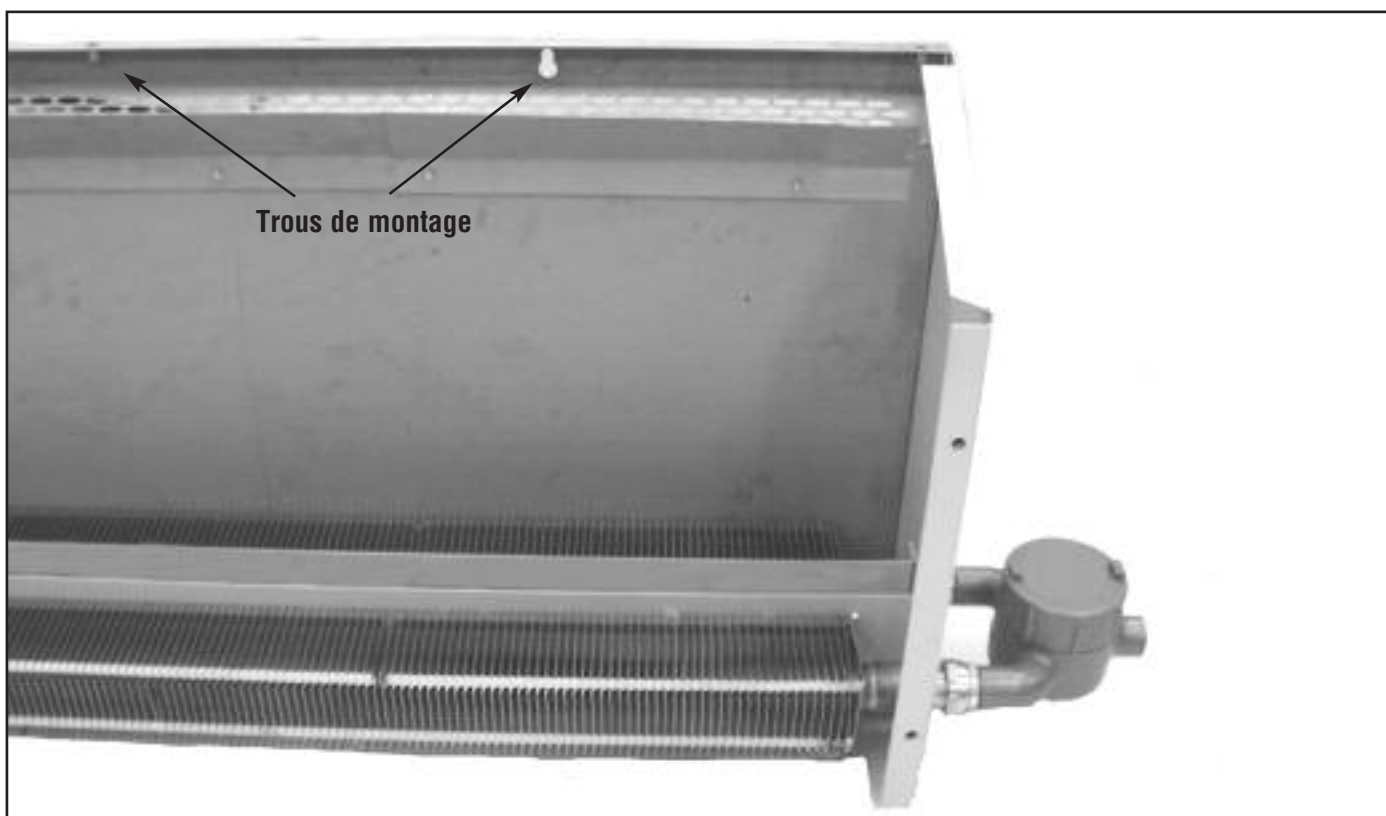
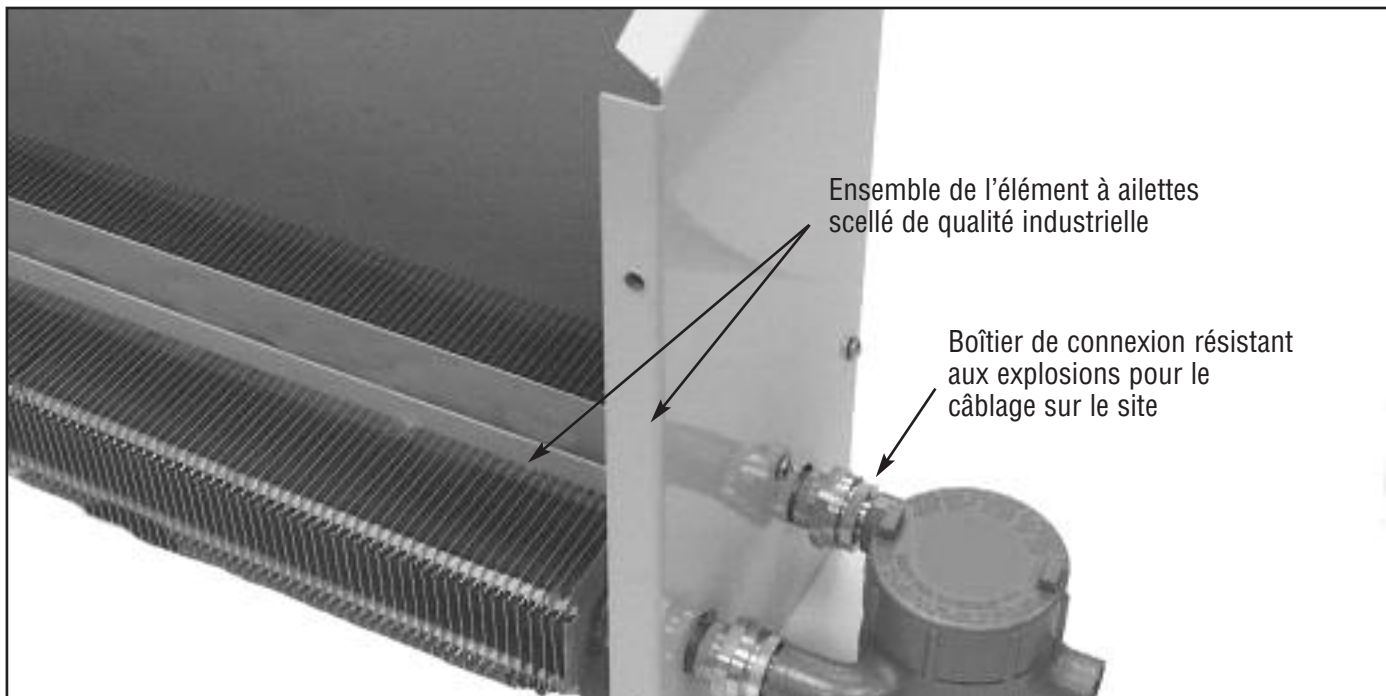
ATTENTION: Vous devez installer des contrôles et des systèmes de sécurité adéquats avec les radiateurs électriques. Si les conséquences d'une panne risquent d'être sévères, il est essentiel que vous installiez des contrôles redondants. La sécurité de l'installation est la responsabilité de l'utilisateur.

1. N'utilisez pas le radiateur à des tensions supérieures à celles indiquées sur l'étiquette car une surtension diminuerait la durée de vie du radiateur et pourrait entraîner des températures d'éléments trop élevées qui pourraient dépasser les températures de fonctionnement autorisées dans un endroit dangereux

ENTRETIEN

AVERTISSEMENT : Danger d'électrocution. Débranchez l'alimentation électrique du radiateur avant de réparer ou de remplacer l'unité.

1. Nettoyez le radiateur à l'aspirateur ou au jet d'eau (à la pression du robinet) avant de le mettre en marche pour la prochaine saison froide pour retirer la poussière et les saletés accumulées qui pourraient gêner le flot d'air.
2. Vérifiez périodiquement toutes les connexions électriques et resserez-les pour éviter les difficultés de câblage.
3. Vérifiez que le couvercle de terminal est bien fermé avant de mettre le radiateur en route.



DÉCODAGE DU NUMÉRO DE MODÈLE

Modèle

Série G

Radiateur à convection résistant aux explosions

G	<u>Température maximum</u>					
	Code	kW	Numéro identifiant	°F	°C	(BTU)
↓	160	1.6	T3A	356	180	5,500
	180	1.8	T2A	536	280	6,150
	320	3.2	T3A	356	180	11,000
	360	3.6	T2A	536	280	12,300
	400	4.0	T3A	356	180	13,600
	450	4.5	T2A	536	280	15,350
	760	7.6	T2A	536	280	25,930
	900	9.0	T2A	536	280	30,700
↓	Code	Tension	Puissance maximum kW			
	0	120	1.8			
	4	240	9.0			
	38	380	9.0			
	48	480	9.0			
	6	600	9.0			
	7	277	9.0			
8	208	9.0				
↓	Code	Phase				
	1	1Ø				
	3	3Ø (Non disponible en 120 et 277 V)				
↓	Code	<u>Différentes combinaisons</u>				
		Bobine de contact	Secondaire du transformateur			
	CX	Aucun	Aucun			
		24 V	24 V			
		120 V	120 V			
↓	Code	Contrôle de température				
	TB	Aucun				
		Thermostat 40 à 90 °F				
		Groupe B, C & D				
	T	Thermostat groupe C & D				
		50 à 90 °F				
↓	↓	↓	↓	↓	↓	↓
G	760	48	3	CX	T	

N.B. : La lettre "B" apparaît après chaque code de phase pour indiquer la version d'ingénierie.

TABLEAU 2 - CARACTÉRISTIQUES DE TEMPÉRATURE
DIMENSIONS PIÈCES DE RECHANGE CARACTÉRISTIQUES DES ÉLÉMENTS

Température maximum T3A 356 °F (180°C)

Commun aux unités avec et sans suffixe B

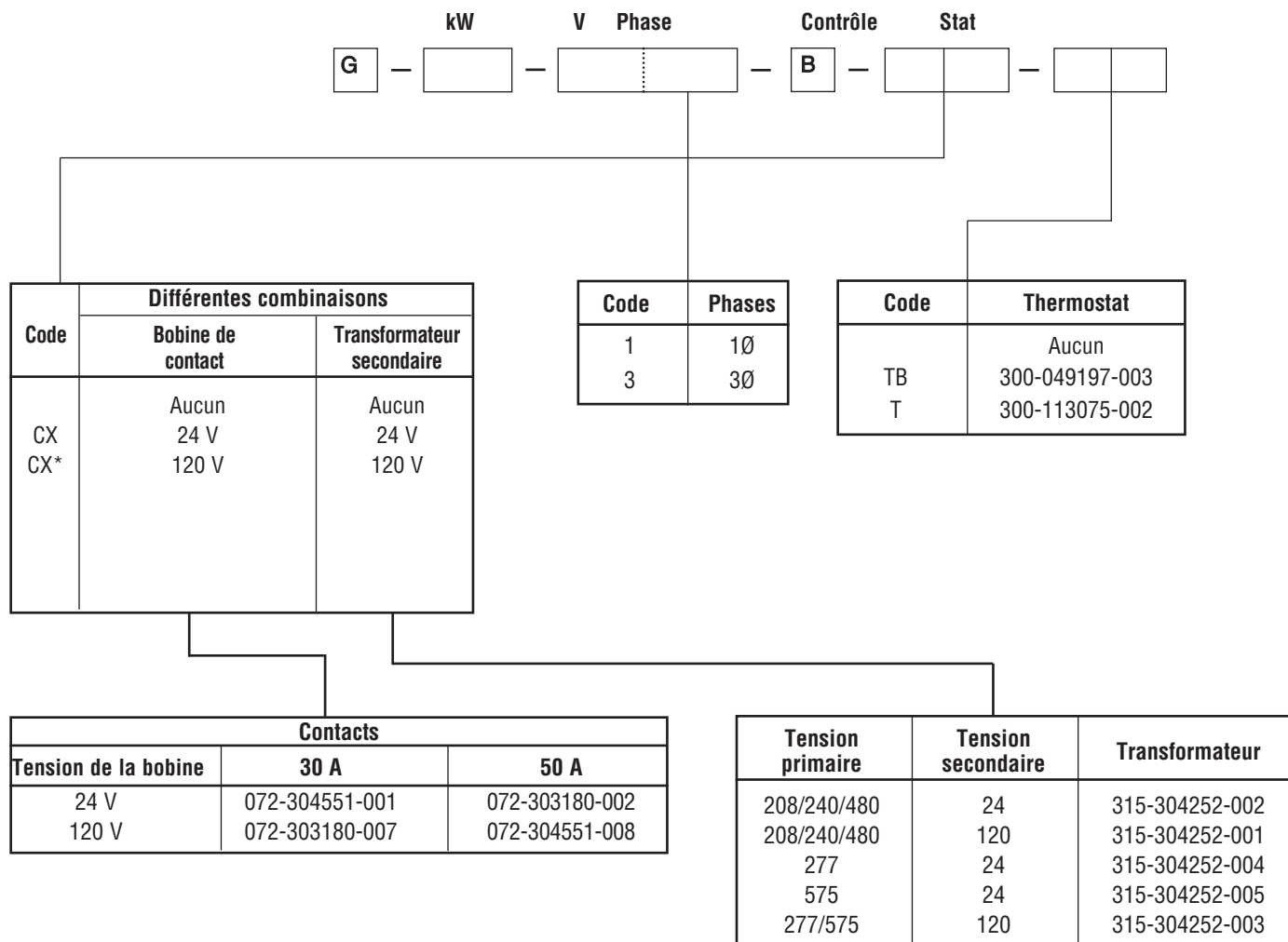
kV	BTU	V	Phases	AMP	Modèle	Largeur A	Hauteur B	Profondeur C	Poids (livres)	N° de pièce de l'élément	Qté.
1.6	5,500	208	1	7.7	G16081	34"	20"	9"	58	003-304650-002	2
1.6	5,500	208	3	4.4	G16083	34"	20"	9"	58	003-304650-005	2
1.6	5,500	240	1	6.7	G16041	34"	20"	9"	58	003-304650-096	2
1.6	5,500	240	3	3.8	G16043	34"	20"	9"	58	003-304650-006	2
1.6	5,500	277	1	5.8	G16071	34"	20"	9"	58	003-304650-004	2
1.6	5,500	480	1	3.3	G160481	34"	20"	9"	58	003-304650-003	2
1.6	5,500	480	3	1.9	G160483	34"	20"	9"	58	003-304650-009	2
1.6	5,500	575	3	1.6	G16063	34"	20"	9"	58	003-304650-010	2
<hr/>											
3.2	11,000	208	1	15.4	G32081	58"	20"	9"	94	003-304650-023	2
3.2	11,000	208	3	8.9	G32083	58"	20"	9"	94	003-304650-026	2
3.2	11,000	240	1	13.3	G32041	58"	20"	9"	94	003-304650-093	2
3.2	11,000	240	3	7.7	G32043	58"	20"	9"	94	003-304650-027	2
3.2	11,000	277	1	11.6	G32071	58"	20"	9"	94	003-304650-025	2
3.2	11,000	480	1	6.7	G320481	58"	20"	9"	94	003-304650-093	2
3.2	11,000	480	3	3.8	G320483	58"	20"	9"	94	003-304650-030	2
3.2	11,000	575	3	3.2	G32063	58"	20"	9"	94	003-304650-031	2
<hr/>											
4.0	13,600	208	1	19.2	G40081	70"	20"	9"	112	003-304650-045	2
4.0	13,600	208	3	11.1	G40083	70"	20"	9"	112	003-304650-048	2
4.0	13,600	240	1	16.7	G40041	70"	20"	9"	112	003-304650-046	2
4.0	13,600	240	3	9.6	G40043	70"	20"	9"	112	003-304650-049	2
4.0	13,600	277	1	14.4	G40071	70"	20"	9"	112	003-304650-047	2
4.0	13,600	480	1	8.3	G400481	70"	20"	9"	112	003-304650-046	2
4.0	13,600	480	3	4.8	G400483	70"	20"	9"	112	003-304650-052	2
4.0	13,600	575	3	7.0	G40063	70"	20"	9"	112	003-304650-053	2

Température maximum T2A 536 °F (280 °C)

kV	BTU	V	Phases	AMP	Modèle	Largeur A	Hauteur B	Profondeur C	Poids (livres)	N° de pièce de l'élément	Qté.
1.8/3.6	6,150/12,300	208	1	8.7/17.3	G(180)36081	34"	20"	9"	46/58	003-304650-034	1 or 2
1.8/3.6	6,150/12,300	208	3	5.0/10.0	G(180)36083	34"	20"	9"	46/58	003-304650-038	1 or 2
1.8/3.6	6,150/12,300	240	1	7.5/15.0	G(180)36041	34"	20"	9"	46/58	003-304650-098	1 or 2
1.8/3.6	6,150/12,300	240	3	4.3/8.7	G(180)36043	34"	20"	9"	46/58	003-304650-039	1 or 2
1.8/3.6	6,150/12,300	277	1	6.5/13.0	G(180)36071	34"	20"	9"	46/58	003-304650-036	1 or 2
1.8/3.6	6,150/12,300	480	1	3.8/7.5	G(180)360481	34"	20"	9"	46/58	003-304650-037/-098	1 or 2
1.8/3.6	6,150/12,300	480	3	2.2/4.3	G(180)360483	34"	20"	9"	46/58	003-304650-042	1 or 2
1.8/3.6	6,150/12,300	575	3	1.8/3.6	G(180)36063	34"	20"	9"	46/58	003-304650-043	1 or 2
<hr/>											
7.6	25,930	208	1	36.5	G76081	58"	20"	9"	94	003-304650-055	2
7.6	25,930	208	3	21.1	G76083	58"	20"	9"	94	003-304650-058	2
7.6	25,930	240	1	31.7	G76041	58"	20"	9"	94	003-304650-099	2
7.6	25,930	240	3	18.3	G76043	58"	20"	9"	94	003-304650-059	2
7.6	25,930	277	1	27.4	G76071	58"	20"	9"	94	003-304650-057	2
7.6	25,930	480	1	15.8	G760481	58"	20"	9"	94	003-304650-056	2
7.6	25,930	480	3	9.1	G760483	58"	20"	9"	94	003-304650-062	2
7.6	25,930	575	3	7.6	G76063	58"	20"	9"	94	003-304650-063	2
<hr/>											
4.5/9.0	15,350/30,700	208	1	21.6/43.3	G(450)90081	70"	20"	9"	87/112	003-304650-065	1 or 2
4.5/9.0	15,350/30,700	208	3	12.5/25.0	G(450)90083	70"	20"	9"	87/112	003-304650-069	1 or 2
4.5/9.0	15,350/30,700	240	1	18.8/37.5	G(450)90041	70"	20"	9"	87/112	003-304650-100	1 or 2
4.5/9.0	15,350/30,700	240	3	10.8/21.7	G(450)90043	70"	20"	9"	87/112	003-304650-070	1 or 2
4.5/9.0	15,350/30,700	277	1	16.2/32.5	G(450)90071	70"	20"	9"	87/112	003-304650-067	1 or 2
4.5/9.0	15,350/30,700	480	1	9.4/18.8	G(450)900481	70"	20"	9"	87/112	003-304650-068/-070	1 or 2
4.5/9.0	15,350/30,700	480	3	5.4/10.8	G(450)900483	70"	20"	9"	87/112	003-304650-073	1 or 2
4.5/9.0	15,350/30,700	575	3	4.5/9.0	G(450)90063	70"	20"	9"	87/112	003-304650-074	1 or 2

PIÈCES DE RECHANGE

Modèle Toutes tensions	Ensemble du couvercle avant	Ensemble du couvercle arrière	Panneau latéral droit	Panneau latéral gauche	Support de l'élément
1.6, 1.8, 3.6 KW	207-304644-101	207-304644-001	207-304644-201	304-304644-301	027-304646-001
3.2, 7.6 KW	207-304644-102	207-304644-002	207-304644-201	304-304644-301	027-304646-001
4.0, 4.5, 9.0 KW	207-304644-103	207-304644-003	207-304644-201	304-304644-301	027-304646-001



GARANTIE LIMITÉE

Tous les produits fabriqués par Marley Engineered Products sont garantis contre les défauts de main d'oeuvre et de matériaux pendant un an à compter de la date de l'installation. Cette garantie ne s'applique pas aux dégâts provenant d'accident, de mauvais emploi ou de modification ; ni là où la tension branchée est supérieure de 5 % à la tension de la plaque signalétique ; ni à un matériel incorrectement installé ou câblé ou entretenu en infraction aux instructions d'installation du produit. Toutes les réclamations relatives à la main d'oeuvre de garantie doivent être accompagnées de la preuve de la date d'installation.

Le client sera responsable de tous les frais encourus par la dépose ou la réinstallation des produits, y compris les frais de main d'oeuvre et les frais d'expédition encourus pour renvoyer les produits au Marley Engineered Products Service Center. Dans le cadre des limites de la présente garantie, les appareils défectueux devraient être retournés au centre de service après-vente autorisé le plus proche ou au Centre Marley Engineered Products, et nous les réparerons ou les remplacerons, à notre choix, gratuitement, les frais d'expédition de retour étant payés par Marley. Il est convenu qu'une telle réparation ou un tel remplacement sont les seuls recours pouvant être obtenus auprès de Marley Engineered Products.

LES GARANTIES CI-DESSUS REMPLACENT TOUTES LES AUTRES GARANTIES EXPLICITES OU IMPLICITES ET TOUTES LES GARANTIES IMPLICITES DE COMMERCIALITÉ ET D'ADAPTATION À UN USAGE PARTICULIER QUI DÉPASSENT LES GARANTIES EXPLICITES DÉCRITES CI-DESSUS SONT RÉPUDIÉES PAR LA PRÉSENTE ET EXCLUES DE CET ACCORD. MARLEY ENGINEERED PRODUCTS NE SERA PAS RESPONSABLE DES DOMMAGES INDIRECTS SE RAPPORTANT AU PRODUIT, QUE CE SOIT PAR NÉGLIGENCE, DÉLIT, RESPONSABILITÉ STRICTE OU CONTRAT.

Certaines provinces n'autorisent pas l'exclusion ou la limitation de dommages-intérêts fortuits ou indirects, de sorte que l'exclusion ou la limitation ci-dessus peut ne pas s'appliquer à vous. La présente garantie vous donne des droits légaux spécifiques et vous pouvez aussi avoir d'autres droits qui varient d'une province à l'autre.

Pour l'adresse de votre centre d'entretien autorisé le plus proche, veuillez prendre contact avec Marley Engineered Products à Bennettsville, Caroline du Sud, au 1-800-642-4328. La marchandise renvoyée à l'usine doit être accompagnée d'une autorisation de renvoi et d'une étiquette d'identification de service, les deux sont à votre disposition auprès de Marley Engineered Products. Lors de la demande d'autorisation de renvoi, inclure tous les numéros de catalogue qui figurent sur les produits.

COMMENT OBTENIR DES INFORMATIONS GÉNÉRALES ET DEMANDER UNE RÉPARATION OU DES PIÈCES SOUS GARANTIE

- | | |
|--|---|
| 1. Réparations et pièces sous garantie | 1-800-642-4328 |
| 2. Achat de pièces de rechange | 1-800-654-3545 |
| 3. Informations générales sur les produits | www.marleymep.com |

Remarque : Lorsque vous demandez de l'assistance, ayez toujours en main

1. Le numéro de modèle du produit
2. La date de fabrication
3. Numéro ou description de la pièce



Marley
Engineered Products

470 Beauty Spot Rd. East
Bennettsville, SC 29512 USA

5200-2472-002