

# CUS900 SERIES

## STOCK CABINET UNIT HEATER



### IDEAL SPACES

- School Hallways
- Churches
- Transportation Terminals
- Stairwells
- Entrance Ways
- Vestibules
- Lobbies
- Mechanical Rooms

### STANDARD COLOR

- White

### DIMENSIONS

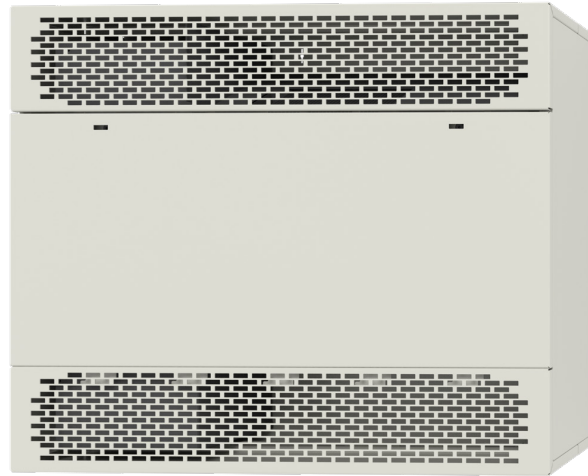
- 26-3/8"H x 9-3/4"D (length varies)

### TEMP RANGE

- 55°– 85°F

### CFM

- 250 – 500



### Contemporary Aesthetics

- Contemporary design to match modern and future architect specifications
- Standard stamped grille with optional ducted grilles

### Easy Install and Maintenance

- One-person maintenance on ceiling applications with hinged front panel
- Front cover interlock de-energizes unit when front cover is removed for added safety
- Disposable air filter mounted in inlet air stream; optional permanent and washable aluminum filters available

### Robust Design

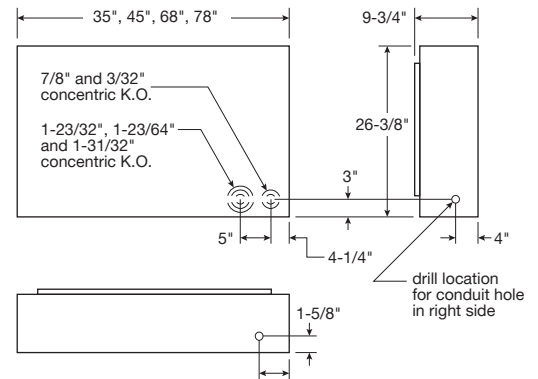
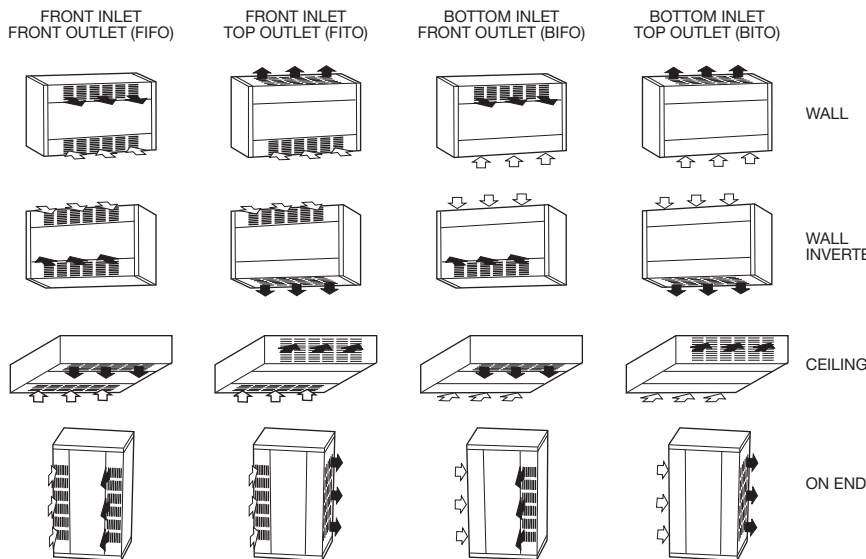
- Cabinet constructed of heavy 16-gauge cold-rolled steel to provide strength and finished with a polyester powder coating for corrosion resistance
- Motors are mounted with automatic thermal overload protection; motor fuse protection is provided on all heaters to meet safety requirements
- Comes standard with two thermal safety cutouts to automatically shut off and protect the heater in the event of overheating. Automatic thermal limit reactivates the heater when operating temperature returns to normal. Manual reset limit requires unit to be powered down and inspected before operation can resume.



## CUS900 SERIES STOCK CABINET UNIT HEATER

### Stock Cabinet Unit Heaters: Stock Models and Specifications

CATALOG NUMBER	UPC	CFM HI	CFM LOW	DIM	WT	VOLTS/PH	AMPS
CUS93505203FFW	00685360174051	250	200		120 lbs.	208V/3Ø	14
CUS93505203FFWD	00685360174068	250	200	35" W	120 lbs.	208V/3Ø	14
CUS93505243FFW	00685360174075	250	200	26 3/8" H	120 lbs.	240V/3Ø	12
CUS93505243FFWD	00685360174082	250	200	9 7/8" D	120 lbs.	240V/3Ø	12
CUS93505483FFW	00685360174099	250	200		120 lbs.	480V/3Ø	6
CUS93505483FFWD	00685360174105	250	200		120 lbs.	480V/3Ø	6
CUS94510203FFW	00685360174112	500	400		120 lbs.	208V/3Ø	34
CUS94510203FFWD	00685360174129	500	400	45" W	120 lbs.	208V/3Ø	34
CUS94510243FFW	00685360174136	500	400	26 3/8" H	120 lbs.	240V/3Ø	15
CUS94510243FFWD	00685360174143	500	400	9 7/8" D	120 lbs.	240V/3Ø	15
CUS94510483FFW	00685360174150	500	400		120 lbs.	480V/3Ø	12
CUS94510483FFWD	00685360174167	500	400		120 lbs.	480V/3Ø	12



## CUS900 SERIES STOCK CABINET UNIT HEATER

### ACCESSORIES

CATALOG NO.	DESCRIPTION	COMPATIBLE WITH	FUNCTION	SHIP WT. (LBS)
CUH935RTK	Ceiling or Wall Recess Trim Kit	CUH935	Provides a neat finish to semi-recessed or full recessed application.	3
CUH945RTK		CUH945		4
CUH935BK	Floor/Toe-Space Base Kit	CUH935	16 gauge, muted black base is recessed from the heater front and sides to provide an attractive and practical floor mounting application.	9
CUH945BK		CUH945		10
CUH935WF	Permanent, Reusable Washable Filter	CUH935	Replaces standard filter Washable filter can be cleaned and replaced.	4
CUH945WF		CUH945		6

### FACTORY-INSTALLED ACCESSORIES - FFW MODELS

ACCESSORY	DESCRIPTION	
BUILT-IN THERMOSTAT	Standard	Built-in single stage thermostat with adjustable knob to have heater run until demand is satisfied.
MANUAL RESET	Standard	Manual Reset over temperature cutout wired into control circuit. Supplied in addition to auto-reset cutout.
DEAD FRONT DISCONNECT SWITCH	Standard	A three pole non-fused disconnect switch disconnects power to the heater. Design prevents entry into the control compartment until disconnect switch is turned to the OFF position.

### FACTORY-INSTALLED ACCESSORIES - FFWD MODELS

ACCESSORY	DESCRIPTION	
SMARTSERIES® PLUS	Standard	Built-in two stage thermostat runs 2/3 elements on stage 1 and full heat for stage 2. Fan cycles on high speed only. Comes with BACnet BMS compatibility, scheduling, cooling mode (Fan-Only), and keypad lock.
MANUAL RESET	Standard	Manual Reset over temperature cutout wired into control circuit. Supplied in addition to auto-reset cutout.
DEAD FRONT DISCONNECT SWITCH	Standard	A three pole non-fused disconnect switch disconnects power to the heater. Design prevents entry into the control compartment until disconnect switch is turned to the OFF position.