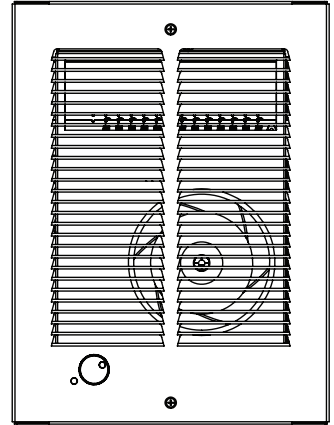


# FAHRENHEAT®

## FFC Series Fan-Forced Wall Heaters



**Intertek**  
Conforms to ANSI/UL2021 and  
CSA C22.2, No. 46



## Installation, Operation & Maintenance Instructions

**Table 1. Specifications**

MODEL	VOLTS	WATTS/AMPS	WATTS/AMPS*
FFC1512	120	1500W/12.5A	750W/6.3A
FFC1012	120	1000W/8.3A	500W/4.2A
FFC1548	240	1500W/6.3A	750W/3.1A
	208	1125W/5.4A	563W/2.7A
FFC1048	240	1000W/4.2A	500W/2.1A
	208	750W/3.6A	375W/1.8A
FFC2048	240	2000W/8.3A	1000W/4.2A
	208	1500W/7.2A	750W/3.6A

\* Factory wired for full wattage, field convertible to half wattage.

### CLIP-N-FIT® FEATURE

Patented CLIP-N-FIT® feature (US Patented #6,172,343) allows installer to pick a wattage onsite. Factory wired for full wattage, easily field adjustable for half wattage. Half wattage option is permanent change complying with many local electrical code requirements.

## IMPORTANT INSTRUCTIONS

### ⚡ WARNING ⚠

WHEN USING ELECTRIC APPLIANCES, BASIC PRECAUTIONS SHOULD ALWAYS BE FOLLOWED TO REDUCE THE RISK OF FIRE, ELECTRIC SHOCK, AND INJURY TO PERSONS, INCLUDING THE FOLLOWING:

1. Read all instructions before installing or using this heater.
2. This heater is hot when in use. To avoid burns, do not let bare skin touch hot surfaces. Keep combustible materials, such as furniture, pillows, bedding, papers, clothes, etc. and curtains at least 3 feet (0.9 m) from the front of the heater.
3. Extreme caution is necessary when any heater is used by or near children or invalids and whenever the heater is left operating and unattended.
4. Do not operate any heater after it malfunctions. Disconnect power at service panel and have heater inspected by a reputable electrician before using.
5. Do not use outdoors.
6. To disconnect heater, turn controls to off, and turn off power to heater circuit at main disconnect panel.
7. Do not insert or allow foreign objects to enter any ventilation or exhaust opening as this may cause an electric shock, fire, or damage to the heater.
8. To prevent a possible fire, do not block air intake or exhaust in any manner.
9. A heater has hot and arcing or sparking parts inside. Do not use it in areas where gasoline, paint, or flammable liquids are used or stored.
10. Use this heater only as described in this manual. Any other use not recommended by the manufacturer may cause fire, electric shock, or injury to persons.
11. This heater is provided with an automatic safety limit control that shuts the heater off should it overheat. If you find the heater off, inspect for any objects on or adjacent to the heater that may have blocked the airflow or otherwise caused high temperatures to have occurred and remove any objects that may have caused the overheating. Refer to the Maintenance Instructions section of this manual for how to reset this safety control.
12. This heater is intended for comfort heating applications and not intended for use in special environments. Do not use in damp or wet locations such as marine or greenhouse or in areas where corrosive or chemical agents are present.
13. When installing, see INSTALLATION INSTRUCTIONS for additional warnings and precautions.
14. For safe and efficient operation, and to extend the life of your heater, keep your heater clean - See MAINTENANCE INSTRUCTIONS.

## SAVE THESE INSTRUCTIONS

# INSTALLATION INSTRUCTIONS

## ⚠ WARNING ⚠

To prevent a possible fire, injury to persons or damage to the heater, adhere to the following:

1. Disconnect all power coming to heater at main service panel before wiring or servicing.
2. All wiring procedures and connections must be in accordance with the National Electrical Code (NEC) and Local Codes having jurisdiction and the heater must be grounded.
3. Power supply may enter back-box through any knockout provided (see Figure 1).
4. Verify the power supply voltage coming to heater matches the ratings as shown on the heater nameplate.

**CAUTION - ENERGIZING HEATER AT A VOLTAGE GREATER THAN THE VOLTAGE PRINTED ON THE NAMEPLATE WILL DAMAGE THE HEATER AND VOID THE WARRANTY AND COULD CAUSE A FIRE.**

5. **CAUTION** - High temperature, risk of fire, keep electrical cords, drapery, furnishings, and other combustibles at least 3 feet (0.9 m) from front of heater. Do not install heater behind doors, below towel racks, or in an area where it is subject to being blocked by furniture, curtains or storage materials. Hot air from the heater may damage certain fabrics and plastics.
6. To reduce the risk of fire, do not store or use gasoline or other flammable vapors and liquids in the vicinity of the heater.
7. The following minimum clearances must be maintained:
  - Bottom of heater to floor - 4-1/2" (114 mm) - optimum height is 18" to 24"
  - Sides of heater to adjacent wall - 6" ( 152 mm) - optimum minimum 12" (305 mm).
  - Top of heater to ceiling - 36" (915 mm) minimum.
8. Do not operate the heater without the grille installed.
9. Do not use this heater for dry out as the paint, plaster, sawdust and drywall sanding dust will permanently damage the heater and must be kept out of the heater.

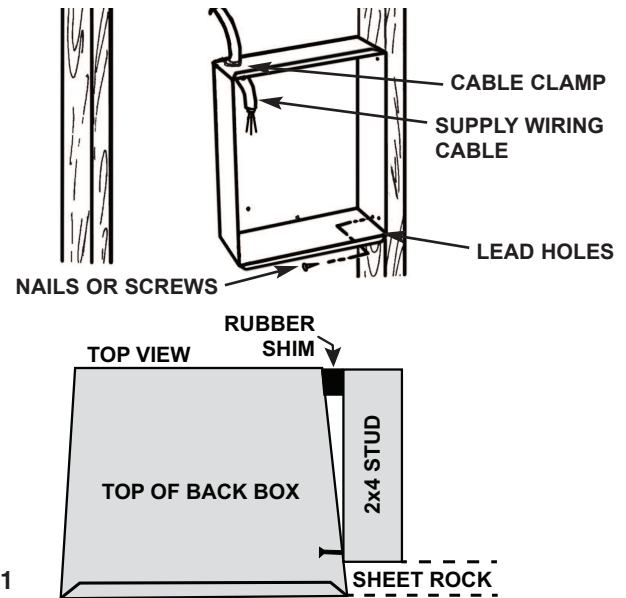


Figure 1

### Installation of Back-Box in New Construction

**NOTE:** If the finished wall surface is already up, follow instructions for "Installation of back-box in Existing Construction"

1. Allow for the thickness of the finished surface when installing the back-box. The front edge of the back-box must be installed flush with the finished surface.
2. To allow box to fit squarely against wall stud, use the shim provided with the heater as shown in Figure 1.
3. Remove one of the knockouts in the back-box and install a cable or conduit connector.
4. Position back-box against side with studs and secure with nails or screws as shown in Figure 1.

**NOTE:** The back-box must be installed to a wall stud and secured using nails or screws as shown in Figure 1.

5. Run power supply cable through the connector, leaving enough wire length in box so ground wire can be attached to ground screw at bottom of box.
6. Connect the supply cable ground wire to green colored ground screw provided.

### Installation of Back-Box in Existing Construction

1. The edge of the back-box must be installed flush with the finished surface. If desired, a shim is provided with heater to allow back-box to fit squarely against wall stud. (See Figure 1).
2. Carefully cut a hole measuring 7-7/8" (200 mm) wide by 10- (255 mm) high. One edge of the hole must be cut along edge of the wall stud.
3. Bring power supply cable to heater mounting location leaving at least 10" (255mm) of cable for wiring.
4. Remove desired knockout in back-box.
5. Install cable clamp to cable and install into back-box, leaving enough wire length in box so ground wire can be attached to ground screw at bottom of box.
6. Connect the supply cable ground wire to green colored ground screw provided.
7. Fit back-box into mounting hole in wall by first inserting cable end of box then rotating box into position.
8. Secure box to wall stud using nails or screws.

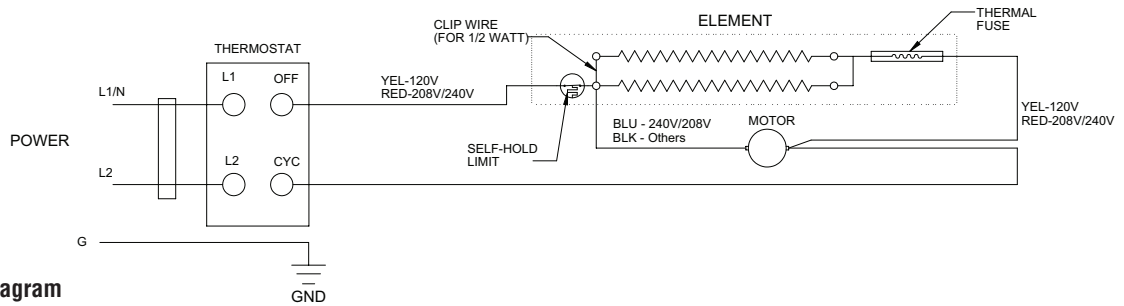


Figure 2 - Wiring Diagram

**NOTE:** Heaters are factory wired per nameplate voltage and wattage. Refer to How to Reduce wattage for instructions on reducing to half wattage if lower wattage is desired and make change before installing heat deck.

### Installation and Wiring of Heater / Fan Assembly

**NOTE:** For installations over 7500 ft. above sea level we recommend using heaters with wattages under 1500 watts.

1. Following wiring diagram (Figure 2) connect supply wires to heater leadwire in back-box using appropriate wire connectors.

**NOTE:** For 120 volt heaters, connect the white neutral supply lead to the heater's white lead (or colored lead marked with "N"), and connect the black power lead to the heater's black lead.

For 208 /240 volt heaters (with two hot power leads), if either power lead is white in color, change the color of the lead by wrapping with black electrical tape (Most electrical codes require the power supply leads to be black (non-white) in color). Connect the two black power leads to the heater's black (or black and red) leads.

2. Secure supply ground wire under green ground screw in back-box.
3. Fit heater/fan assembly into back-box fitting bottom section into two tabs provided and securing top to back-box with screw provided.

### TO CHANGE WATTAGE OUTPUT

Your heater is provided with a clip-out wire that will allow the heater wattage output to be permanently reduced to 1/2 wattage if desired. If wattage is changed to a reduced wattage, installer must also check the appropriate box on label in back-box. See instructions on how to reduce wattage located on back side of fan panel.

### Installation of Front Cover (Grille) and Thermostat Knob

1. Fasten front cover to heater assembly using the (2) long screws supplied.
2. Fit the thermostat knob onto the thermostat shaft and push into place.

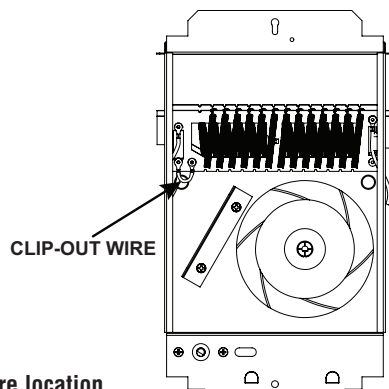


Figure 3 - Clip-out wire location

## OPERATING INSTRUCTIONS

1. Heater must be properly installed before operation.
2. After heater is completely assembled, rotate thermostat knob counterclockwise until control stops. This is the minimum heat setting.
3. Turn power supply to heater "ON" at main switch panel.
4. Heater should not operate. If it operates disconnect power and recheck wiring.
5. Rotate thermostat clockwise until it stops (maximum heat setting).
6. Heater and fan should come on. If heater and fan do not come on, disconnect power and check wiring.
7. Allow heater to continue to operate until room temperature reaches desired comfort level. Then rotate thermostat knob counterclockwise slowly until thermostat clicks off.
8. It may be necessary to readjust thermostat a couple of times until exact comfort level is attained. Rotation in the clockwise direction will increase the amount of time the heater will produce heat. Rotation in the counterclockwise direction will reduce the amount of time the heater is on.

**NOTE:** For best results, the heater should be left "ON" constantly during the heating season as the thermostat, when properly set, will maintain the desired temperature. In the full counter-clockwise position the heater will remain off until the room temperature drops well below freezing.

### How To Reset Over-Temperature Safety Control:

This heater is provided with an over-temperature safety control that will turn the heater off if the heater overheats. If heater is not operational, check to make sure it is not blocked or otherwise damaged and remove any obstruction or condition that might have caused the heater to shut off.

### ⚠ WARNING ⚠

DO NOT TAMPER WITH OR BYPASS ANY SAFETY LIMITS INSIDE HEATER.

1. Turn the heater off at the thermostat OR disconnect power at the circuit breaker for at least 10 minutes to allow the heater to cool and the safety control to reset.
2. When the heater has cooled, check to see if the heater is blocked or excessively dirty as these conditions may cause overheating. Remove any blockages and /or refer to the **Cleaning Heater** section for cleaning instructions if dirty.
3. Turn circuit breaker on, reset thermostat to desired setpoint, and verify the heater is operating normally.
4. If the heater malfunctions again and shuts off, disconnect power at the circuit breaker and have the heater inspected by a qualified electrician

## CAUTION ⚠

CAUTION - DO NOT CONTINUE TO ATTEMPT TO USE THE HEATER IF THE SAFETY CONTROL REPEATEDLY OPERATES AFTER BEING RESET. TO DO SO COULD PERMANENTLY DAMAGE THE HEATER OR CREATE A FIRE OR SAFETY HAZARD.

**Special Note:** In addition to the over-temperature safety control, this heater is provided with a back-up thermal fuse (one shot) that will permanently shut the heater off if for some reason the over-temperature safety control should not function as intended. If this thermal fuse activates, the heater will not reset and must be repaired by a qualified repair person.

# MAINTENANCE INSTRUCTIONS

It is important to keep this heater clean. Your heater will give you years of service and comfort with only minimum care. To assure efficient operation follow the simple instructions below.

## ⚠ WARNING ⚠

ALL SERVICING BEYOND SIMPLE CLEANING THAT REQUIRES DISASSEMBLY SHOULD BE PERFORMED BY QUALIFIED SERVICE PERSONNEL.

## ⚠ WARNING ⚠

TO REDUCE RISK OF FIRE AND ELECTRIC SHOCK OR INJURY, DISCONNECT ALL POWER COMING TO HEATER AT MAIN SERVICE PANEL AND CHECK THAT THE ELEMENT IS COOL BEFORE SERVICING OR PERFORMING MAINTENANCE.

### User Cleaning Instructions:

1. After the heater has cooled, a vacuum cleaner with brush attachment may be used to remove dust and lint from exterior surfaces of the heater including the grille openings.
2. With a damp cloth, wipe dust and lint from grille and exterior surfaces.
3. Return power to heater and check to make sure it is operating properly.

### Maintenance Cleaning Instructions:

**(To be performed only by Qualified Service Personnel)**

At least annually, the heater should be cleaned and serviced by a qualified service person to assure safe and efficient operation. This should include the removal of the grille and, removal of the fan cover to allow access to the interior of the heater. Carefully vacuum area to remove any accumulation of dust and lint. Compressed air may also be used to blow debris from inside heater. After completing the cleaning and servicing, the heater should be fully reassembled and checked for proper operation.

### LIMITED WARRANTY

All products manufactured by Marley Engineered Products are warranted against defects in workmanship and materials for one year from date of installation, except heating elements which are warranted against defects in workmanship and materials for five years from date of installation. This warranty does not apply to damage from accident, misuse, or alteration; nor where the connected voltage is more than 5% above the nameplate voltage; nor to equipment improperly installed or wired or maintained in violation of the product's installation instructions. All claims for warranty work must be accompanied by proof of the date of installation.

The customer shall be responsible for all costs incurred in the removal or reinstallation of products, including labor costs, and shipping costs incurred to return products to Marley Engineered Products Service Center. Within the limitations of this warranty, inoperative units should be returned to the nearest Marley authorized service center or the Marley Engineered Products Service Center, and we will repair or replace, at our option, at no charge to you with return freight paid by Marley. It is agreed that such repair or replacement is the exclusive remedy available from Marley Engineered Products.

THE ABOVE WARRANTIES ARE IN LIEU OF ALL OTHER WARRANTIES EXPRESSED OR IMPLIED, AND ALL IMPLIED WARRANTIES OF MERCHANTABILITY AND FITNESS FOR A PARTICULAR PURPOSE WHICH EXCEED THE AFORESAID EXPRESSED WARRANTIES ARE HEREBY DISCLAIMED AND EXCLUDED FROM THIS AGREEMENT. MARLEY ENGINEERED PRODUCTS SHALL NOT BE LIABLE FOR CONSEQUENTIAL DAMAGES ARISING WITH RESPECT TO THE PRODUCT, WHETHER BASED UPON NEGLIGENCE, TORT, STRICT LIABILITY, OR CONTRACT.

Some states do not allow the exclusion or limitation of incidental or consequential damages, so the above exclusion or limitation may not apply to you. This warranty gives you specific legal rights, and you may also have other rights which vary from state to state.

For the address of your nearest authorized service center, contact Marley Engineered Products in Bennettsville, SC, at 1-800-642-4328. Merchandise returned to the factory must be accompanied by a return authorization and service identification tag, both available from Marley Engineered Products. When requesting return authorization, include all catalog numbers shown on the products.

### HOW TO OBTAIN WARRANTY SERVICE AND WARRANTY PARTS PLUS GENERAL INFORMATION

- |                                |  |
|--------------------------------|--|
| 1. Warranty Service or Parts   | 1-800-642-4328   |
| 2. Purchase Replacement Parts  | 1-800-654-3545   |
| 3. General Product Information | <a href="http://www.marleymep.com">www.marleymep.com</a> |

**Note:** When obtaining service always have the following:

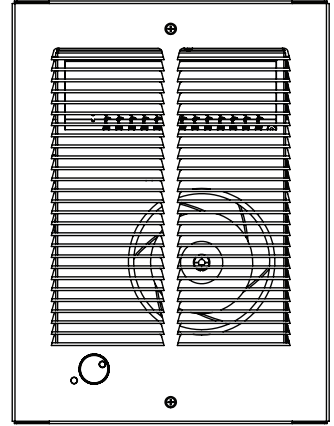
1. Model number of the product
2. Date of manufacture
3. Part number or description



**Marley**<sup>®</sup>  
Engineered Products

470 Beauty Spot Rd. East  
Bennettsville, SC 29512 USA

## Serie FFC Calefactores de pared con ventilador



## Instrucciones de instalación, utilización y mantenimiento

Table 1. Specifications

MODELO	VOLTAJE	WATTS/AMPS	WATTS/AMPS*
FFC1512	120	1500W/12.5A	750W/6.3A
FFC1012	120	1000W/8.3A	500W/4.2A
FFC1548	240	1500W/6.3A	750W/3.1A
	208	1125W/5.4A	563W/2.7A
FFC1048	240	1000W/4.2A	500W/2.1A
	208	750W/3.6A	375W/1.8A
FFC2048	240	2000W/8.3A	1000W/4.2A
	208	1500W/7.2A	750W/3.6A

### CARACTERÍSTICA CLIP-N-FIT®

La característica patentada CLIP-N-FIT® (Patente de los EE. UU. N.º 6 172 343) permite al instalador elegir un nivel de potencia (watts) in situ. El cableado de fábrica es para potencia (watts) total, y se ajusta fácilmente en campo para potencia (watts) mitad. La opción de potencia (watts) mitad es un cambio permanente, de conformidad con los requisitos de muchos códigos eléctricos locales

Cableado en fábrica para la potencia (watts) total, convertible en el sitio a la potencia (watts) mitad.

## INSTRUCCIONES IMPORTANTES

### ⚠️ ADVERTENCIA ⚠️

CUANDO SE UTILIZAN APARATOS ELÉCTRICOS, SIEMPRE DEBEN SEGUIRSE PRECAUCIONES BÁSICAS PARA REDUCIR EL RIESGO DE INCENDIO, DESCARGAS ELÉCTRICAS Y LESIONES A PERSONAS, ENTRE ELLAS LAS SIGUIENTES:

1. Lea todas las instrucciones antes de instalar o utilizar este calefactor.
2. Este calefactor se calienta cuando está en uso. Para evitar quemaduras, no toque las superficies calientes. Mantenga los materiales combustibles, tales como muebles, almohadas, ropa de cama, papeles, ropa y cortinas a más de 3 pies (0,9 m) del frente del calefactor.
3. Tome precauciones extremas cuando el calefactor sea usado por o cerca de niños o personas con problemas motrices y siempre que el calefactor se deje en funcionamiento sin vigilancia.
4. No utilice el calefactor si ha sufrido desperfectos. Desconecte la energía eléctrica en el panel de suministro y haga revisar el calefactor por un electricista matriculado antes de usarlo.
5. No lo use al aire libre.
6. Para desconectar el calefactor, apague los controles y desconecte el circuito de alimentación del calefactor en el panel eléctrico principal.
7. No inserte ni permita que objetos extraños penetren en las aberturas de entrada o salida de aire del calefactor pues se podría producir una descarga eléctrica, un incendio o averías en el calefactor.
8. Para evitar un posible incendio, no obstruya las entradas o salidas de aire del calefactor de ninguna manera.
9. El calefactor tiene en su interior piezas calientes y que pueden producir arcos o chispas. No use el calefactor en lugares donde se utilizan o almacenan gasolina, pintura o líquidos inflamables.
10. Utilice este calefactor únicamente como se describe en este manual. Cualquier otro uso no recomendado por el fabricante puede causar incendios, descargas eléctricas o lesiones personales.
11. Este calefactor está equipado con un control de límite de seguridad automático que lo apaga en caso de sobrecalentamiento. Si encuentra el calefactor apagado, haga una inspección para ver si hay objetos sobre o cerca del calefactor que pudieran haber bloqueado la circulación de aire o causado de alguna otra forma la presencia de altas temperaturas, y quite todo objeto que pudiera ser la causa del sobrecalentamiento. Para ver cómo realizar la reposición de este control de seguridad, consulte la sección Instrucciones de mantenimiento de este manual.
12. Este calefactor está construido para ofrecer una calefacción adecuada en un ambiente normal y no para ser usado en ambientes especiales. No lo utilice en lugares húmedos o mojados tales como ambientes marinos o invernaderos o en zonas en las que haya elementos corrosivos o productos químicos.
13. Al instalarlo, vea las INSTRUCCIONES DE INSTALACIÓN donde encontrará advertencias y precauciones adicionales.
14. Para lograr un funcionamiento seguro y eficiente, y una mayor vida útil de su calefactor, manténgalo limpio. Vea las INSTRUCCIONES DE MANTENIMIENTO.

## GUARDE ESTAS INSTRUCCIONES



# INSTRUCCIONES DE INSTALACIÓN

## ⚠ ADVERTENCIA ⚠

Para evitar la posibilidad de incendios, lesiones personales o averías en el calefactor, cumpla las siguientes indicaciones:

1. Desconecte la alimentación del calefactor en el panel de suministro eléctrico antes de instalarlo o repararlo.
2. Todos los procedimientos de cableado y las conexiones deben cumplir con los códigos nacionales y locales pertinentes y el calefactor debe estar conectado a tierra.
3. La alimentación eléctrica debe entrar a la caja posterior a través de los accesos troquelados en el costado IZQUIERDO de la caja. No utilice los accesos troquelados del costado derecho de la caja (vea la figura 1). Para orientar correctamente la caja posterior, vea la marca ubicada en su PARTE SUPERIOR.
4. Verifique que el voltaje de alimentación del calefactor coincida con los valores indicados en su placa de identificación.

**PRECAUCIÓN:** SI EL VOLTAJE DE ALIMENTACIÓN DEL CALEFACTOR ES MAYOR QUE EL IMPRESO EN LA PLACA DE IDENTIFICACIÓN, DAÑARÁ EL CALEFACTOR, ANULARÁ LA GARANTÍA Y PODRÍA CAUSAR UN INCENDIO.

5. **PRECAUCIÓN:** el calefactor genera una temperatura elevada y existe el riesgo de incendio. No permita que haya cables eléctricos, objetos de tela, muebles y otros elementos combustibles a menos de 3 pies (0,9 m) del frente del calefactor. No instale el calefactor detrás de puertas ni debajo de toalleros o en lugares en los que pudiera resultar cubierto por muebles, cortinas o materiales almacenados. El aire caliente del calefactor puede dañar algunas telas y plásticos.
6. Para reducir el riesgo de incendio, no almacene ni utilice gasolina ni gases o líquidos inflamables cerca del calefactor.
7. Se deben respetar las siguientes separaciones mínimas:
  - Parte inferior del calefactor al suelo: 4-1/2" (114 mm); la altura óptima es de 18" a 24" (460 a 600 mm).
  - Lados del calefactor a pared adyacente: 6" (152 mm); mínimo óptimo 12" (305 mm).
  - Parte superior del calefactor al techo: 12" (305 mm)
8. No utilice el calefactor sin haber instalado la rejilla.
9. No utilice este calefactor para tareas de secado pues la pintura, el yeso, el aserrín y el polvo producido por el lijado de las paredes dañarán permanentemente el calefactor y se debe evitar que estas materias penetren en su interior.

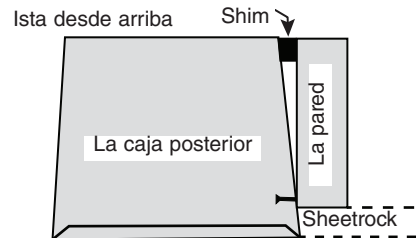
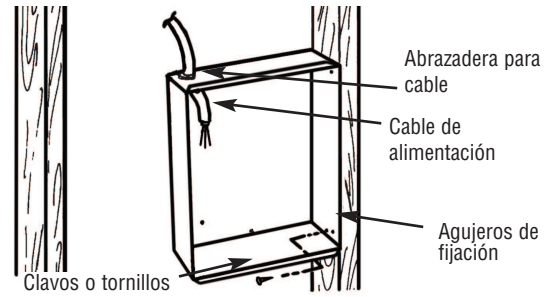


Figura 1

## Instalación de la caja posterior en una construcción nueva

**NOTA:** si la superficie de la pared ya está terminada, siga las indicaciones "Instalación de la caja posterior en una construcción existente".

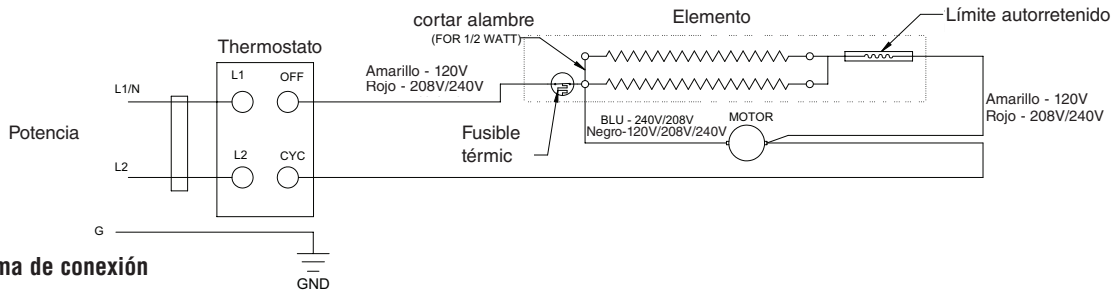
1. Al instalar la caja posterior, tenga en cuenta el espesor del recubrimiento de la superficie. El borde de la caja posterior se debe instalar alineado con la superficie terminada.
2. Determine cuál lado de la caja posterior será montado contra un montante y doble las pestañas en las esquinas posteriores a 90 grados de manera que la caja posterior quede en escuadra con el montante después de la instalación.
3. Quite una de los accesos troquelados del lado **IZQUIERDO** de la caja posterior e instale un conector para cables o para tubería eléctrica.
4. Posicione la caja posterior de costado contra los montantes del techo y asegúrela con clavos o tornillos como se ilustra en la figura 1.

**NOTA:** la caja posterior se debe instalar contra un montante de la pared, asegurada con clavos o tornillos como se ilustra en la figura 1.

5. Pase el cable de alimentación a través del conector y deje unas 6" (152 mm) de cable dentro de la caja.
6. Conecte el conductor de puesta a tierra del cable de alimentación con el cable de tierra verde instalado en el calefactor.

## Instalación de la caja posterior en una construcción existente

1. El borde de la caja posterior se debe instalar alineado con la superficie terminada. (vea la figura 1).
2. Corte cuidadosamente un hueco de 7-7/8" (200 mm) de ancho por 10" (255 mm) de largo. Un borde del hueco debe estar cortado a lo largo del borde de un montante de la pared.
3. Instale el cable de alimentación hasta el calefactor dejando al menos 10" (255 mm) de cable para la conexión.
4. Quite el acceso troquelado adecuado del costado izquierdo de la caja posterior.
5. Instale la abrazadera para cable en el cable e instale el cable en la caja posterior, dejando al menos 6" (152 mm) de cable en la caja para la conexión.
6. Conecte el conductor de puesta a tierra del cable de alimentación con el cable de tierra verde instalado en el calefactor.
7. Acomode la caja posterior en el hueco de montaje en la pared, insertando primero el extremo del cable de alimentación en la caja y luego girando la caja a su posición.
8. Asegure la caja al montante de la pared con clavos o tornillos.



**Figura 2 - Diagrama de conexión**

**NOTA:** los calefactores vienen cableados de fábrica de acuerdo a la potencia y el voltaje indicados en su placa de identificación. Vea más detalles en la tabla 1. Si desea una menor potencia, modifique las conexiones antes de instalar el conjunto calefactor. Vea la sección “CAMBIO DE LA POTENCIA DE SALIDA DEL CALEFACTOR”:

### Instalación y conexión del conjunto calefactor / ventilador

**NOTA:** si la altitud de la instalación es mayor de 7500 pies (2300 m) sobre el nivel del mar, recomendamos usar calefactores de menos de 1500 vatios de potencia.

1. Siga el diagrama de conexión (figura 2) y conecte los cables de alimentación a los cables del calefactor en la caja posterior utilizando conectores para cable adecuados.

**NOTA:** Para calefactores de 120 volts, conecte el cable de alimentación eléctrica blanco (neutro) al conductor de conexión blanco (o al conductor de conexión de color marcado con la letra 'N') del calefactor, y conecte el cable de alimentación eléctrica negro al conductor de conexión negro del calefactor.

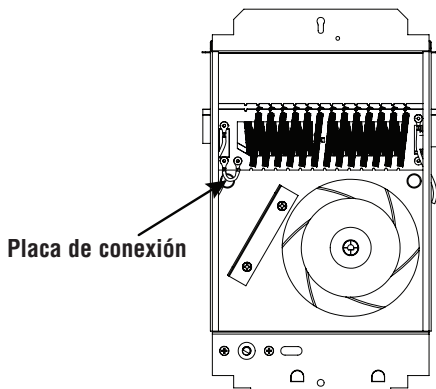
Para calefactores de 208 / 240 volts (con dos cables de alimentación eléctrica 'vivos'), si alguno de esos cables es blanco, cambie el color del mismo envolviéndolo en cinta eléctrica negra (la mayoría de los códigos eléctricos requiere que los cables de alimentación eléctrica sean de color negro, no blanco). Conecte los dos cables de alimentación eléctrica negros a los cables negros (o uno negro y otro rojo) del calefactor.

2. Conecte el conductor de tierra del cable de alimentación bajo el tornillo verde en la caja posterior (o al cable verde de tierra si está incluido).
3. Acomode el conjunto calefactor / ventilador en la caja posterior, verificando que los cables queden alejados del ventilador y del elemento calefactor, y fíjelo en su lugar pasando los (2) tornillos suministrados a través de las ranuras centrales a los costados del ventilador.

### CAMBIO DE LA POTENCIA DE SALIDA DEL CALEFACTOR

La tabla 3 muestra las potencias (en vatios) disponibles para cada modelo. Cada calefactor viene cableado de fábrica para entregar su potencia máxima. Las últimas dos columnas de la tabla se refieren a los puentes en la placa de conexión CLIP'n'FIT®. Para cambiar la potencia, quite el puente 1 y/o el puente 2 como se muestra en la tabla 3 al pie de la página. Extraiga los puentes sujetando ambos extremos lo más cerca posible de la placa de conexión.

### Instalación de la cubierta delantera (rejilla) y la perilla del termostato



**Figura 3 - Placa de conexión**

1. Sujete la cubierta delantera al conjunto calefactor mediante los (2) tornillos largos incluidos.
2. Coloque la perilla del termostato en el eje del termostato (si estuviese equipado) y empuje hasta el fondo.

## INSTRUCCIONES DE USO

1. El calefactor debe estar correctamente instalado antes de su uso.
2. Una vez finalizada la instalación del calefactor, gire la perilla de termostato en sentido antihorario hasta que la perilla llegue a un tope. Esta es la posición de calor mínimo.
3. Conecte la alimentación eléctrica al calefactor en el panel principal.
4. En estas condiciones, el calefactor no debe funcionar. Si funciona, desconecte la alimentación eléctrica y revise las conexiones.
5. Gire el termostato en sentido horario hasta que llegue a un tope (posición de calor máximo).
6. El calefactor y el ventilador deberán encenderse. Si el calefactor y el ventilador no se encienden, desconecte la alimentación eléctrica y revise las conexiones.
7. Deje que el calefactor funcione hasta que la temperatura del ambiente alcance el nivel de confort deseado. Luego gire lentamente la perilla del termostato en sentido antihorario hasta que escuche un “clik” que indica que el calefactor se ha apagado.
8. Puede que sea necesario volver a ajustar el termostato algunas veces más hasta que se alcance el nivel de confort exacto. La rotación en sentido horario aumentará el tiempo durante el cual el calefactor producirá calor. La rotación en sentido antihorario reducirá el tiempo durante el cual el calefactor está encendido.

**NOTA:** para obtener los mejores resultados, el calefactor deberá permanecer constantemente encendido durante la temporada en que se necesita calefacción pues el termostato, si está correctamente ajustado, mantendrá la temperatura deseada. Si la perilla del termostato se hace girar en sentido antihorario hasta llegar al tope, el calefactor permanecerá apagado hasta que la temperatura de la habitación disminuya bien por debajo del punto de congelación.

### Restablecimiento del control de seguridad por sobrecalentamiento:

Este calefactor está equipado con un control de seguridad por exceso de temperatura que apagará el calefactor si éste se sobrecalienta. Si este control se activa, se encenderá una luz roja de advertencia, visible a través de la parte delantera de la rejilla, que alertará al usuario que el calefactor está apagado y necesita atención.

### ⚠ ADVERTENCIA ⚠

**NO INTENTE FORZAR NI PUENTEAR LOS DISPOSITIVOS DE SEGURIDAD DENTRO DEL CALEFACTOR.**

1. Apague el calefactor con el termostato Y desconecte la alimentación con el interruptor automático en el panel eléctrico por lo menos durante 10 minutos para que el calefactor se enfríe y se restablezca el control de seguridad.
2. Cuando el calefactor se haya enfriado, compruebe que no haya objetos que impidan la circulación del aire a su alrededor ni que esté excesivamente sucio, pues estas condiciones pueden causar un sobrecalentamiento. Retire cualquier objeto que esté obstruyendo el calefactor y/o proceda a su limpieza de acuerdo con las indicaciones de la sección **Limpieza del calefactor**.
3. Encienda el interruptor automático del circuito de alimentación, gire el termostato al punto de ajuste deseado y verifique que el calefactor funcione con normalidad.

4. Si el calefactor vuelve a funcionar mal y se enciende la luz roja, desconecte la alimentación eléctrica del circuito y haga revisar el calefactor por un electricista matriculado.

### CAUTION ⚠

PRECAUCIÓN: NO CONTINUE INTENTANDO USAR EL CALEFACTOR SI EL CONTROL DE SEGURIDAD SIGUE ACTUANDO REPETIDAMENTE LUEGO DE HABER SIDO RESTABLECIDO. EN CASO CONTRARIO, PODRÍA DAÑAR PERMANENTEMENTE EL CALEFACTOR U OCASIONAR UN INCENDIO O UN RIESGO PARA LA SEGURIDAD.

**Nota especial:** además del control de seguridad contra sobrecalentamiento, este calefactor incluye un fusible térmico de respaldo (de una sola actuación) que apagará permanentemente el calefactor si por algún motivo el control de seguridad por exceso de temperatura no hubiese funcionado correctamente. Si se activa este fusible térmico, el calefactor no se restablecerá y deberá ser reparado por un electricista matriculado.

## INSTRUCCIONES DE MANTENIMIENTO

Es importante mantener limpio este calefactor. Su calefactor le brindará años de servicio y comodidad con solo cuidados mínimos. Para asegurar el funcionamiento eficiente siga estas simples instrucciones.

### ⚠ ADVERTENCIA ⚠

CUALQUIER REPARACIÓN MÁS ALLÁ DE UNA SIMPLE LIMPIEZA, QUE REQUIERA DESMONTAR EL CALEFACTOR, DEBE SER REALIZADA POR UN ELECTRICISTA MATRICULADO.

### ⚠ ADVERTENCIA ⚠

DESCARGAS ELÉCTRICAS O LESIONES, DESCONECTE LA ALIMENTACIÓN DEL CALEFACTOR DESDE EL TABLERO DE DISTRIBUCIÓN PRINCIPAL Y VERIFIQUE QUE EL ELEMENTO ESTÉ FRÍO ANTES DE REPARARLO O REALIZAR TAREAS DE MANTENIMIENTO.

#### Instrucciones de limpieza:

1. Luego de que el calefactor se haya enfriado, utilice una aspiradora con un cepillo para eliminar el polvo y pelusas de las superficies exteriores del calefactor incluyendo las aberturas de la rejilla.
2. Con un paño húmedo limpie el polvo y las pelusas de la rejilla y las superficies exteriores.
3. Vuelva a encender el calefactor y verifique su correcto funcionamiento.

#### Instrucciones de limpieza para mantenimiento:

*(Solo puede ser realizada por electricistas matriculados)*

Al menos una vez al año, el calefactor deberá ser limpiado y revisado por un electricista matriculado para asegurar un funcionamiento seguro y eficiente. Este proceso deberá incluir la remoción de la rejilla y, de ser necesario, del calefactor de la caja posterior para eliminar los residuos del interior de la unidad. Una vez finalizada la limpieza y la revisión, el calefactor se deberá montar nuevamente y verificar su correcto funcionamiento.

### GARANTÍA LIMITADA

Todos los productos fabricados por Marley Engineered Products están garantizados contra defectos de fabricación y de materiales por 1 año desde la fecha de instalación. Esta garantía no se aplica a daños debidos a accidente, mal uso o alteración, ni a los casos en que la tensión eléctrica conectada supere a la tensión nominal -indicada en la placa de características- en más de 5 %, ni a equipos que hayan sido instalados o cableados incorrectamente, o mantenidos en forma que no cumpla lo indicado en las instrucciones de instalación del producto. Todo reclamo por trabajos en garantía debe acompañarse con una prueba de la fecha de instalación.

El cliente será responsable de todos los costos incurridos en el retiro o reinstalación de productos, incluyendo los costos de mano de obra y los costos de envío incurridos para regresar productos a un Centro de Servicio de Marley Engineered Products. Dentro de las limitaciones de esta garantía, las unidades que no funcionan deben regresarse al centro de servicio autorizado Marley más cercano, o al Centro de Servicio de Marley Engineered Products, y nosotros lo repararemos o reemplazaremos, a nuestra opción, sin cargo para usted, con el flete de retorno pagado por Marley. Se acuerda que tal reparación o reemplazo es el único recurso que Marley Engineered Products pone a su disposición.

LAS GARANTÍAS EXPUESTAS MÁS ARRIBA TOMAN EL LUGAR DE TODA OTRA GARANTÍA, EXPRESA O IMPLÍCITA, Y POR LA PRESENTE SE DECLINA Y EXCLUYE DE ESTE ACUERDO TODA GARANTÍA IMPLÍCITA DE COMERCIABILIDAD Y ADECUACIÓN A UN PROPÓSITO PARTICULAR QUE EXCEDA LAS GARANTÍAS EXPRESAS ANTEDICHAS. MARLEY ENGINEERED PRODUCTS NO SE HARÁ RESPONSABLE POR DAÑOS CONSIGUIENTES QUE SE PRODUZCAN CON RESPECTO AL PRODUCTO, EN BASE YA SEA A NEGLIGENCIA, AGRAVIO, RESPONSABILIDAD ESTRUCTIVA, O CONTRATO.

Algunos estados o jurisdicciones no permiten la exclusión o limitación de daños incidentales o consiguientes, de modo que la exclusión o limitación expresada más arriba puede no aplicarse a su caso. Esta garantía le da derechos legales específicos, y usted puede tener también otros derechos, que varían de un estado o jurisdicción a otro.

Para obtener la dirección de su centro de servicio autorizado más cercano comuníquese con Marley Engineered Products en Bennettsville, SC, Estados Unidos, llamando al 1-800-642-4328. Toda mercadería regresada a la fábrica debe ser acompañada por una autorización de retorno y una etiqueta de identificación de servicio, disponibles ambas en Marley Engineered Products. Cuando solicite la autorización de retorno, incluya todos los números de catálogo mostrados en los productos.

#### CÓMO OBTENER SERVICIO EN GARANTÍA, PIEZAS DE REPUESTO E INFORMACIÓN GENERAL

- |  |  |
|--|--|
| 1. Servicio o repuestos en garantía    | 1-800-642-4328   |
| 2. Compra de repuestos                 | 1-800-654-3545   |
| 3. Información general sobre productos | <a href="http://www.marleymep.com">www.marleymep.com</a> |

**Nota:** cuando solicite servicio, siempre dé la información que sigue:

1. Número de modelo del producto
2. Fecha de fabricación
3. Número de parte o descripción

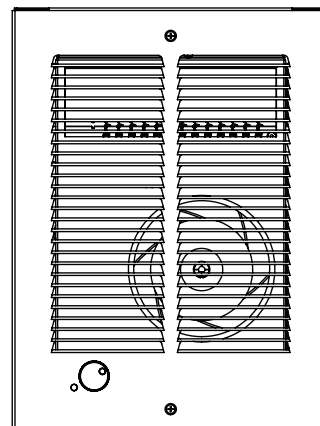


**Marley®**  
Engineered Products

470 Beauty Spot Rd. East  
Bennettsville, SC 29512 USA



## Série FFC Radiateurs muraux à air pulsé



## Instructions d'installation, d'utilisation et d'entretien

Tableau 1 - Spécifications

MODÈLE	VOLTAJE	WATTS/AMPS	WATTS/AMPS*
FFC1512	120	1500W/12.5A	750W/6.3A
FFC1012	120	1000W/8.3A	500W/4.2A
FFC1548	240	1500W/6.3A	750W/3.1A
	208	1125W/5.4A	563W/2.7A
FFC1048	240	1000W/4.2A	500W/2.1A
	208	750W/3.6A	375W/1.8A
FFC2048	240	2000W/8.3A	1000W/4.2A
	208	1500W/7.2A	750W/3.6A

### DISPOSITIF CLIP-N-FIT®

Dispositif CLIP-N-FIT® breveté (brevet pour les USA N° 6,172,343) permettant à l'installateur de choisir une puissance sur le site. Câblés en usine pour pleine puissance, convertibles sur le terrain à demi-puissance. L'option demi-puissance est un changement permanent conforme aux exigences de nombreuses normes électriques locales.

\* Radiateurs câblés en usine pour pleine puissance, convertibles sur site à demi-puissance.

## INSTRUCTIONS IMPORTANTES

### AVERTISSEMENT

LORS DE L'UTILISATION D'APPAREILS ÉLECTRIQUES, DES PRÉCAUTIONS DE BASE DOIVENT TOUJOURS ÊTRE SUIVIES AFIN DE RÉDUIRE LE RISQUE DE DÉPART D'INCENDIE, DE COMMOTION ÉLECTRIQUE ET DE BLESSURES AUX PERSONNES, INCLUANT CELLES QUI SUIVENT :

- Lisez toutes les instructions avant d'installer ou d'utiliser le radiateur.
- Ce radiateur est chaud quand il est en fonctionnement. Pour éviter des brûlures, ne laissez pas de peau nue toucher ses surfaces chaudes. Maintenez les matières combustibles comme le mobilier, les oreillers, la literie, les papiers, les vêtements et les couvertures, à au moins 3 pieds (90 cm) de distance de l'avant du radiateur.
- Il faut faire très attention quand un radiateur quelconque est utilisé par des enfants ou des personnes invalides ou près d'eux, et à chaque fois que le radiateur est laissé en marche sans surveillance.
- N'utilisez plus un radiateur s'il a présenté des dysfonctionnements. Débranchez son alimentation au panneau de distribution du secteur et faites-le inspecter par un bon électricien avant de le réutiliser.
- Ne l'utilisez pas à l'extérieur.
- Pour déconnecter le radiateur, passez sa commande sur arrêt (Off) et coupez le secteur en amont au panneau de distribution.
- N'insérez pas d'objets étrangers, et ne permettez pas qu'il en entre, dans toute ouverture d'admission ou d'évacuation, car cela peut causer une commotion électrique ou un départ d'incendie, ou endommager le radiateur.
- Pour éviter un possible départ d'incendie, n'obstruez en aucune façon les admissions et les échappements d'air.
- Un radiateur comporte à l'intérieur des parties chaudes, et pouvant produire un arc ou des étincelles électriques. Ne l'utilisez pas dans des zones où de l'essence ou des liquides inflammables sont utilisés ou entreposés.
- N'utilisez ce radiateur que comme c'est décrit dans ce manuel. Toute autre utilisation non recommandée par le constructeur peut causer un départ d'incendie, une commotion électrique ou des blessures corporelles.
- Ce radiateur est fourni avec un contrôle automatique de dépassement de limite qui le coupe en cas de surchauffe. Si vous retrouvez le radiateur arrêté, inspectez-le pour chercher des objets quelconques sur ou près de lui qui auraient pu bloquer son flux d'air et donc provoquer son élévation de température, et ôtez-les pour faire cesser une surchauffe. Référez-vous à la section sur les Instructions d'entretien dans ce manuel pour restaurer ce contrôle de sécurité.
- Ce radiateur est prévu pour des applications de chauffage de confort, et n'est pas conçu pour une utilisation dans des endroits spéciaux. Ne l'utilisez pas dans des lieux humides ou mouillés, tels que dans un contexte marin ou une serre, ou dans des endroits où il y a présence d'agents corrosifs ou chimiques.
- Lors de l'installation, voyez les INSTRUCTIONS D'INSTALLATION pour des mises en gardes et précautions supplémentaires.
- Pour un fonctionnement sûr et efficace, et pour prolonger sa durée de service, gardez votre radiateur propre – Voyez les INSTRUCTIONS D'ENTRETIEN.

## CONSERVEZ CES INSTRUCTIONS

# INSTRUCTIONS D'INSTALLATION

## ⚠ AVERTISSEMENT ⚠

Pour éviter un possible départ d'incendie, des blessures corporelles ou des dommages au radiateur, respectez ces consignes :

1. Débranchez toute alimentation secteur arrivant au panneau de service principal avant de câbler ou d'intervenir pour du service.
2. Toutes les procédures de câblage et les raccordements doivent être en conformité avec la norme électrique américaine (NEC) et les normes locales applicables, et le radiateur doit être relié à la terre.
3. L'alimentation électrique entre dans le boîtier arrière par les trous à enfoncer sur le côté GAUCHE du boîtier. N'utilisez pas les trous à enfoncer du côté droit du boîtier (voir la Figure 1).
4. Vérifiez que la tension du secteur arrivant au radiateur correspond bien aux valeurs spécifiées sur sa plaque signalétique.

**ATTENTION:** ALIMENTER LE RADIATEUR AVEC UNE TENSION DÉPASSANT LA VALEUR IMPRIMÉE SUR LA PLAQUE SIGNALÉTIQUE ENDOMMAGERA LE RADIATEUR ET ANNULERA SA GARANTIE, ET CELA PEUT PROVOQUER UN DÉPART D'INCENDIE.

5. **ATTENTION** - Température élevée et risque de départ d'incendie, gardez les cordons électriques, les draperies et textiles d'intérieur, et d'autres matières combustibles, à au moins 3 pieds (90 cm) de l'avant du radiateur. N'installez pas le radiateur derrière des portes, sous des porte-serviettes ou dans une zone où il est susceptible d'être bloqué par des meubles, des rideaux ou des matériaux de rangement. L'air chaud venant du radiateur peut endommager certains tissus et plastiques.
6. Pour réduire le risque de départ d'incendie, n'entreposez pas et n'utilisez pas d'essence ou d'autres produits inflammables sous forme de liquide ou de vapeurs à proximité du radiateur.
7. Les écartements suivants doivent être respectés :  
 Bas du radiateur au sol - 4-1/2" (114 mm) – hauteur optimale de 18" à 24" (457-610 mm).  
 Côtés du radiateur à mur adjacent - 6" (152 mm) - minimum optimal de 12" (305 mm).  
 Haut du radiateur au plafond - 12" (305 mm) – recommandation d'au moins 36" (914 mm).
8. Ne faites pas fonctionner le radiateur sans que sa grille soit en place.
9. N'utilisez pas ce radiateur pour faire sécher de la peinture, du plâtre. De la sciure ou de la poussière de ponçage de cloison sèche endommagerait de façon permanente le radiateur, qui doit être tenu à l'écart.

## Positionnement du boîtier arrière dans une construction neuve

**REMARQUE:** Si la finition de surface du mur est déjà faite, suivez les instructions pour "Installation du boîtier arrière dans une construction existante".

1. Prévoyez l'épaisseur de la surface finie au moment de l'installation du boîtier arrière. Le rebord du boîtier arrière doit arriver juste au niveau de la surface finie finale.
2. Déterminez quel côté du boîtier arrière doit être placé contre un poteau mural, et courbez les pattes aux angles arrière à 90° de façon à ce que le boîtier arrière soit d'équerre avec le poteau après l'installation.
3. Enlevez une pastille à enfoncer sur le côté **GAUCHE** du boîtier arrière, et installez un connecteur pour câble ou conduite.
4. Positionnez le boîtier arrière contre le côté de poteau avec des clous ou des vis comme c'est montré en Figure 1.

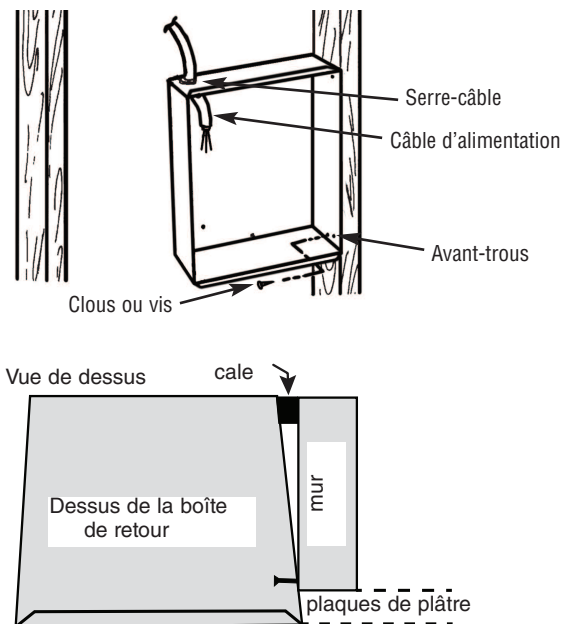


Figure 1

**REMARQUE:** Le boîtier arrière doit être installé contre un poteau mural et fixé avec des clous ou des vis comme c'est montré en Figure 1.

5. Passez le câble d'alimentation au travers du connecteur, en laissant environ 6" (152 mm) de fil à l'intérieur du boîtier.
6. Reliez le fil de terre du câble d'alimentation au fil de terre vert fourni.

## Positionnement du boîtier arrière dans une construction ancienne

1. Le rebord du boîtier arrière doit arriver juste au niveau de la surface finie finale. (Voir la Figure 1).
2. Découpez soigneusement une ouverture de 7-7/8" (200 mm) de large sur 10" (255 mm) de long. Un bord de l'ouverture doit être coupé le long du côté d'un poteau mural.
3. Passez le câble d'alimentation jusqu'à l'emplacement du radiateur en laissant au moins 10" (255 mm) pour le raccordement.
4. Enlevez la pastille à enfoncer sur le côté gauche du boîtier arrière.
5. Installez un serre-câble sur câble d'alimentation et installez-le sur le boîtier arrière, en laissant environ 6" (152 mm) de fil à l'intérieur du boîtier pour le raccordement.
6. Reliez le fil de terre du câble d'alimentation au fil de terre vert fourni.
7. Placez le boîtier arrière dans l'ouverture de montage du mur, en insérant d'abord l'extrémité du boîtier avec câble, puis en faisant pivoter le boîtier en place.
8. Fixez le boîtier au poteau mural en utilisant des clous ou des vis.

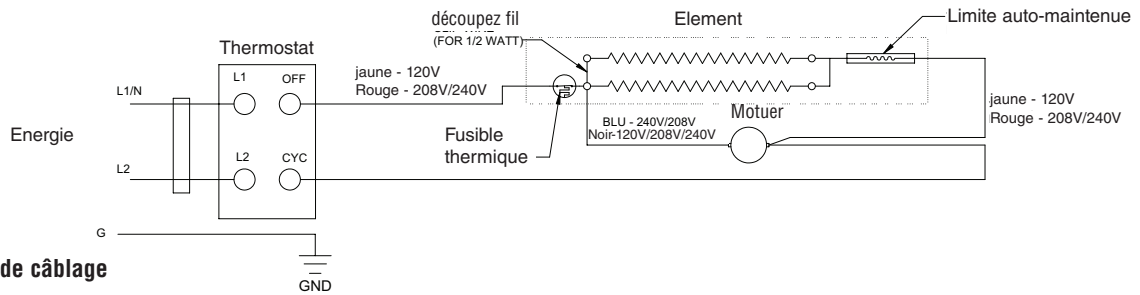


Figure 2 Schéma de câblage

**REMARQUE:** Les radiateurs sont câblés en usine selon les indications de tension et puissance de la plaque signalétique. Référez-vous au Tableau 1 pour les détails. Voyez la section "POUR CHANGER LA PUISSANCE DE SORTIE" si moins de watts sont désirés, et effectuez le changement avant d'installer la plate-forme de radiateur.

### Installation et câblage d'ensemble radiateur / ventilateur

**REMARQUE:** Pour des installations à une altitude dépassant 7 500 pieds (2 286 m) au-dessus du niveau de la mer, nous recommandons d'utiliser des radiateurs de moins de 1 500 watts de puissance.

1. En suivant le schéma de câblage (Figure 2), reliez les fils d'alimentation aux fils du radiateur dans le boîtier arrière, en utilisant des con

**REMARQUE:** Pour les radiateurs en 120 V, connectez le fil blanc de neutre d'alimentation sur le fil blanc du radiateur (ou un fil de couleur marqué d'un "N"), et le fil noir de phase d'alimentation sur le fil noir du radiateur.

Pour les radiateurs en 208 /240 V (avec deux fils de phase secteur), si un des fils d'arrivée est blanc, changez sa couleur en enroulant autour de la bande adhésive noire d'électricien, car la plupart des normes électriques demandent que les fils d'alimentation soient noirs et non blancs. Branchez les deux fils de phase noirs sur les fils noirs (ou un noir et un rouge) du radiateur.

2. Fixez le fil de terre de l'arrivée d'alimentation sous la vis verte de terre du boîtier arrière, (ou sur un fil vert de terre s'il ya lieu).
3. Entrez l'ensemble de radiateur / ventilateur dans le boîtier arrière, en vous assurant que tout le câblage est positionné à l'écart du ventilateur et de l'élément de chauffe, et fixez-le en place avec deux (2) vis fournies au travers des fentes centrales dans les côtés de l'ensemble de ventilateur.

### POUR CHANGER LA PUISSANCE DE SORTIE

Le Tableau 3 ci-dessous montre les puissances en watts par modèle. Chaque radiateur est câblé en usine à sa capacité de puissance maximale. Les deux dernières colonnes du tableau se rapportent aux cavaliers sur le. Pour changer la puissance, débranchez le cavalier 1 ou le cavalier 2 comme montré au Tableau 3 ci-dessous. Enlevez complètement les cavaliers en les pinçant des deux côtés aussi près que possible de la carte.

### Installation du couvercle frontal (Grille) et du bouton de thermostat

1. Fixez le couvercle frontal à l'ensemble de radiateur en utilisant les deux (2) vis longues fournies.

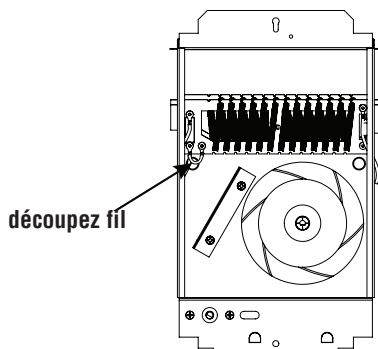


Figure 3 - découpez emplacement de fil

2. Installez le bouton de thermostat sur la tige de thermostat (s'il y a lieu) et poussez-le en place.

## INSTRUCTIONS D'UTILISATION

1. Le radiateur doit être correctement installé avant d'être mis en marche.
2. Une fois le radiateur complètement assemblé, tournez le bouton de thermostat complètement en sens antihoraire jusqu'à la butée. C'est le réglage de consigne minimale de température.
3. Mettez le radiateur en marche (ON) au panneau de commande principal.
4. Le radiateur ne doit pas démarrer. S'il démarrait coupez son alimentation et revérifiez le câblage.
5. Tournez le thermostat en sens horaire complètement jusqu'à la butée.
6. Radiateur et ventilateur doivent s'activer. Si ce n'est pas le cas, débranchez l'alimentation et vérifiez le câblage.
7. Laissez le radiateur continuer de fonctionner jusqu'à ce que la température de la pièce atteigne le niveau confortable souhaité. Tournez alors le bouton du thermostat en sens antihoraire jusqu'à l'obtention d'un dé clic.
8. Il peut être nécessaire de réajuster le thermostat une ou deux fois jusqu'à ce que la température exacte de confort soit obtenue. Une rotation en sens horaire va augmenter la durée pendant laquelle le radiateur va chauffer. Une rotation en sens antihoraire va réduire la durée de fonctionnement du radiateur.

**REMARQUE:** Pour obtenir les meilleurs résultats, le radiateur doit rester en marche (ON) en permanence durant la saison de chauffage, du fait que le thermostat quand il est bien réglé maintiendra la température désirée. Mis en position antihoraire à fond, le radiateur restera arrêté jusqu'à ce que la température ambiante retombe bien au delà du niveau de gel.

### Comment restaurer le fonctionnement – Contrôle de sécurité sur température :

Le radiateur est fourni avec un contrôle de sécurité, qui le coupera en cas de surchauffe. Quand ce contrôle se déclenche, un voyant d'alerte rouge, visible au travers de la grille, va s'allumer pour prévenir le propriétaire que le radiateur a été coupé et nécessite une intervention.

**⚠ AVERTISSEMENT ⚠**  
NE TOUCHEZ PAS ET NE CONTOURNEZ PAS LES LIMITES DE SÉCURITÉ À L'INTÉRIEUR DU RADIATEUR

1. Passez le radiateur à l'arrêt (OFF) ET arrêtez son alimentation en amont au disjoncteur pendant au moins 10 minutes afin de le laisser refroidir et faire que le contrôle se restaure.
2. Quand le radiateur a refroidi, vérifiez s'il a été bloqué ou s'il est très sale, car ces conditions provoquent une surchauffe. Éliminez les éventuels blocages et/ou référez-vous à la section **Nettoyage du radiateur** pour des instructions de nettoyage s'il est sale.
3. Rétablissez l'alimentation électrique en amont, remettez le thermostat au point de consigne voulu, et vérifiez le bon fonctionnement du radiateur.

4. Si le radiateur est de nouveau défaillant, et que son voyant rouge s'allume, coupez l'alimentation électrique en amont et faites inspecter le radiateur par un électricien qualifié.

### CAUTION ⚠

NE CONTINUEZ PAS D'ESSAYER D'UTILISER LE RADIATEUR SI SON CONTRÔLE THERMIQUE SE DÉCLENCHE À RÉPÉTITION APRÈS SA RESTAURATION. EN LE FAISANT VOUS POURRIEZ L'ENDOMMAGER DE FAÇON IRRÉMÉDIABLE OU CAUSER UN DÉPART D'INCENDIE OU DES RISQUES POUR LA SÉCURITÉ.

**Note spéciale:** En plus d'un contrôle thermique sur surchauffe, le radiateur est fourni avec un fusible thermique de secours (un seul usage) qui coupera le radiateur de façon permanente si pour une quelconque raison le contrôle de thermique sur surchauffe n'avait pas fonctionné comme prévu. Si ce fusible thermique grille, le radiateur ne se restaurera pas et il faudra le faire réparer par une personne qualifiée.

## INSTRUCTIONS D'ENTRETIEN

Il est important de garder propre le radiateur. Votre radiateur vous fournira des années de bon service et de confort avec juste un minimum de soins. Pour assurer son fonctionnement efficace, suivez les instructions simples ci-dessous :

### ⚠ WARNING ⚠

TOUTE INTERVENTION DE SERVICE AU-DELÀ D'UN SIMPLE NETTOYAGE, QUI NÉCESSITE UN DÉMONTAGE, DEVRA ÊTRE RÉALISÉE PAR DU PERSONNEL DE SERVICE QUALIFIÉ.

#### GARANTIE LIMITÉE

Tous les produits fabriqués par Marley Engineered Products sont garantis contre des défauts dus à la main d'œuvre et aux matériaux pendant un an à partir de la date d'installation, sauf les éléments de chauffe qui sont garantis de la même façon pendant cinq ans. Cette garantie ne s'applique pas pour des dommages résultant d'accident, de mésusage ou d'altération ; ni si la tension secteur envoyée fait 5 % ou plus au-dessus de la tension nominale de la plaque signalétique ; ni sur l'équipement est incorrectement installé ou câble, en violation avec les instructions d'installation. Toutes les demandes d'exercice de la garantie devront être accompagnées de la preuve de date d'installation.

Le client doit être responsable de tous les coûts occasionnés pour le démontage ou la réinstallation des produits, incluant les coûts de main-d'œuvre, et les coûts d'expédition pour renvoyer les produits au centre de service de Marley Engineered Products. Dans le cadre des limitations de cette garantie, les unités ne fonctionnant pas doivent être renvoyées au centre de service agréé Marley le plus proche, ou directe au centre de service de Marley Engineered Products, où ils seront réparés ou remplacés, à notre choix, sans frais pour vous avec le port de retour payé par Marley. Il est convenu que cette réparation ou ce remplacement sera le seul remède à attendre de Marley Engineered Products.

LES GARANTIES QUI PRÉCÈDENT TIENNENT LIEU DE TOUTES LES AUTRES GARANTIES, EXPLICITES OU IMPLICITES, ET TOUTES LES GARANTIES IMPLICITES DE VALEUR MARCHANDE ET D'ADÉQUATION POUR UNE FINALITÉ SPÉCIFIQUE QUI EXCÉDERAIT LES DISPOSITIONS DE GARANTIE PRÉCÉDEMMENT ÉNONCÉES SONT ICI REJETÉES ET EXCLUES DE CET ACCORD. MARLEY ENGINEERED PRODUCTS NE SERA PAS TENU POUR RESPONSABLE DES DOMMAGES CONSÉCUTIFS SURVENANT EN RELATION AVEC LE PRODUIT, QU'ILS SOIENT À BASE DE NÉGLIGENCE, TORT, RESPONSABILITÉ PURE OU CONTRACTUELLE.

Certaines provinces ne permettent pas l'exclusion ou la limitation des dommages consécutifs ou annexes, de ce fait l'exclusion ou la limitation qui précède peut ne pas s'appliquer à votre cas. Cette garantie vous donne des droits légaux spécifiques, qui varient d'une province à l'autre.

Pour obtenir l'adresse de votre centre de service agréé le plus proche, contactez Marley Engineered Products à Bennettsville, SC, USA, au 1-800-642-4328. Toute marchandise retournée à l'usine doit être accompagnée d'une autorisation de renvoi et d'une étiquette d'identification pour le service, ces deux documents étant disponibles auprès de Marley Engineered Products. En demandant une autorisation de retour, fournissez tous les numéros de catalogue indiqués sur les produits.

#### COMMENT OBTENIR DU SERVICE ET DES PIÈCES DANS LE CADRE DE LA GARANTIE ET DES INFORMATIONS GÉNÉRALES

1. Service ou pièces sous garantie **1-800-642-4328**
2. Achat de pièces de remplacement **1-800-654-3545**
3. Informations générales sur les produits **www.marlymep.com**

**Remarque :** Pour obtenir le service sous garantie vous devez toujours avoir préparé :

1. Référence de modèle du produit
2. Date de fabrication
3. Numéro ou description de pièce

### ⚠ WARNING ⚠

POUR RÉDUIRE LE RISQUE DE DÉPART D'INCENDIE ET DE COMMOTION ÉLECTRIQUE OU DE BLESSURE, DÉBRANCHEZ TOUTE ALIMENTATION ÉLECTRIQUE ALLANT AU RADIATEUR EN AMONT AU PANNEAU DE SERVICE, ET VÉRIFIEZ QUE L'ÉLÉMENT DE CHAUFFE EST FROID AVANT D'INTERVENIR POUR DU SERVICE OU DE L'ENTRETIEN.

#### Instructions de nettoyage par l'utilisateur:

1. Une fois que le radiateur est froid, vous pouvez utiliser un aspirateur avec son accessoire brosse pour éliminer la poussière et les peluches des surfaces extérieures du radiateur, y compris les ouvertures de la grille.
2. Avec un chiffon humide, enlevez poussière et peluche de la grille et des surfaces extérieures.
3. Remettez le radiateur sous tension et vérifiez son bon fonctionnement.

#### Instructions de nettoyage d'entretien:

*(Ne doit être exécuté que par du personnel de service qualifié)*

Au moins une fois par an le radiateur doit être nettoyé et vérifié par une personne de service qualifiée afin d'assurer un fonctionnement sûr et efficace. Cela doit inclure la dépose de la grille et si nécessaire la sortie du radiateur du boîtier arrière, afin de nettoyer les résidus de l'appareil. Une fois le nettoyage et le service terminés, le radiateur doit être complètement remonté et son bon fonctionnement vérifié.



470 Beauty Spot Rd. East  
Bennettsville, SC 29512 USA