



SELECTABLE  
COLOR  
TEMPERATURE

Item#: **94021**  
**LED TONE-SELECT™ OUTDOOR  
MOTION SECURITY LIGHT**  
OUTDOOR NON-CUTOFF AND SEMI-CUTOFF  
WALL-MOUNTED AREA LUMINAIRES

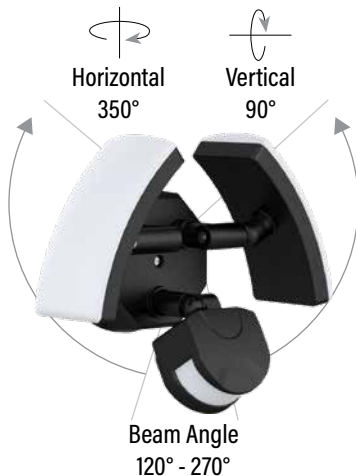
**FEATURES**

- Selectable color temperature
- Adjustable Motion Sensor Sensitivity
- 3 Fixtures in 1
  - » Night Security Light with motion sensor
  - » Dusk-to-Dawn area light
  - » On/off area light (w/sensors deactivated)
- Easy installation; surface or wall mount

**APPLICATION**

Entry way, perimeter and security lighting in a wide variety of commercial, industrial and residential applications.

**ADJUSTABLE LIGHTING DIRECTION**



**ELECTRICAL**

Wattage	26W
Voltage	120-277V
Current	0.27A
Power Factor	0.9
Total Harmonic Distortion (THD)	≤20%

**LIGHTING PERFORMANCE**

Lumens	2730-3000
Lumens Per Watt (Lm/W)	105-115
Color Temperature (CCT)	3000K / 4000K / 5000K
Color Rendering (CRI)	80
Detection Distance (Feet)	39' - 60'
Ambient Light Sensitivity (Foot-candle)	10FC (On) / 30FC (Off)
Beam Angle	120° - 270°
Light Distribution	--
BUG Rating (Backlight, Uplight, and Glare)	--

Dimmable Lighting Control



**ENVIRONMENT**

Operating Temperature	-4° ~ 113°F
Suitable Location	<b>WET</b>
Ingress Protection Rating	--
Impact Resistance Rating	IK06

**LIFESPAN**

Average Life (Hours)	50,000
Warranty (Years)	<b>3</b>

**COMPONENTS**

LED Light Source	SMD 2835
------------------	----------

**CONSTRUCTION**

Housing	PC
Lens	PC
Base / Power Supply	Hard Wired
Finish	Black

**QUALIFICATIONS**

Model Number	LTS-26W-PS-3CCT-B
--------------	-------------------



Published lumens on LED products are approximate and may vary slightly. • Specifications are subject to change without notice.

PERFORMANCE DATA

Item#: **94021**  
**LED TONE-SELECT™ OUTDOOR MOTION SECURITY LIGHT**

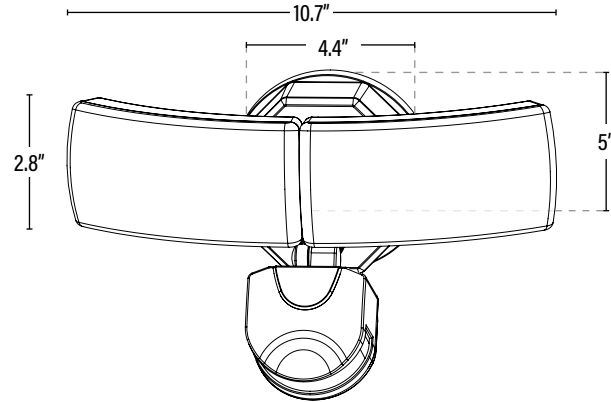


**DIMENSIONS** (Inches)

Length	10.7"
Width	5"
Height	--
Net Weight (Lbs)	1.4

**SUPPORTING DOCUMENTS** (Grey = not available at this time.)

Product Sheet	VIEW
Install Instructions	VIEW
IES Download from Web Item	VIEW
Photometric Refer to Web Item	VIEW
LM79	VIEW
LM80	VIEW



**PACKAGING**

		UPC	DIMENSIONS (LxWxH)	GROSS WEIGHT (Lbs)
Master Carton	12	10811768026679	24.4" x 15.8" x 20.5"	25.4
Individual Box	1	811768026672		2.1
Country of Origin	China			
HS Tariff	--			

**ORDERING** Qualification Model # LTS-26W-PS-3CCT-B

ITEM#	DESCRIPTION	CASE
94021	LED TONE-SELECT™ OUTDOOR MOTION SECURITY LIGHT 26W - 30/40/50K/120-277V/BLACK - SUPERIOR LIFE®	12

**ADDITIONAL INFORMATION:**

Please refer to the install instructions for detailed information on mounting and sensor functions.

- Installation height should not be lower than 6FT and not higher than 15FT, for best motion sensor performance.
- Detection distance can change by adjusting the sensor to different angles and degrees, besides the sensor sensitivity settings.
- Fixture can be customized to work as a; light & motion sensor, dusk to dawn fixture, or normal light.

ITEM INFORMATION