

LED LINEAR T8 PLUG & GO™ - 918XX

INSTALL INSTRUCTIONS



DO NOT INSTALL THIS LAMP IN A PRE-HEAT LUMINAIRE.

THIS LAMP ONLY OPERATES ON ELECTRONIC BALLASTS. IF LAMP DOES NOT LIGHT WHEN THE LUMINAIRE IS ENERGIZED, REMOVE LAMP FROM LUMINAIRE AND CONTACT LAMP MANUFACTURER OR QUALIFIED ELECTRICIAN.

CAUTION RISK OF FIRE - IF THE LAMP OR LUMINAIRE EXHIBITS UNDESIRABLE OPERATION (BUZZING, FLICKERING, ETC.), IMMEDIATELY TURN OFF POWER, REMOVE LAMP FROM LUMINAIRE AND CONTACT MANUFACTURER.

SAFETY INFORMATION

- Check the lamp before installation, if there is any damage caused during transportation, do not install.
- Maintenance should be carried out by qualified personnel only.
- Do not stare at the light source with bare eyes for a long time, or beam into another persons eyes.
- Do not place any objects on the lamp.
- Keep the lamp away from flame or high temperature objects.
- Risk of electrical shock. Only replace with same type of LED tube.
- If the glass lamp tube is broken, the lamp must be disposed of immediately.

MAINTENANCE NOTES

- Disconnect lamp from power supply before any maintenance.
- Clean luminaire with dry cloth.
- Do not clean the lamp with corrosive chemicals.
- FOR EMERGENCY LIGHTING ONLY WITH BALLAST - Listed (FTBR/7), PHILIPS EMERGENCY LIGHTING (E49328), Model B50 (Alternate RS), Rated 120/277V - 50/60Hz, Damp Location Fluorescent Emergency Ballast.
- Ensure the temperature of the Tc point is under 131°F after the lamp has been working properly for 2 hours, otherwise performance of lamp might not comply with specifications.

This product may cause interference to radio equipment and should not be installed near maritime safety communications equipment or other critical navigation or communication equipment operating between 0.45-30 MHz.



SAFETY PRECAUTIONS

WARNING: Risk of Shock. Disconnect power before installation.

LED T8 lamp for use only with products described and installed in accordance with product specifications. LED T8 lamp to be operated with fluorescent electronic ballast, emergency ballasts and dimming ballast.

WARNING: RISK OF FIRE, USE ONLY IN PLACE OF FLUORESCENT LAMPS SPECIFIED ON LABEL. RISK OF ELECTRIC SHOCK. SUITABLE FOR DAMP LOCATIONS.

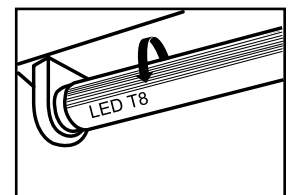
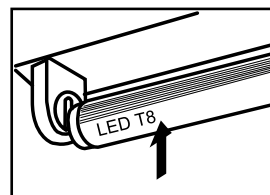
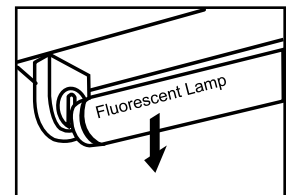
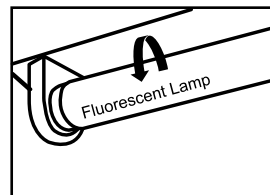
Check ballast compatibility list before installation, only use lamp with qualified T8 fluorescent ballast.

! WARNING DISCONNECT POWER BEFORE INSTALLING OR SERVICING.

1. Make sure power is OFF.
2. Remove lens or diffuser (if applicable).
3. Remove existing fluorescent lamps from the luminaire.
4. Bring LED lamp to luminaire and insert lamp pins into luminaire lampholders.
5. Rotate LED lamp until lamp locks in place. Ensure that the LED lamp front points away from the back of the luminaire.

Note: Install one LED T8 replacement lamp for each fluorescent lamp removed.

6. Place lens or diffuser back in place (if applicable).
7. Power On.



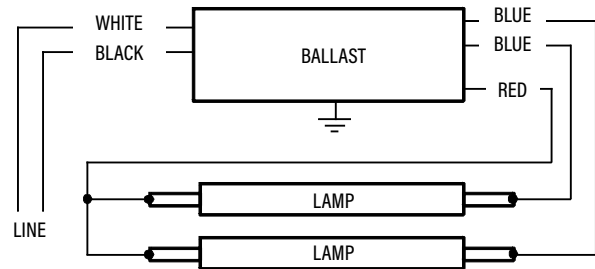
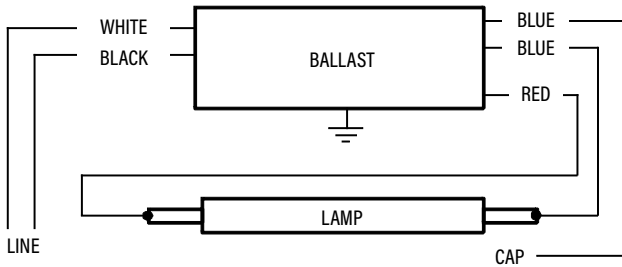
LED LINEAR T8 PLUG & GO™ - 918XX

INSTALL INSTRUCTIONS

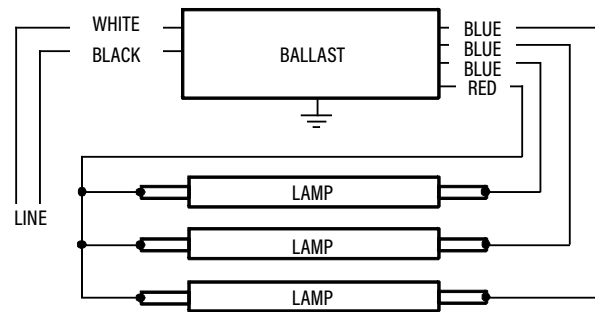
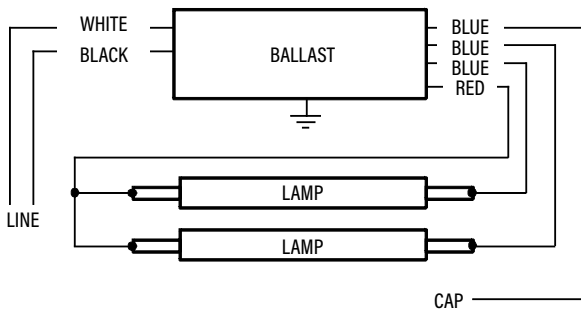


INSTANT START BALLAST WIRING DIAGRAMS - CORRECT

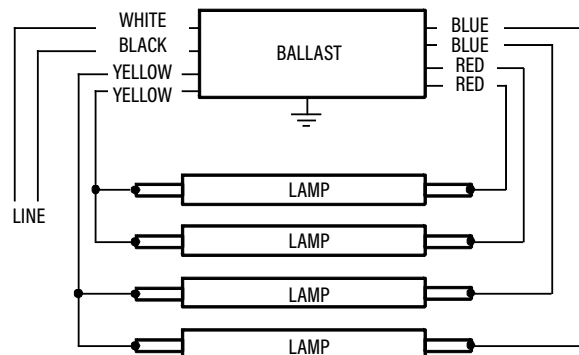
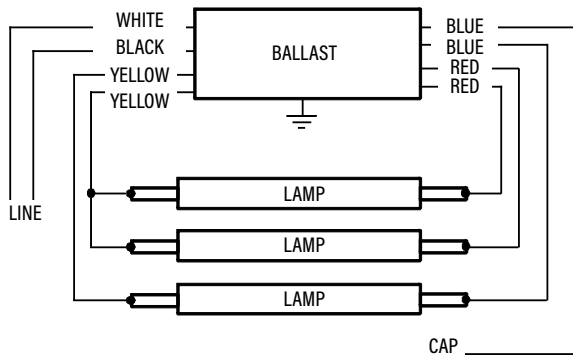
- TWO LAMP BALLAST WIRING - CORRECT



- THREE LAMP BALLAST WIRING - CORRECT



- FOUR LAMP BALLAST WIRING - CORRECT



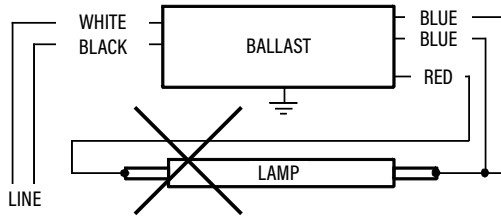
LED LINEAR T8 PLUG & GO™ - 918XX

INSTALL INSTRUCTIONS

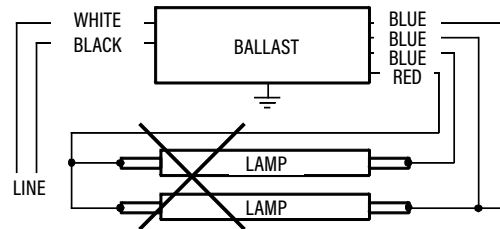
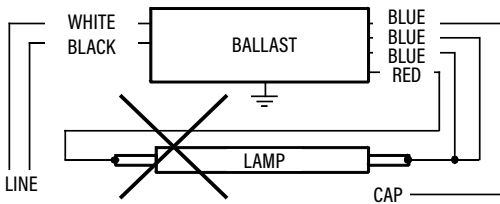
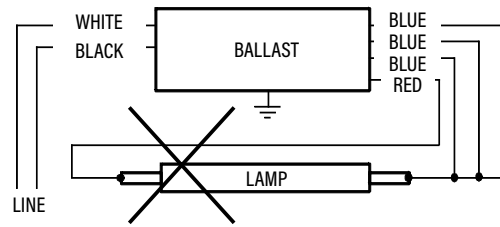
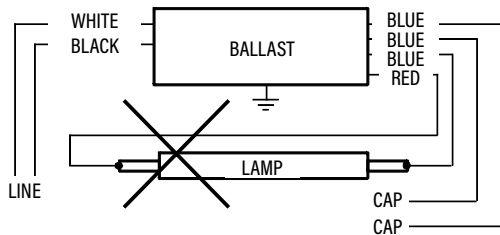


INSTANT START BALLAST WIRING DIAGRAMS • INCORRECT

• TWO LAMP BALLAST WIRING • INCORRECT



• THREE LAMP BALLAST WIRING • INCORRECT



• FOUR LAMP BALLAST WIRING • INCORRECT

