



Item#: **90306**
LED COMPASS HIGH BAY
 HIGH-BAY LUMINAIRES FOR COMMERCIAL AND INDUSTRIAL BUILDINGS

FEATURES

- Die cast aluminum for better heat dissipation
- Dust proof and anti-corrosive
- Modern design
- High efficiency driver with built-in surge protection

APPLICATION

Ideal for commercial and industrial applications; malls, warehouses, factories, retail stores, athletic facilities, workshops, airports, and large areas.

PERFORMANCE DATA

ELECTRICAL

Wattage	248W
Voltage	100-277V
Power Factor	0.9
Total Harmonic Distortion (THD)	4.6

LIGHTING PERFORMANCE

Lumens	35856
Lumens Per Watt (Lm/W)	145
Color Temperature (CCT)	5000K
Color Rendering (CRI)	85
R9 (Red Value)	17
Beam Angle	110°
Light Distribution	Type VS
BUG Rating (Backlight, Uplight, and Glare)	B5 - U3 - G1
Dimmable Lighting Control	<i>Dimmable</i> 0-10V, Range 10% - 100%

ENVIRONMENT

Operating Temperature	-22°~ 122°F
Suitable Location	WET
Ingress Protection Rating	IP65

LIFESPAN

Average Life (Hours)	50,000
Warranty (Years)	5

COMPONENTS

LED Light Source	Seoul
Driver	LF-FHB240YAIV

CONSTRUCTION

Housing	Aluminum
Lens	PC
Base / Power Supply	Hard Wired
Finish	Black

QUALIFICATIONS

Model Number	CHB3-240-D-MV-50K
--------------	-------------------



Published lumens on LED products are approximate and may vary slightly. - Specifications are subject to change without notice.

Item#: **90306**
LED COMPASS HIGH BAY

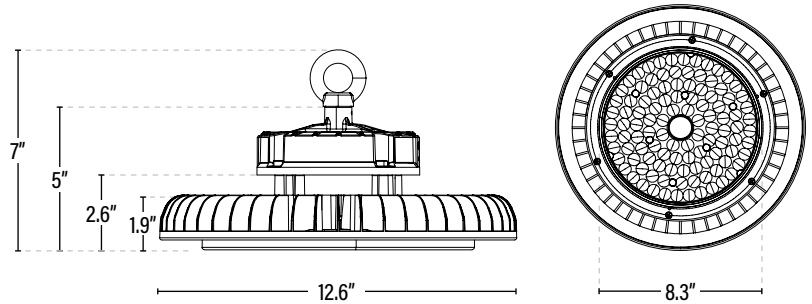


DIMENSIONS (Inches)

Width/Diameter (MOD)	12.6"
Height	7"
Net Weight (Lbs)	--

SUPPORTING DOCUMENTS (Grey = not available at this time.)

Product Sheet	VIEW
Install Instructions	VIEW
IES Download from Web Item	VIEW
LM79	VIEW
LM80	VIEW



ITEM INFORMATION

PACKAGING

	UPC	DIMENSIONS (LxWxH)	GROSS WEIGHT (Lbs)
Master Carton	1	811768021325	--
Country of Origin	China		
HS Tariff	9405.10.6020		

ORDERING Qualification Model # CHB3-240-D-MV-50K

ITEM#	DESCRIPTION	CASE
90306	LED COMPASS HIGH BAY 240W/50K/100-277V/DIMMABLE/V3 - SUPERIOR LIFE®	1

ACCESSORIES

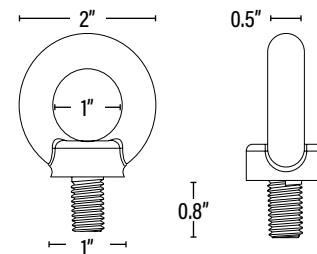
90372	ADJUSTABLE ANGLE MOUNTING BRACKET FOR COMPASS HIGH BAY - SUPERIOR LIFE®	20
90370	MICROWAVE MOTION SENSOR FOR COMPASS HIGH BAY/100-277V 1-10V DIMM/KIT	10
90360	16" ALUMINUM REFLECTOR FOR COMPASS HIGH BAY - SUPERIOR LIFE®	1
90362	16" ACRYLIC REFLECTOR FOR COMPASS HIGH BAY - SUPERIOR LIFE®	1
90363	16" ACRYLIC BOTTOM LENS FOR ACRYLIC REFLECTOR FOR COMPASS HIGH BAY - SUPERIOR LIFE®	1
90396	78" WATERPROOF CONNECTOR AND CORD/BLACK 18AWG/300V - SUPERIOR LIFE®	50

REPLACEMENT PARTS

903814	M12 REPLACEMENT EYELET FOR LED COMPASS HIGH BAYS	1
LF-FHB240YAIV	240W REPLACEMENT DRIVER	1

ADDITIONAL INFORMATION:

- Safety rope length approximately 5' 9"
- Power and dimming cord length approximately 72"
- Multiple screw holes are conveniently placed throughout the top of the fixture to connect occupancy sensors and reflectors.



M12
Eyelet Dimensions