



Item#: **84534**  
**LED BULLET FLOOD**  
 ARCHITECTURAL FLOOD AND SPOT  
 LUMINAIRES

**FEATURES**

- Durable, die casting aluminum
- Excellent thermal management for a long life
- Bronze powder coat finish, corrosion and weather resistant.
- High-Temperature silicon gaskets to keep out moisture and environmental contaminants.

**APPLICATION**

Landscape lighting and wall washing.

PERFORMANCE DATA

**ELECTRICAL**

Wattage	29.1W
Voltage	100-277V
Current	0.3A
Power Factor	0.9
Total Harmonic Distortion (THD)	15

**LIGHTING PERFORMANCE**

Lumens	3780
Lumens Per Watt (Lm/W)	130
Color Temperature (CCT)	3000K
Color Rendering (CRI)	70
R9 (Red Value)	--
R13 (Skin Tones)	--
Beam Angle	60°
Light Distribution	Very Short, Type I
BUG Rating (Backlight, Uplight, and Glare)	B3 - U1 - G0
Dimmable Lighting Control	

**ENVIRONMENT**

Operating Temperature	-22° ~ 104°F
Suitable Location	<b>WET</b>
Ingress Protection Rating	IP65

**LIFESPAN**

Average Life (Hours)	50,000
Warranty (Years)	<b>5</b>

**COMPONENTS**

LED Light Source	Seoul 3030
Driver	--

**CONSTRUCTION**

Housing	Aluminum
Base / Power Supply	Hard Wired
Finish	Bronze

**QUALIFICATIONS**



Visit [www.designlights.org/search](http://www.designlights.org/search) to confirm qualification. • Published lumens on LED products are approximate and may vary slightly. • Specifications are subject to change without notice.

Item#: **84534**  
**LED BULLET FLOOD**

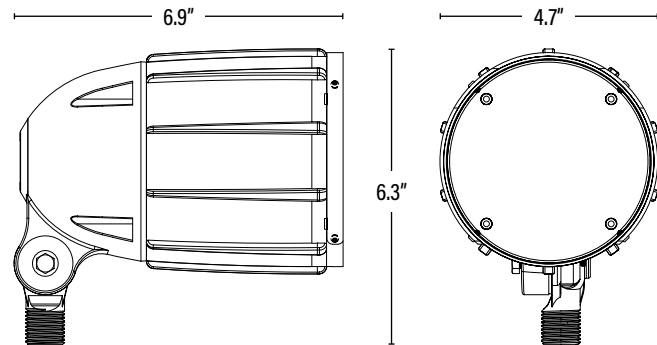


**DIMENSIONS** (Inches)

Length	6.9'
Width/Diameter	4.7"
Height	6.3"
Net Weight (Lbs)	2.8

**SUPPORTING DOCUMENTS** (Grey = not available at this time.)

Product Sheet	VIEW
Install Instructions	VIEW
IES Download from Web Item	VIEW
LM79	VIEW
LM80	VIEW



**PACKAGING**

		UPC	DIMENSIONS (LxWxH)	GROSS WEIGHT (Lbs)
Master Carton	8	10811768025795	15.3" x 14.2" x 17.7"	27.7
Individual Box	1	811768025798	--	3.5
Country of Origin	China			
HS Tariff	--			

**ORDERING**

ITEM#	DESCRIPTION	CASE
84534	LED 30W BULLET/FL/30K/100-277V/V2 - SUPERIOR LIFE® DLC®	8

ITEM INFORMATION